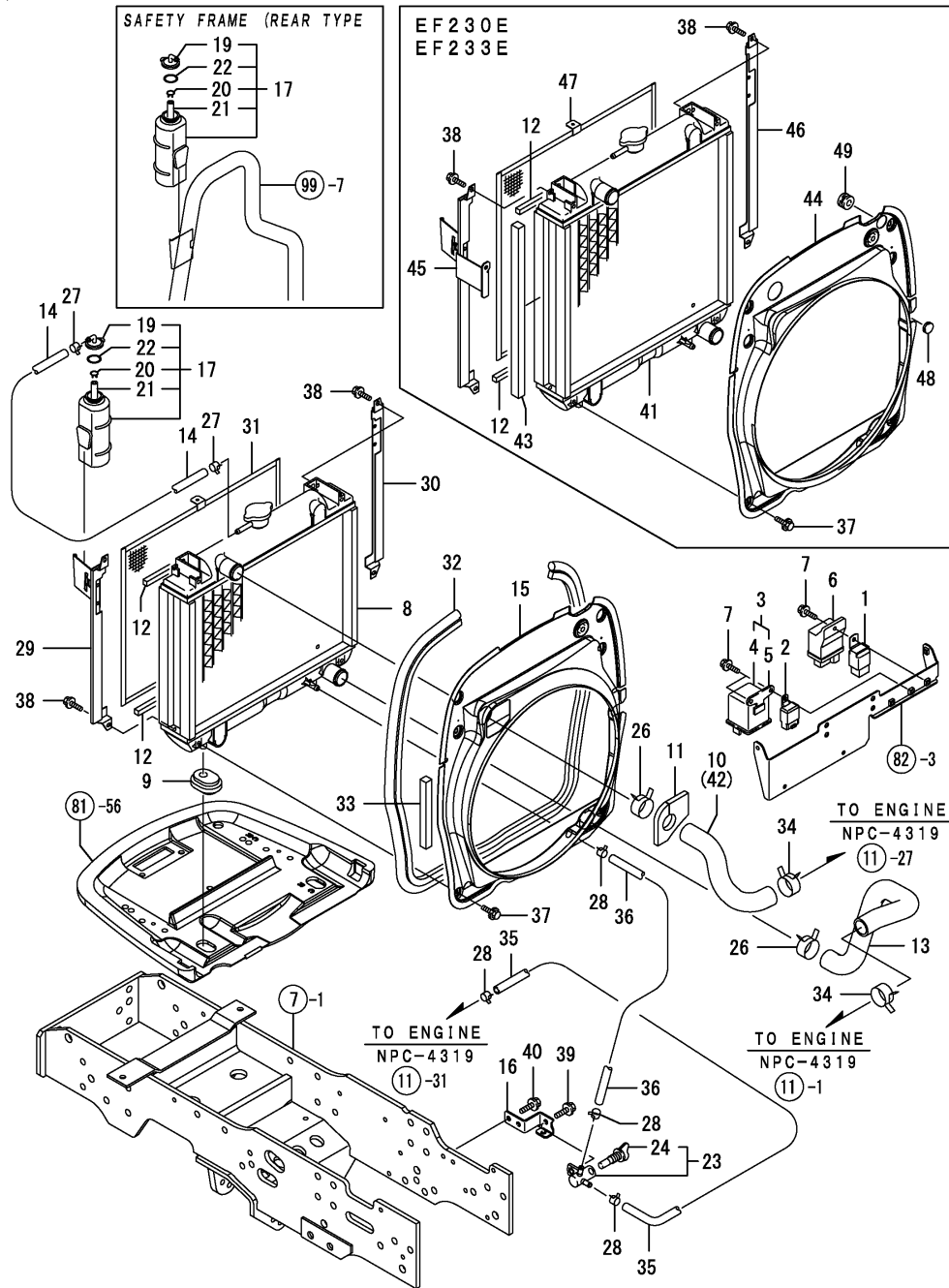


Fig.1. ENGINE ACCESSORIES

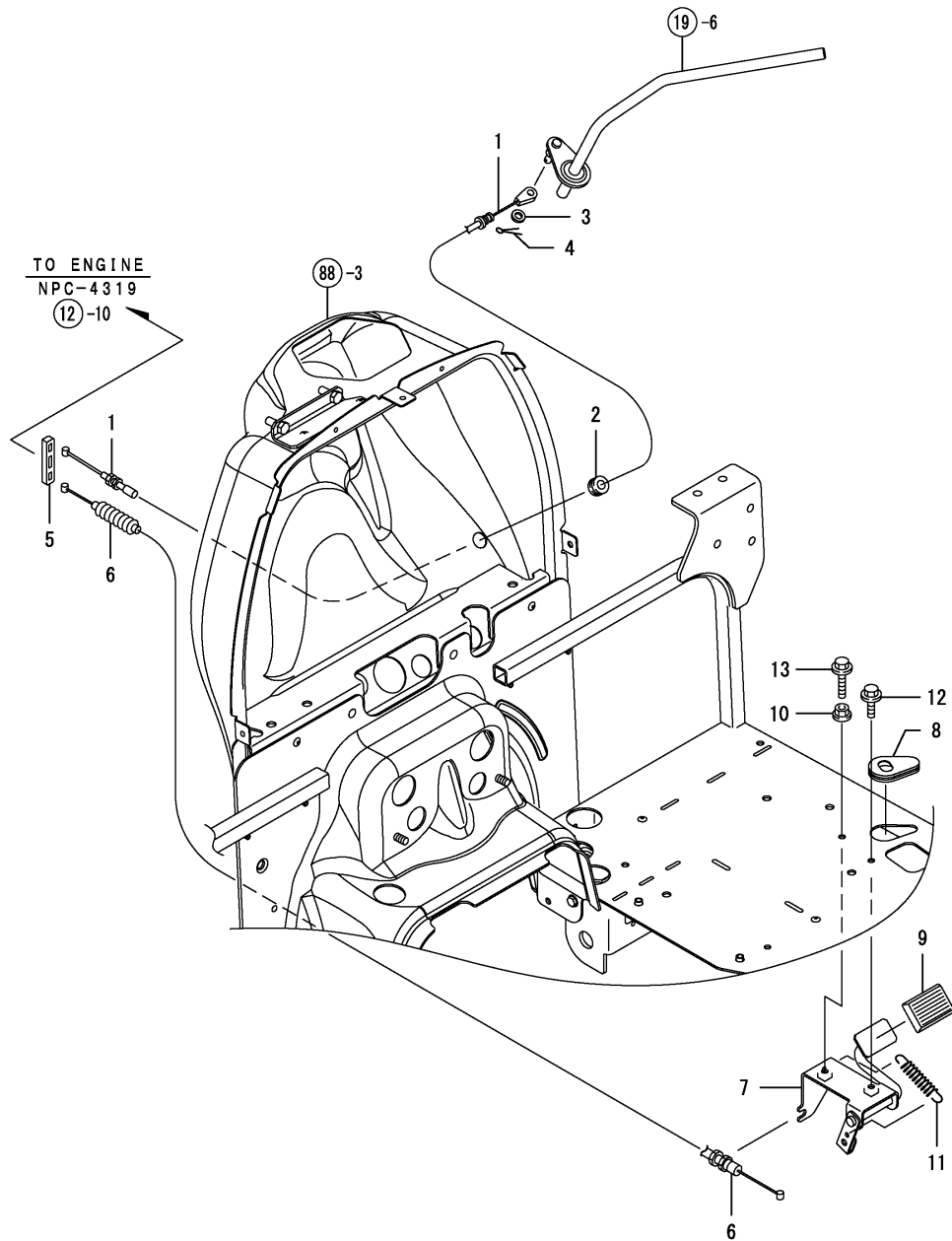


(A)=EF227E
(B)=EF230E
(C)=EF233E

(D)=
(E)=
(F)=

REF.	LEV.	PARTS NO.	DESCRIPTION	QTY						I	R
				(A)	(B)	(C)	(D)	(E)	(F)		
1	1	198220-52180	RELAY, STARTER	1	1	1					
2	1	198461-52950	RELAY CA,TYPE C	1	1	1					
3	1	119650-77910	RELAY, GROW	1	1	1					
4	2	129052-77920	BODY, RELAY	1	1	1					
5	2	119650-77930	BRACKET, RELAY	1	1	1					
6	1	119852-77910	CONTROLLER,QHS	1	1	1					
7	1	26106-060162	BOLT M 6X 16 PLATED	3	3	3					
8	1	119852-44500	RADIATOR ASSY	1							
9	1	198200-00610	RUBBER, ABSORBER	2	2	2					
10	1	198200-01410	HOSE, COOLING WATER	1							
11	1	198200-01430	SEAL, WATER HOSE	1							
12	1	198200-01440	SEAL,RADIATOR	2	2	2					
13	1	198208-01451	HOSE, COOLING WATER	1	1	1					
14	1	198280-01470	PIPE,WATER DRAIN	1	1	1					
15	1	198200-01510	SHROUD ASSY, FAN	1							
16	1	198200-11351	STAY ASSY, FILTER	1	1	1					
17	1	129263-44510	TANK ASSY, SUB	1	1	1					
19	2	121450-44531	CAP	1	1	1					
20	2	124450-44560	CLAMP	1	1	1					
21	2	23065-070180	PIPE 7X 180	1	1	1					
22	2	121470-44581	GASKET	1	1	1					
23	1	129150-49101	COCK ASSY, 3-WAY	1	1	1					
24	2	129150-49081	COCK, DRAIN	1	1	1					
26	1	175022-49730	CRIP 31, HOSE	2	2	2					
27	1	124766-59050	CLAMP 12	2	2	2					
28	1	124766-59050	CLAMP 12	4	4	4					
29	1	198200-60710	GUIDE ASSY, SCREEN L	1							
30	1	198200-60760	GUIDE, SCREEN R	1							
31	1	198200-60950	SCREEN, RADIATOR	1							
32	1	198200-61950	WEATHER-STRIP, A	1	1	1					
33	1	198200-61980	SEAL, RADIATOR LH	1	1	1					
34	1	23000-035000	CLAMP 35	2	2	2					
35	1	23980-730250	HOSE 7.3X800 BRAIDED	1	1	1					
36	1	23980-730510	HOSE, 7.3 X 510	1	1	1					
37	1	26106-060122	BOLT M 6X 12 PLATED	4	4	4					
38	1	26106-060122	BOLT M 6X 12 PLATED	4	4	4					
39	1	26106-080162	BOLT M 8X 16 PLATED	1	1	1					
40	1	26106-080162	BOLT M 8X 16 PLATED	2	2	2					
41	1	129055-44501	RADIATOR ASSY	1	1	1					
42	1	198208-01410	HOSE, COOLING WATER	1	1						
43	1	198208-01480	URETHANE FOAM,RADIAT	2	2						
44	1	198208-01510	SHROUD ASSY, FAN	1	1						
45	1	198206-60710	GUIDE ASSY, SCREEN L	1	1						
46	1	198206-60760	GUIDE, SCREEN R	1	1						
47	1	198206-60950	SCREEN, RADIATOR	1	1						
48	1	198448-61620	CAP,	1	1						
49	1	194180-61980	GROMMET 24	1	1						

Fig.2. ACCEL LEVER & FOOT ACCELERATOR



0CNP4-G43700 2. ACCEL LEVER & FOOT ACCELERATOR

(A)=EF227E
(B)=EF230E
(C)=EF233E

(D)=
(E)=
(F)=

REF.	LEV.	PARTS NO.	DESCRIPTION	Q'TY						I	R
				(A)	(B)	(C)	(D)	(E)	(F)		
1	1	198200-01150	CABLE, CONTROL	1	1	1					
2	1	198071-58810	GROMMET 8	1	1	1					
3	1	22137-060000	WASHER 6, POLISHED	1	1	1					
4	1	22417-160180	COTTER PIN 1.6X18	1	1	1					
5	1	198071-01160	RUBBER,WIRE RETAINING	1	1	1					
6	1	198200-01210	CABLE, CONTROL	1	1	1					
7	1	198200-01300	CONTROL UNIT, FOOT	1	1	1					
8	1	198071-01390	GROMMET	1	1	1					
9	1	1W3981-14050	RUBBER	1	1	1					
10	1	194990-22130	NUT W/WASHER 6	1	1	1					
11	1	198360-55630	SPRING,RETURN	1	1	1					
12	1	26106-060122	BOLT M 6X 12 PLATED	1	1	1					
13	1	26106-060402	BOLT M 6X 40 PLATED	1	1	1					

Fig.3. EXHAUST

(A)=EF227E
(B)=EF230E
(C)=EF233E

(D)=
(E)=
(F)=

REF.	LEV.	PARTS NO.	DESCRIPTION	Q'TY						I	R
				(A)	(B)	(C)	(D)	(E)	(F)		
1	1	198200-03110	PIPE, EXHAUST	1							
2	1	198280-05510	PLATE, SHUTTER	1	1	1					
3	1	129052-13550	GASKET,NOZZLE	1	1	1					
4	1	194990-22140	NUT W/WASHER 8	2	2	2					
5	1	22157-080000	WASHER 8	1	1	1					
6	1	26106-080162	BOLT M 8X 16 PLATED	1	1	1					
7	1	26106-080252	BOLT M 8X 25 PLATED	2	2	2					
8	1	198208-03111	PIPE, EXHAUST	1	1						

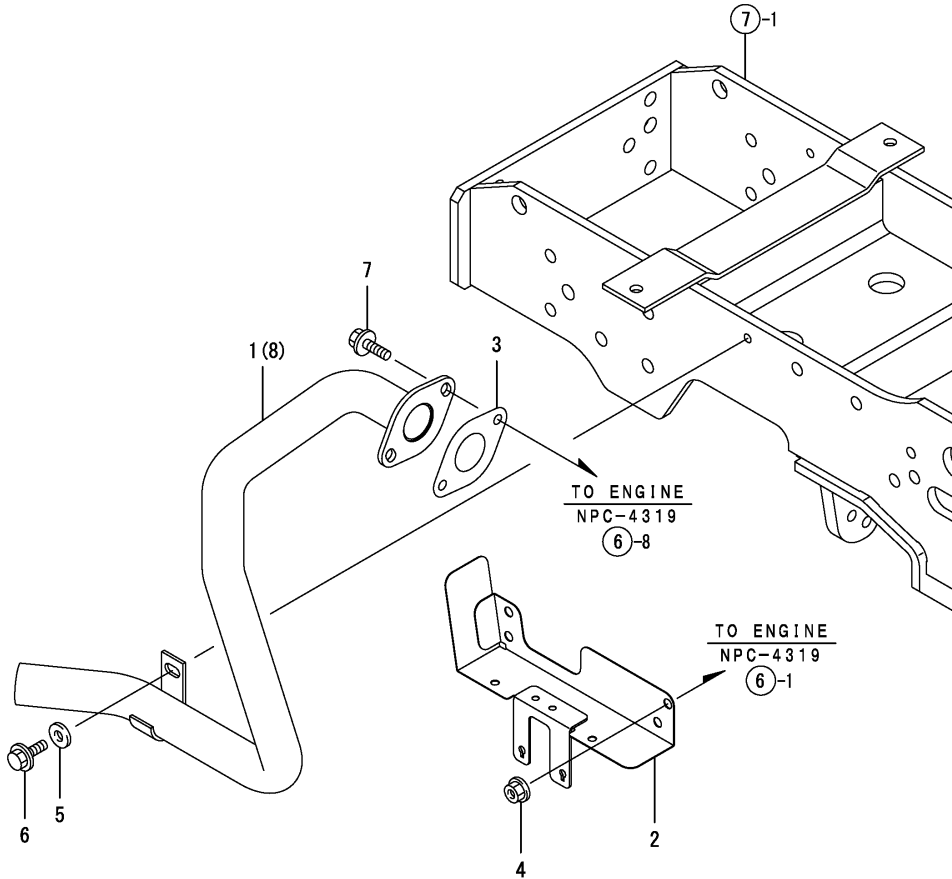
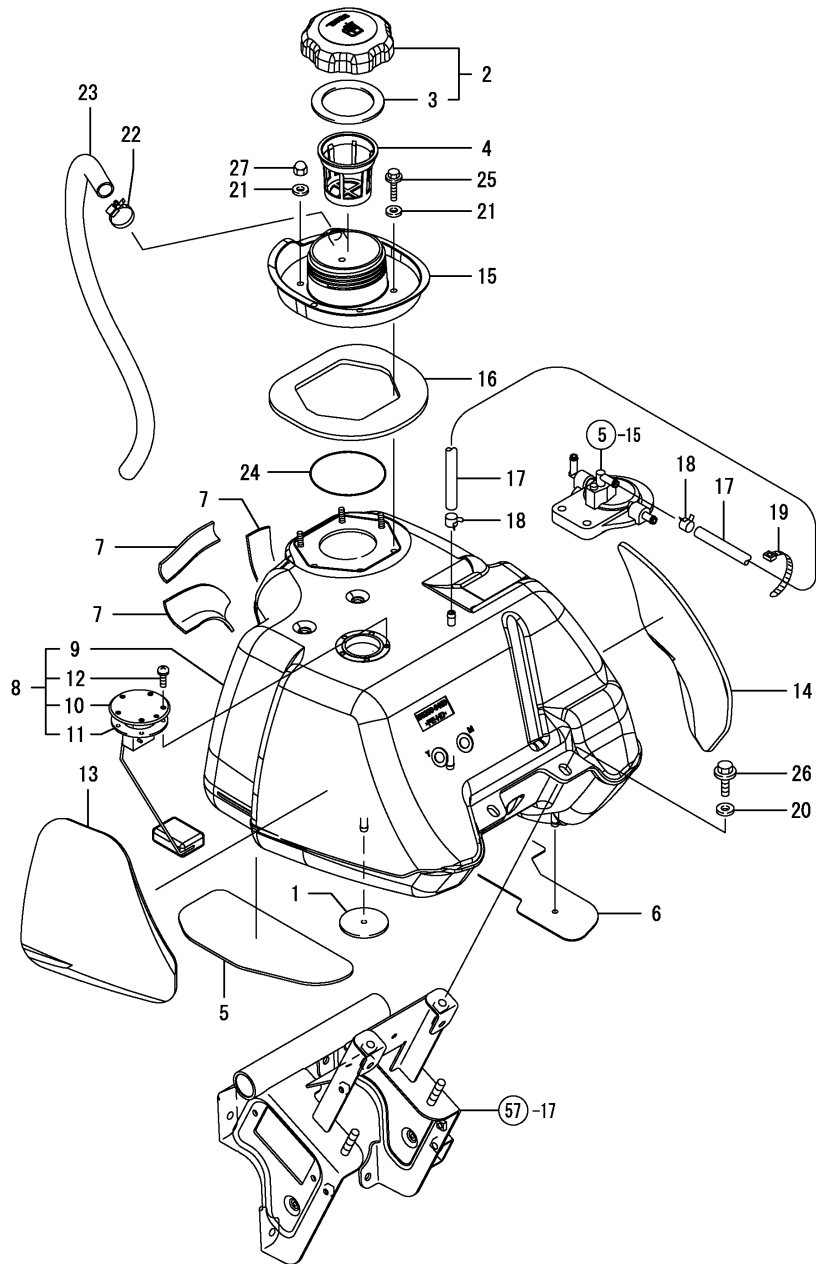


Fig.4. FUEL TANK



OCNP4-G43700 4. FUEL TANK

(A)=EF227E

(B)=EF230E

(C)=EF233E

(D)=

(E)=

(F)=

REF.	LEV.	PARTS NO.	DESCRIPTION	Q'TY						I	R
				(A)	(B)	(C)	(D)	(E)	(F)		
1	1	198200-04020	INSULATOR,TANK LOWER	1	1	1					
2	1	198200-04030	CAP ASSY,FILLER	1	1	1					
3	2	198200-04040	GASKET,FILLER CAP	1	1	1					
4	1	198200-04061	STRAINER,	1	1	1					
5	1	198200-04070	INSULATOLOR,TANK LWR	1	1	1					
6	1	198200-04080	INSULATOLOR,TANK LWR	1	1	1					
7	1	198200-04090	CUSHION(TANK,F	3	3	3					
8	1	198200-04101	TANK ASSY, FUEL	1	1	1					
9	2	198200-04111	TANK, FUEL	1	1	1					
10	2	198200-56600	SENDER UNIT,	1	1	1					
11	2	198200-56630	GASKET, FUEL GAUGE	1	1	1					
12	2	26022-050102	SCREW M 5X 10	5	5	5					
13	1	198200-04120	CUSHION, TANK L	1	1	1					
14	1	198200-04130	CUSHION, TANK R	1	1	1					
15	1	198200-04210	PAN, DRIP	1	1	1					
16	1	198200-04260	GASKET, DRIP PAN	1	1	1					
17	1	198200-04270	HOSE, AIR VENT	1	1	1					
18	1	124766-59050	CLAMP 12	2	2	2					
19	1	1E6102-84970	BAND 140,WIRE LOCK	1	1	1					
20	1	22157-080000	WASHER 8	2	2	2					
21	1	22190-060000	SEAL WASHER 6(BOLT)	6	6	6					
22	1	23000-019000	CLAMP 19	1	1	1					
23	1	23065-160650	PIPE 16X 600	1	1	1					
24	1	24311-000850	O-RING 1A P-85.0	1	1	1					
25	1	26106-060252	BOLT M 6X 25 PLATED	3	3	3					
26	1	26106-080162	BOLT M 8X 16 PLATED	2	2	2					
27	1	26657-060002	CAP NUT M 6	3	3	3					

Fig.5. FUEL PIPE

(A)=EF227E

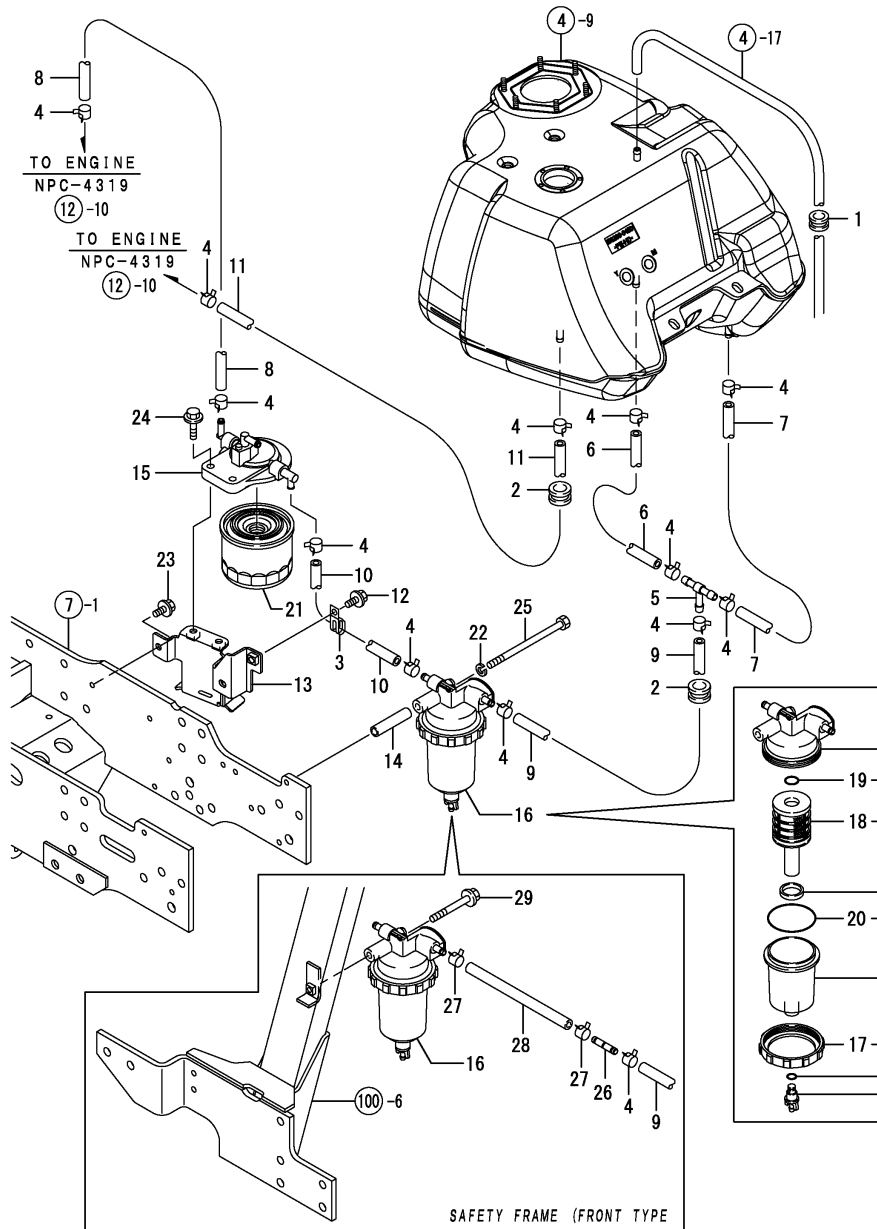
(B)=EF230E

(C)=EF233E

(D)=

(E)=

(F)=



REF.	LEV.	PARTS NO.	DESCRIPTION	Q'TY						I	R
				(A)	(B)	(C)	(D)	(E)	(F)		
1	1	1E8050-05510	GROMMET 12X3,SLITTED	1	1	1					
2	1	194170-51210	GROMMET 25	2	2	2					
3	1	194440-51620	CLAMP, WIRE HARNESS	1	1	1					
4	1	124766-59050	CLAMP 12	12	12	12					
5	1	119629-59910	JOINT, 3-WAY	1	1	1					
6	1	23980-730060	HOSE, 7.3 X 60	1	1	1					
7	1	23980-730180	HOSE, 7.3 X 180	1	1	1					
8	1	23980-730340	HOSE	1	1	1					
9	1	23980-730400	FUEL PIPE 7.3X400	1	1	1					
10	1	23980-730500	FUEL PIPE 7.3X500	1	1	1					
11	1	23980-730730	HOSE, 7.3X730	1	1	1					
12	1	26106-080122	BOLT M 8X 12 PLATED	1	1	1					
13	1	198200-11250	STAY ASSY, FILTER	1	1	1					
14	1	198280-11370	COLLAR	1	1	1					
15	1	119852-55611	BRACKET, FILTER	1	1	1					
16	1	119802-55700	SEPARATOR ASSY	1	1	1					
17	2	129100-55690	RING, RETAINING	1	1	1					
18	2	119802-55710	ELEMENT	1	1	1					
19	2	24311-000160	O-RING 1A P-16.0	1	1	1					
20	2	24321-000650	O-RING 1A G-65.0	1	1	1					
21	1	119802-55800	FILTER, FUEL	1	1	1					
22	1	22217-080000	SPRING WASHER 8	1	1	1					
23	1	26106-080162	BOLT M 8X 16 PLATED	2	2	2					
24	1	26106-080252	BOLT M 8X 25 PLATED	2	2	2					
25	1	26116-081302	BOLT M 8X130 PLATED	1	1	1					
26	1	198280-04470	JOINT	1	1	1					1
27	1	124766-59050	CLAMP 12	2	2	2					1
28	1	23980-730180	HOSE, 7.3 X 180	1	1	1					1
29	1	26106-080652	BOLT M 8X 65 PLATED	1	1	1					1

Remarks
 (1) FOR TYPE SAFETY FRAME (FRONT

Fig.6. AIR CLEANER

(A)=EF227E

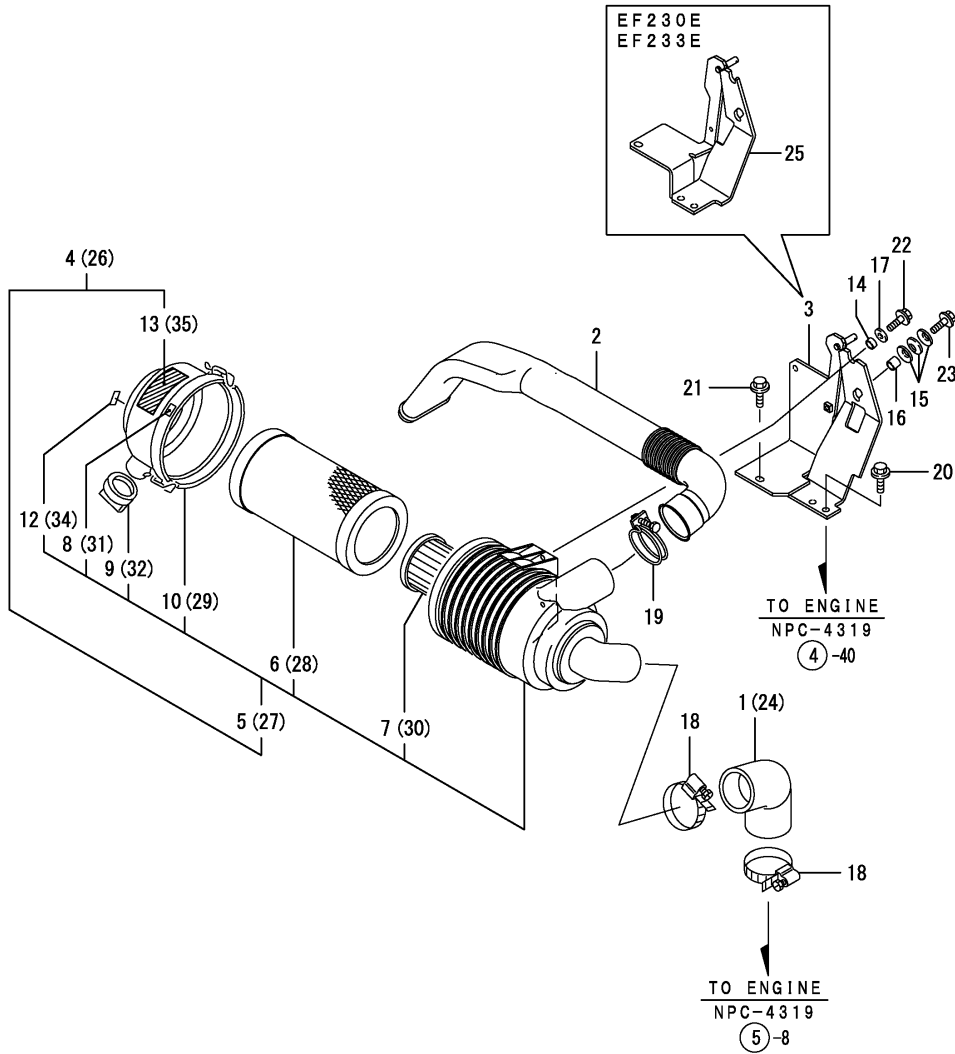
(B)=EF230E

(C)=EF233E

(D)=

(E)=

(F)=



REF.	LEV.	PARTS NO.	DESCRIPTION	Q'TY						I	R
				(A)	(B)	(C)	(D)	(E)	(F)		
1	1	198200-06010	HOSE, AIR INTAKE	1							
2	1	198200-06150	PIPE, INTAKE	1	1	1					
3	1	198280-06200	BRACKET, AIR CLEANER	1							
4	1	198280-06300	CLEANER M ASSY,AIR	1							
5	2	119852-12510	CLEANER ASSY, AIR	1							
6	3	119808-12520	ELEMENT, OUTER	1							
7	3	129051-12530	ELEMENT, INNER	1							
8	3	129418-12530	MARK	1							
9	3	119808-12540	VALVE, UNLOADER	1							
10	3	119866-12540	COVER ASSY	1							
12	3	129612-12650	MARKING,(W)	1							
13	2	198163-65930	CAUTION,MUFFLER	1							
14	1	198280-06410	COLLAR	1	1	1					
15	1	198072-18320	SPRING 12	3	3	3					
16	1	198092-71720	COLLAR, 8.1X10.5X9.3	1	1	1					
17	1	22157-080000	WASHER 8	1	1	1					
18	1	23000-070000	CLAMP 70	2	2	2					
19	1	23010-055000	CLAMP 55	1	1	1					
20	1	26106-080122	BOLT M 8X 12 PLATED	2	2	2					
21	1	26106-080162	BOLT M 8X 16 PLATED	1	1	1					
22	1	26106-080162	BOLT M 8X 16 PLATED	1	1	1					
23	1	26106-080202	BOLT M 8X 20 PLATED	1	1	1					
24	1	198208-06010	HOSE, AIR INTAKE	1	1	1					
25	1	198287-06200	BRACKET, AIR CLEANER	1	1	1					
26	1	198287-06300	CLEANER M ASSY,AIR	1	1	1					
27	2	129055-12510	CLEANER ASSY, AIR	1	1	1					
28	3	119808-12520	ELEMENT, OUTER	1	1	1					
29	3	119866-12530	COVER ASSY	1	1	1					
30	3	129051-12530	ELEMENT, INNER	1	1	1					
31	3	129418-12530	MARK	1	1	1					
32	3	119808-12540	VALVE, UNLOADER	1	1	1					
34	3	129612-12650	MARKING,(W)	1	1	1					
35	2	198163-65930	CAUTION,MUFFLER	1	1	1					

Fig.7. FRONT BLACKET

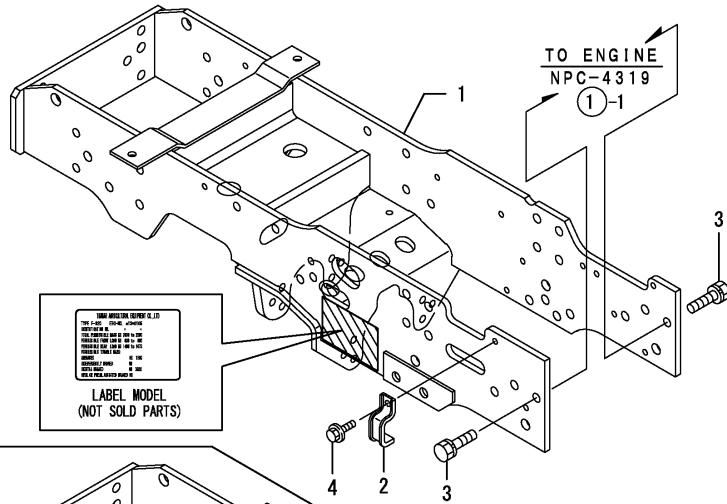
(A)=EF227E
(B)=EF230E
(C)=EF233E

(D)=
(E)=
(F)=

REF.	LEV.	PARTS NO.	DESCRIPTION	Q'TY						I	R
				(A)	(B)	(C)	(D)	(E)	(F)		
1	1	198280-11100	BRACKET M ASSY, AXLE	1							
2	1	198200-17950	CLAMP	1	1	1					
3	1	26013-120302	BOLT W/WASHER M12X30	12							
4	1	26106-080122	BOLT M 8X 12 PLATED	1	1	1					
5	1	198287-11100	BRACKET M ASSY, AXLE		1	1					
6	1	198208-11210	STAY, L.H.		1	1					
7	1	198208-11220	STAY, R.H.		1	1					
8	1	198208-11310	BOLT, 10 X 25		16	16					
9	1	26106-100452	BOLT M10X 45 PLATED		2	2					
10	1	26106-100552	BOLT M10X 55 PLATED		2	2					
11	1	198287-11210	PLATE L CMP.			1					
12	1	198287-11230	PLATE R CMP.			1					
13	1	26013-120252	BOLT M12X 25			4					
I 14	1	198093-84810	SEAL,FENDER		1	1					

(B=*2008.01.) (C=*2008.01.)

EF227E



EF230E
EF233E

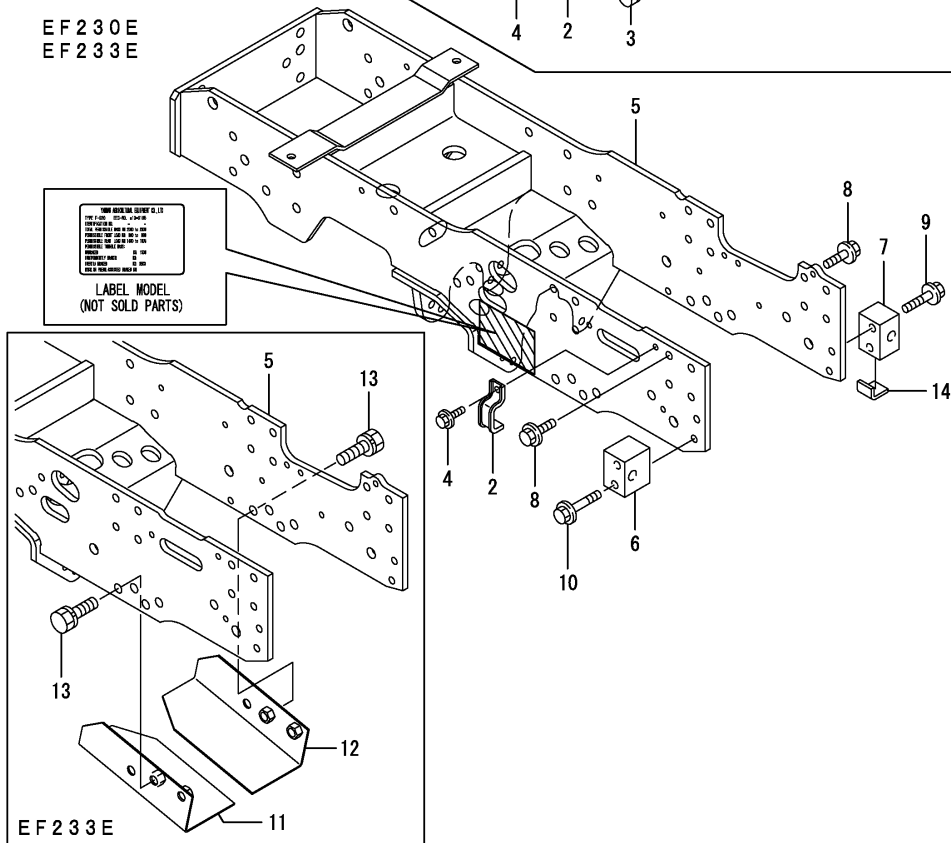
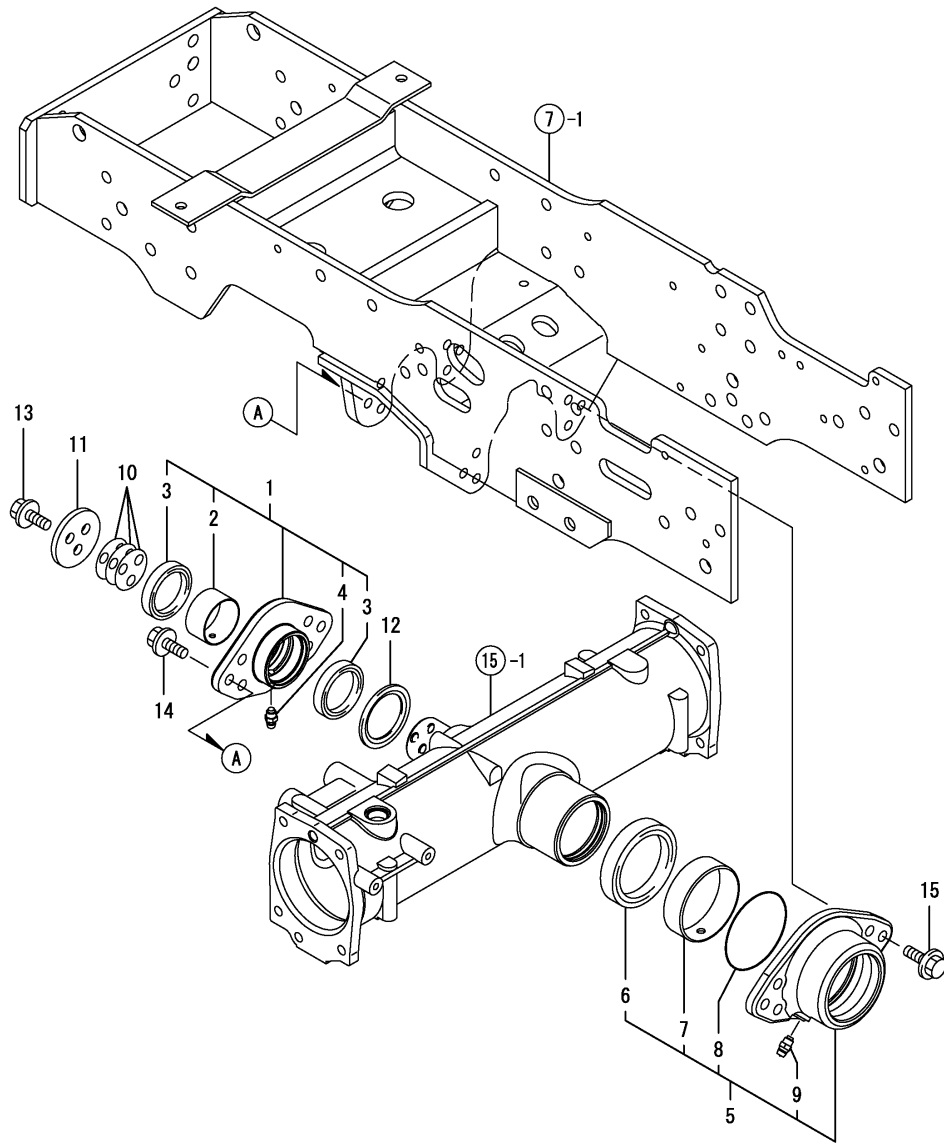


Fig.8. FRONT SUPPORT



0CNP4-G43700 8. FRONT SUPPORT

(A)=EF227E
(B)=EF230E
(C)=EF233E

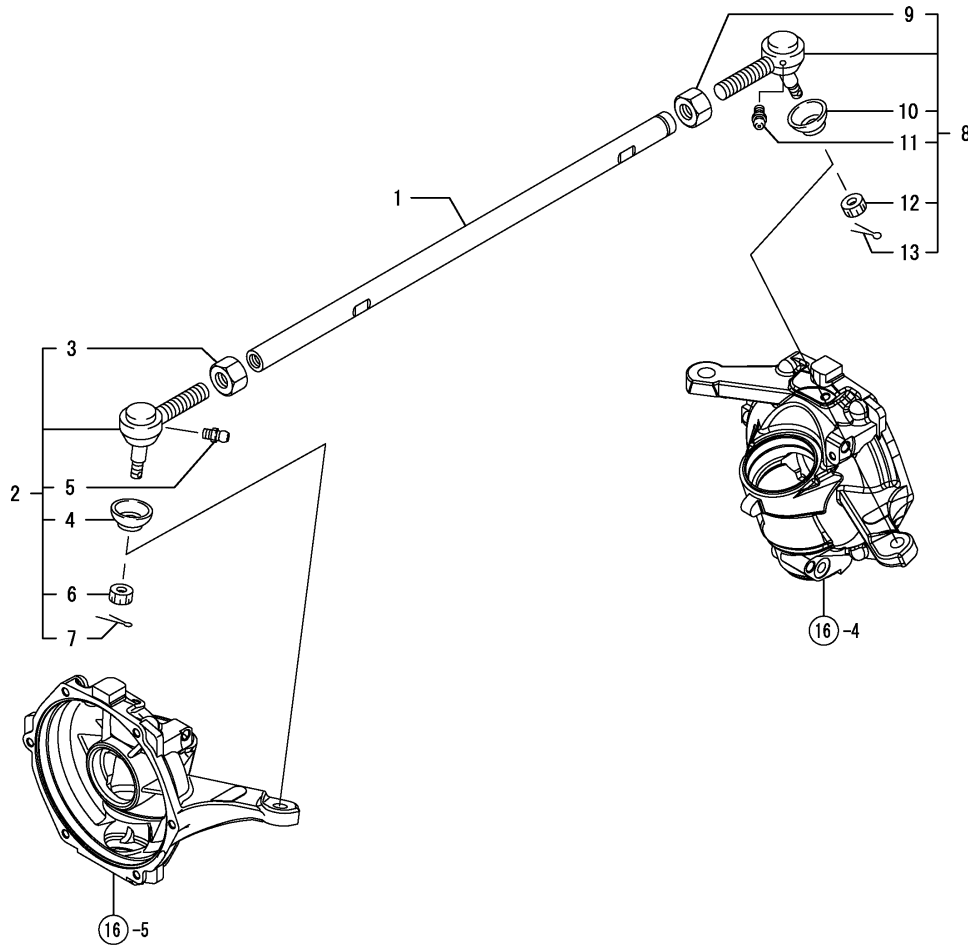
(D)=
(E)=
(F)=

REF.	LEV.	PARTS NO.	DESCRIPTION	Q'TY						I	R
				(A)	(B)	(C)	(D)	(E)	(F)		
1	1	198200-13050	SUPPORT ASSY, F	1	1	1					
2	2	194451-11960	BUSH 45X49X25	1	1	1					
3	2	198291-13240	SEAL G455204,OIL	2	2	2					
4	2	24761-010000	NIPPLE M6F, GREASE	1	1	1					
5	1	198200-13060	SUPPORT ASSY, R	1	1	1					
6	2	194181-11560	SEAL VB75 85 6.5,OIL	1	1	1					
7	2	194641-11630	BUSH 75X80X25	1	1	1					
8	2	24321-000750	O-RING 1A G-75.0	1	1	1					
9	2	24761-010000	NIPPLE M6F, GREASE	1	1	1					
10	1	198200-13320	SHIM,	3	3	3					
11	1	198200-13330	PLATE, THRUST	1	1	1					
12	1	198200-13350	WASHER	1	1	1					
13	1	26106-100252	BOLT M10X 25 PLATED	3	3	3					
14	1	26106-100252	BOLT M10X 25 PLATED	6	6	6					
15	1	26106-100252	BOLT M10X 25 PLATED	6	6	6					

Fig.10. TIE ROD

(A)=EF227E
(B)=EF230E
(C)=EF233E

(D)=
(E)=
(F)=



REF.	LEV.	PARTS NO.	DESCRIPTION	Q'TY						I	R
				(A)	(B)	(C)	(D)	(E)	(F)		
1	1	198127-12310	TIE-ROD (49)	1	1	1					
I	2	198240-18130	TIRE-ROD END KIT RL	1	1	1					
I	3	194990-22840	NUT M17	1	1	1					
4	2	194730-57220	COVER, DUST	1	1	1					
5	2	24761-060000	NIPPLE MT6X1, GREASE	1	1	1					
6	2	198240-12590	NUT 12	1	1	1					
7	2	22417-300250	COTTER PIN 3.0X 25	1	1	1					
I	8	198240-18120	TIRE-ROD END KIT(LR)	1	1	1					
I	9	194990-22830	NUT M17	1	1	1					
10	2	194730-57220	COVER, DUST	1	1	1					
11	2	24761-060000	NIPPLE MT6X1, GREASE	1	1	1					
12	2	198240-12590	NUT 12	1	1	1					
13	2	22417-300250	COTTER PIN 3.0X 25	1	1	1					

Fig.11. RING GEAR

0CNP4-G43700 11. RING GEAR

(A)=EF227E
(B)=EF230E
(C)=EF233E

(D)=
(E)=
(F)=

REF.	LEV.	PARTS NO.	DESCRIPTION	Q'TY						I	R
				(A)	(B)	(C)	(D)	(E)	(F)		
1	1	198200-13100	GEAR ASSY, RING	1	1	1					
I	1A	2	198200-13110	PINION, DRIVE	1	1	1				
I	1B	2	198200-13120	GEAR, RING	1	1	1				
2	1	1E6190-54080	SLEEVE SI25X30X13	1	1	1					
3	1	22242-000300	CIRCLIP 30	1	1	1					
4	1	24101-062064	BALL BEARING 6206	1	1	1					
5	1	24101-063054	BEARING #6305	1	1	1					

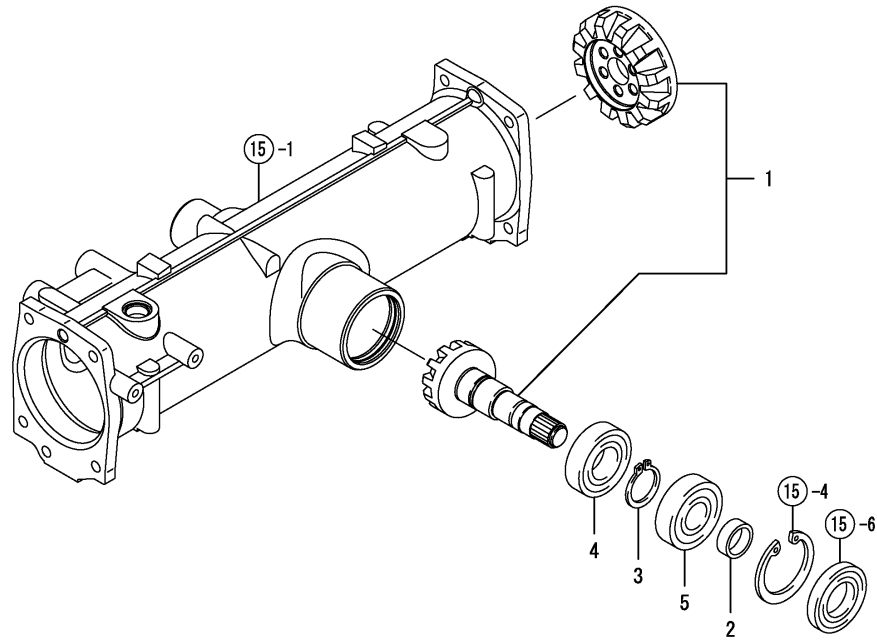
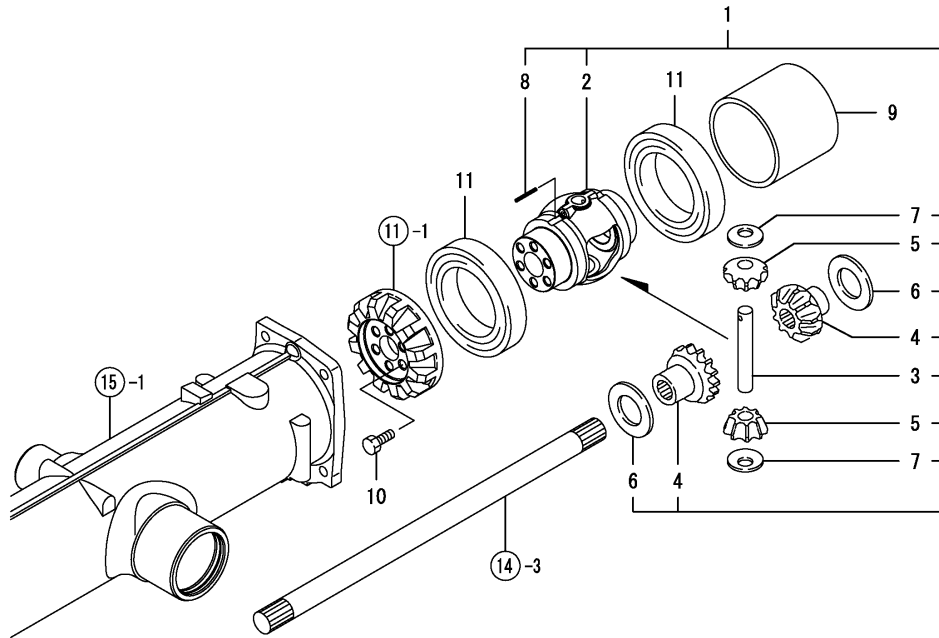


Fig.12. DIFFERENTIAL GEAR

(A)=EF227E
(B)=EF230E
(C)=EF233E

(D)=
(E)=
(F)=



REF.	LEV.	PARTS NO.	DESCRIPTION	Q'TY						I	R	
				(A)	(B)	(C)	(D)	(E)	(F)			
1	1	198200-13200	HOUSING ASSY, DIFF.	1	1	1						
2	2	198200-13210	HOUSING, DIFF.	1	1	1						
3	2	198200-13220	SHAFT, DIFF. PINION	1	1	1						
4	2	194300-31550	GEAR, DIFFERENTIAL	2	2	2						
5	2	194300-31560	GEAR, DIFFERENTIAL	2	2	2						
6	2	194300-31610	WASHER, DIFFERENTIAL	2	2	2						
7	2	194300-31620	WASHER, DIFFERENTIAL	2	2	2						
8	2	22351-040040	SPRING PIN 4X40	1	1	1						
9	1	198200-13250	COLLER, DIFFERENTIAL	1	1	1						
10	1	194421-13640	BOLT M 8X22	6	6	6						
11	1	24101-060114	BALL BEARING	2	2	2						

Fig.13. PROPELLER SHAFT

(A)=EF227E
(B)=EF230E
(C)=EF233E

(D)=
(E)=
(F)=

REF.	LEV.	PARTS NO.	DESCRIPTION	Q'TY						I	R
				(A)	(B)	(C)	(D)	(E)	(F)		
1	1	198200-13280	COUPLING, FRONT	2	2	2					
2	1	198280-13310	SHAFT, PROPELLER	1	1	1					
3	1	22242-000220	CIRCLIP 22	2	2	2					
4	1	198280-14630	COVER, SHAFT FRONT	1	1	1					
5	1	198071-14650	BOOT,SHAFT COVER	1	1	1					
6	1	198200-14670	COVER, SHAFT REAR	1	1	1					
7	1	198200-14910	SEAL, SHAFT COVER	1	1	1					
8	1	23010-055000	CLAMP 55	1	1	1					
9	1	24321-000450	O-RING 1A G-45.0	1	1	1					
10	1	26106-080162	BOLT M 8X 16 PLATED	1	1	1					

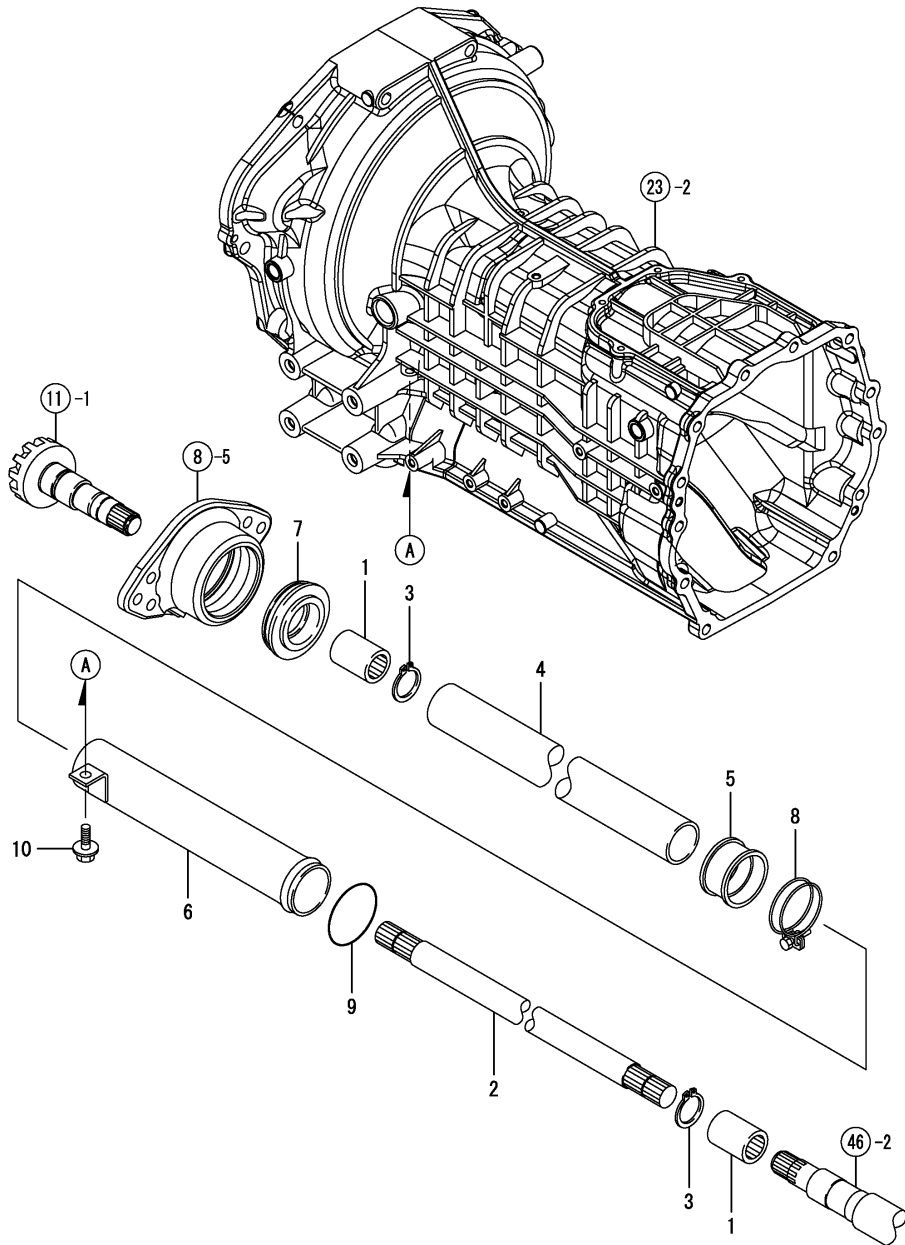


Fig.15. FRONT AXLE CASE

(A)=EF227E
(B)=EF230E
(C)=EF233E

(D)=
(E)=
(F)=

REF.	LEV.	PARTS NO.	DESCRIPTION	Q'TY						I	R
				(A)	(B)	(C)	(D)	(E)	(F)		
1	1	198200-13611	HOUSING, FRONT AXLE	1	1	1					
2	1	198208-17210	BRACKET, CYLINDER	1	1	1					
3	1	1C6900-23020	BREATHER W/GG.,KNOCK	1	1	1					
4	1	22252-000620	CIRCLIP 62(H)	1	1	1					
5	1	24311-000180	O-RING 1A P-18.0	1	1	1					
6	1	24421-306210	SEAL TC30 62 10, OIL	1	1	1					
7	1	26013-120302	BOLT W/WASHER M12X30	4	4	4					

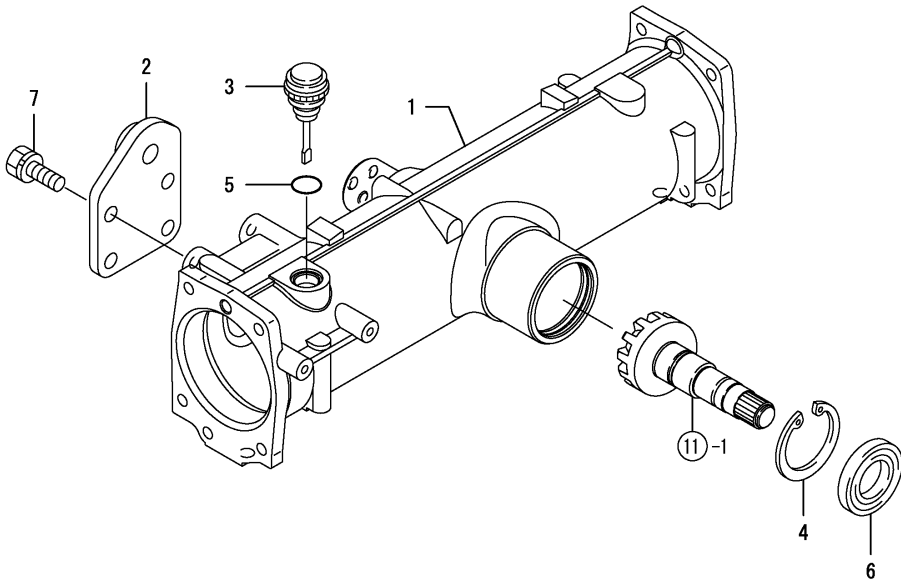


Fig.16. FRONT GEAR CASE

(A)=EF227E

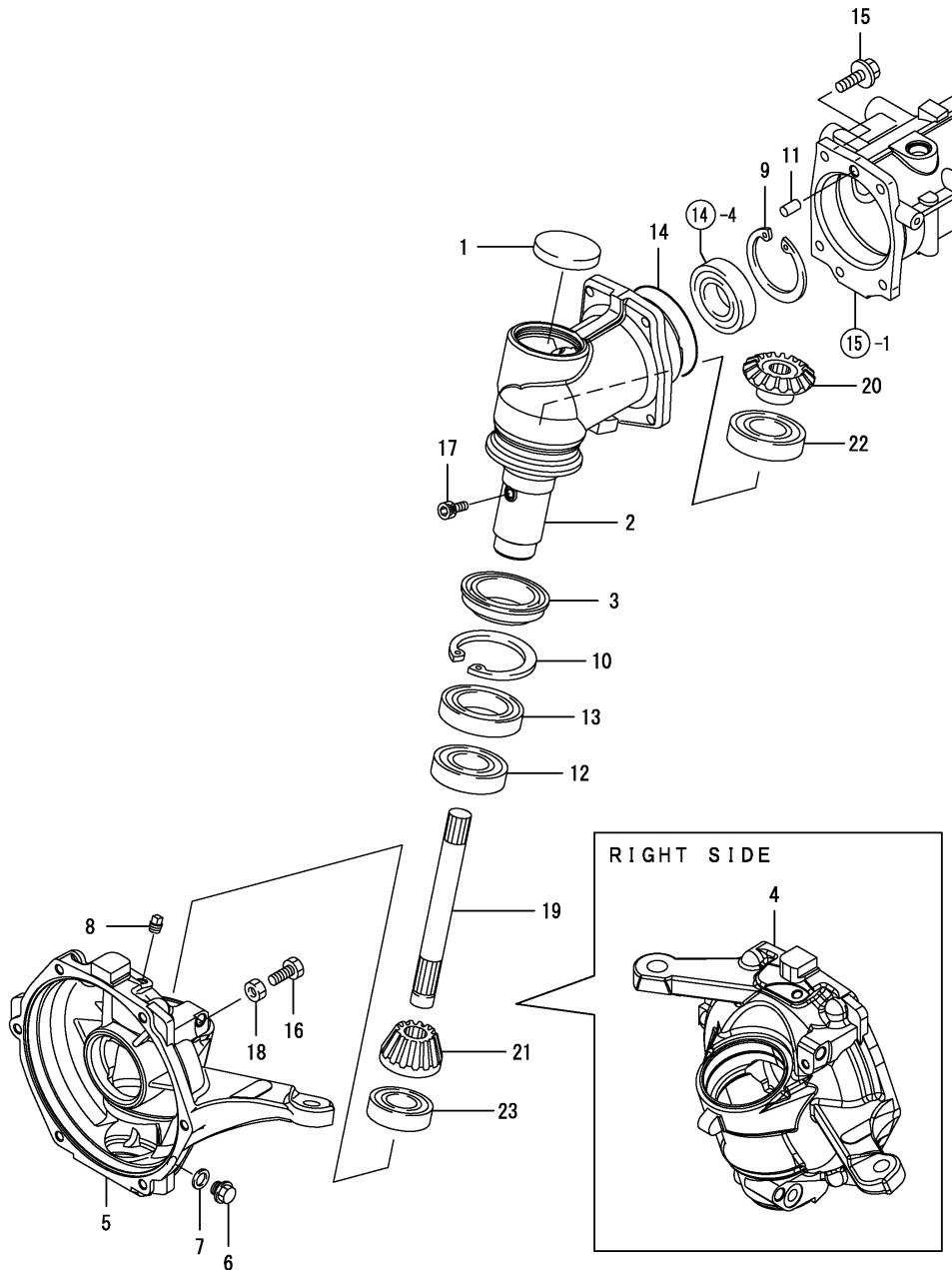
(B)=EF230E

(C)=EF233E

(D)=

(E)=

(F)=



REF.	LEV.	PARTS NO.	DESCRIPTION	Q'TY						I	R
				(A)	(B)	(C)	(D)	(E)	(F)		
1	1	177432-03450	PLUG	2	2	2					
2	1	198208-13720	HOUSING, FRONT GEAR	2	2	2					
3	1	198071-13760	SEAL QLF578016.5.OIL	2	2	2					
4	1	198200-13780	GEARBOX, FRONT R.H.	1	1	1					
5	1	198200-13791	GEARBOX, FRONT L.H.	1	1	1					
6	1	1C6900-23120	BOLT M14X10,DRAIN	2	2	2					
7	1	1C6900-23150	WASHER	2	2	2					
8	1	194151-36670	PLUG PT02	2	2	2					
9	1	22252-000720	CIRCLIP 72	2	2	2					
10	1	22252-000800	CIRCLIP 80	2	2	2					
11	1	22312-100180	PARALLEL PIN 10X 18	2	2	2					
12	1	24101-060084	BALL BEARING	2	2	2					
13	1	24101-060104	BALL BEARING	2	2	2					
14	1	24321-000950	O-RING 1A G-95.0	2	2	2					
15	1	26106-100302	BOLT M10X 30 PLATED	10	10	10					
16	1	26116-100352	BOLT 10X35	2	2	2					
17	1	26450-080122	BOLT 8X 12	2	2	2					
18	1	26716-100002	NUT 10	2	2	2					
19	1	198200-13810	SHAFT, FRONT 2ND	2	2	2					
20	1	198200-13820	GEAR, 2ND SHAFT	2	2	2					
21	1	198200-13830	PINION, FRONT FINAL	2	2	2					
22	1	24101-062064	BALL BEARING 6206	2	2	2					
23	1	24101-063044	BALL BEARING	2	2	2					

Fig.17. FRONT SPINDLE

0CNP4-G43700 17. FRONT SPINDLE

(A)=EF227E
(B)=EF230E
(C)=EF233E

(D)=
(E)=
(F)=

REF.	LEV.	PARTS NO.	DESCRIPTION	Q'TY						I	R
				(A)	(B)	(C)	(D)	(E)	(F)		
1	1	194556-13790	O-RING 190X2.7	2	2	2					
2	1	198200-14110	SPINDLE, FRONT	2	2	2					
3	1	198200-14120	GEAR, FRONT FINAL	2	2	2					
4	1	198200-14130	COVER, GEARBOX	2	2	2					
5	1	198200-14210	RING, HALF TIMBER	4	4	4					
6	1	198475-32660	SEAL QLNY527514.5	2	2	2					
7	1	24101-060084	BALL BEARING	2	2	2					
8	1	24101-062094	BALL BEARING	2	2	2					
9	1	26106-100252	BOLT M10X 25 PLATED	12	12	12					

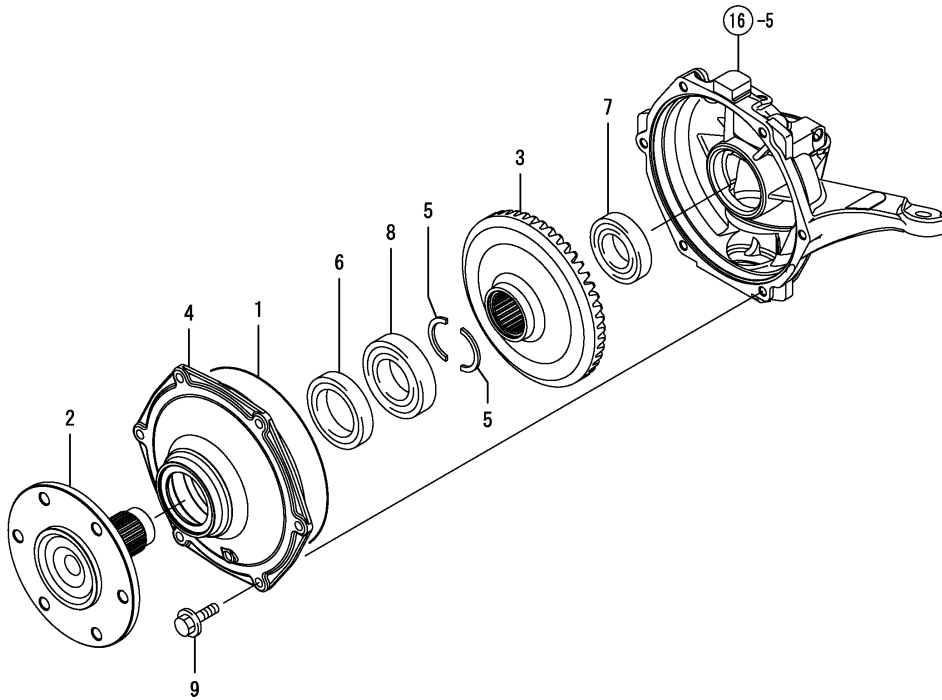
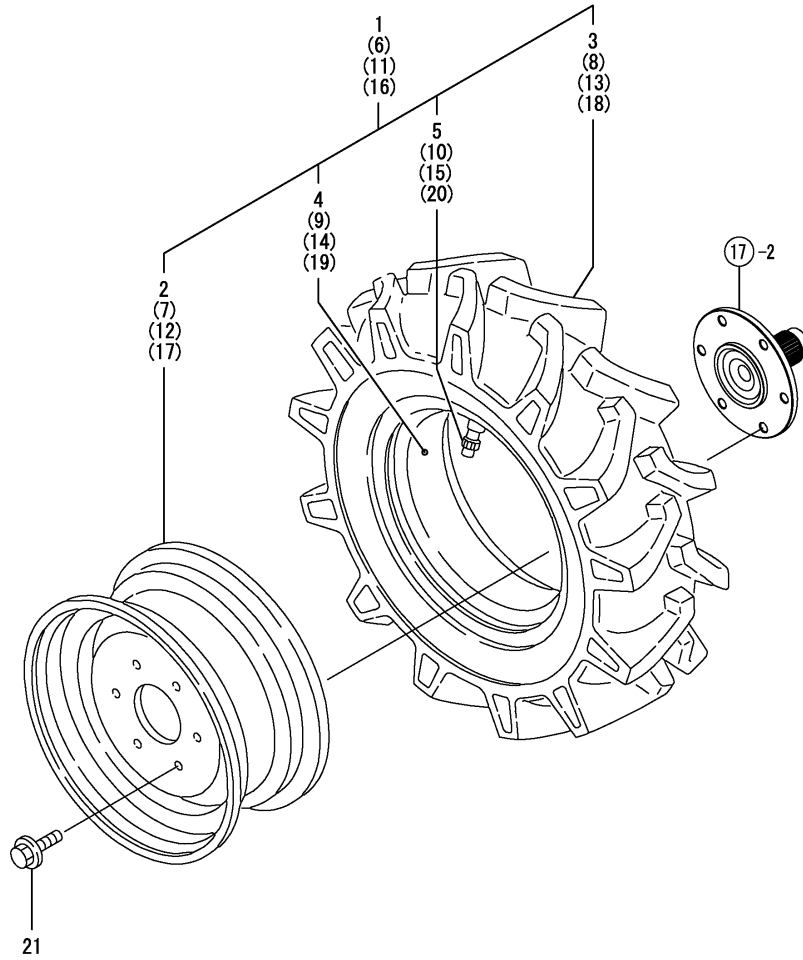


Fig.18. FRONT WHEEL TIRE

(A)=EF227E
(B)=EF230E
(C)=EF233E

(D)=
(E)=
(F)=

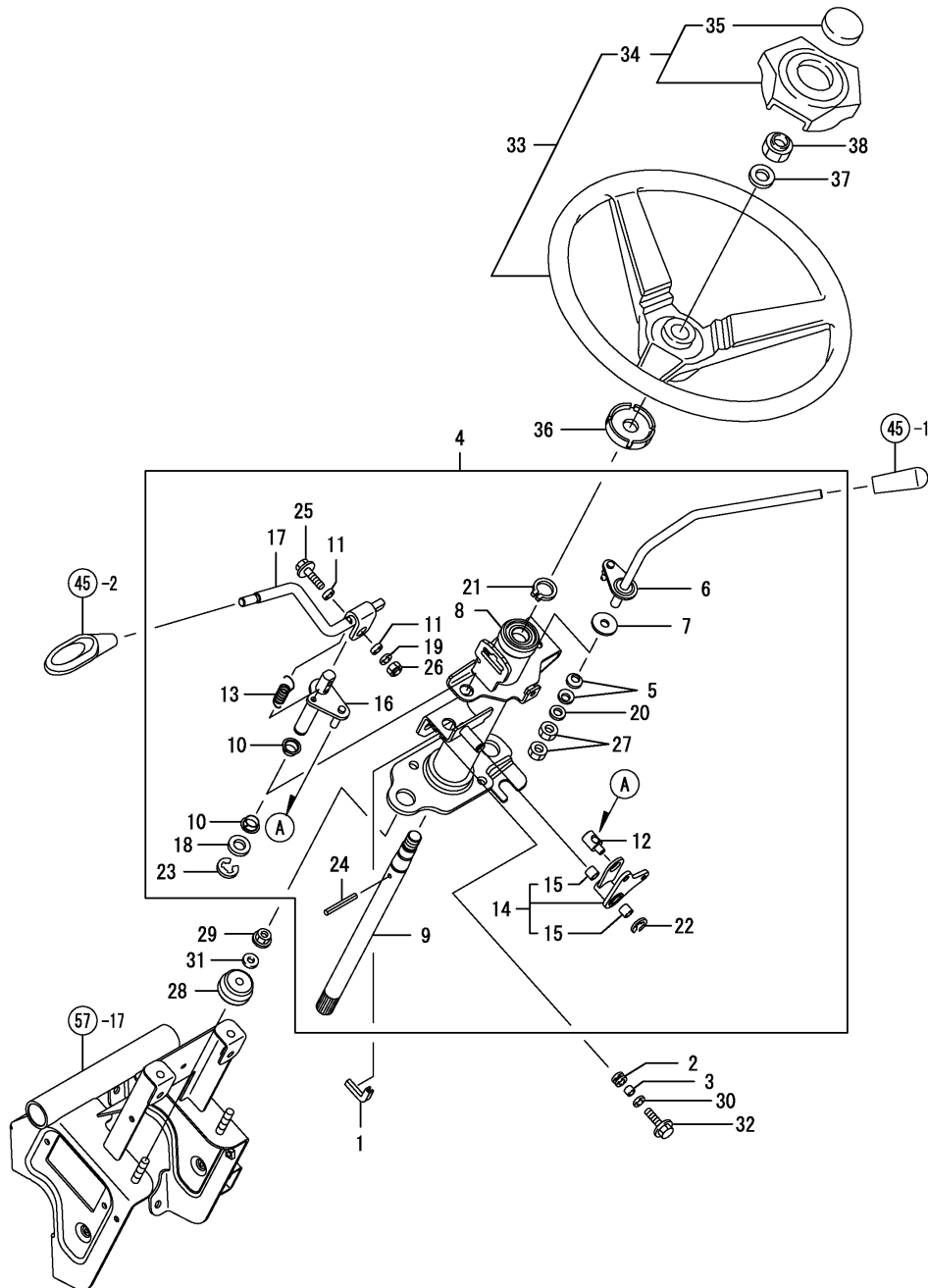


REF.	LEV.	PARTS NO.	DESCRIPTION	Q'TY						I	R
				(A)	(B)	(C)	(D)	(E)	(F)		
1	1	198031-14700	TIRE L KIT,FRONT	1	1	1					
2	2	198031-14710	WHEEL 5JAX14WDC	1	1	1					
3	2	194166-14810	TIRE 6-14	1	1	1					
4	2	194166-14820	TUBE	1	1	1					
5	2	194190-34730	HOUSING,CORE	1	1	1					
6	1	198031-14800	FRONT TIRE R.H KIT	1	1	1					
7	2	198031-14710	WHEEL 5JAX14WDC	1	1	1					
8	2	194166-14810	TIRE 6-14	1	1	1					
9	2	194166-14820	TUBE	1	1	1					
10	2	194190-34730	HOUSING,CORE	1	1	1					
11	1	198127-14700	TIRE L ASSY, FRONT	1	1	1					
12	2	198031-14710	WHEEL 5JAX14WDC	1	1	1					
13	2	194171-14810	TIRE, 7-14-4 FSLM	1	1	1					
14	2	194171-14820	TUBE	1	1	1					
15	2	194190-34730	HOUSING,CORE	1	1	1					
16	1	198127-14800	FRONT TIRE R.H. KIT	1	1	1					
17	2	198031-14710	WHEEL 5JAX14WDC	1	1	1					
18	2	194171-14810	TIRE, 7-14-4 FSLM	1	1	1					
19	2	194171-14820	TUBE	1	1	1					
20	2	194190-34730	HOUSING,CORE	1	1	1					
21	1	194881-12650	BOLT M14X 24	12	12	12					

Fig.19. STEERING

(A)=EF227E
(B)=EF230E
(C)=EF233E

(D)=
(E)=
(F)=



REF.	LEV.	PARTS NO.	DESCRIPTION	QTY						I	R
				(A)	(B)	(C)	(D)	(E)	(F)		
1	1	198200-01170	SEAL, CABLE	1	1	1					
2	1	198360-03260	GROMMET 12	2	2	2					
3	1	198360-03270	SPACER	2	2	2					
4	1	198200-15090	COLUMN UNIT,	1	1	1					
5	2	194740-00160	WASHER 10, CONICAL	2	2	2					
6	2	198200-01110	LEVER ASSY, CONTROL	1	1	1					
7	2	198200-01260	PLATE, FRICTION	1	1	1					
I 8	2	198200-15100	COLUMN ASSY,	1	1	1					
9	2	198200-15180	SHAFT, STEERING	1	1	1					
10	2	198200-27000	BUSH, 15X16X8	2	2	2					
11	2	198200-27030	COLLAR, 9X14X4.5	2	2	2					
12	2	198200-27090	PIN, CONNECTING	1	1	1					
13	2	198200-27240	SPRING, RETURN	1	1	1					
14	2	198200-27250	PLATE ASSY, ARM	1	1	1					
15	3	24550-012100	BUSH 12X10	2	2	2					
16	2	198200-27400	SHAFT, REVERSER	1	1	1					
17	2	198200-27460	LEVER, REVERSER	1	1	1					
18	2	22117-140000	WASHER 14	1	1	1					
19	2	22137-080000	WASHER 8, POLISHED	1	1	1					
20	2	22137-100000	WASHER 10,POLISHED	1	1	1					
21	2	22242-000200	CIRCLIP 20	1	1	1					
22	2	22272-000090	CIRCLIP E- 9	1	1	1					
23	2	22272-000120	CIRCLIP E-12	1	1	1					
24	2	22351-040032	SPRING PIN 4X32	1	1	1					
25	2	26106-080352	BOLT M 8X 35 PLATED	1	1	1					
26	2	26346-080002	U-NUT M 8 PLATED	1	1	1					
27	2	26716-100002	NUT 10	2	2	2					
28	1	198200-15250	MOUNT, STEERING	2	2	2					
29	1	194990-22140	NUT W/WASHER 8	2	2	2					
30	1	22157-080000	WASHER 8	2	2	2					
31	1	22157-080000	WASHER 8	2	2	2					
32	1	26106-080252	BOLT M 8X 25 PLATED	2	2	2					
33	1	198133-15700	WHEEL COMP.,STEERING	1	1	1					
34	2	198133-15740	CAP COMP.,STEERING	1	1	1					
35	3	198133-15780	NAMEPLATE,HANDLE	1	1	1					
36	1	1A7000-15720	STEERING COVER	1	1	1					
37	1	22137-160000	WASHER 16,POLISHED	1	1	1					
38	1	26356-160002	U-NUT M16	1	1	1					

Fig.20. P.S.T. CYLINDER

(A)=EF227E

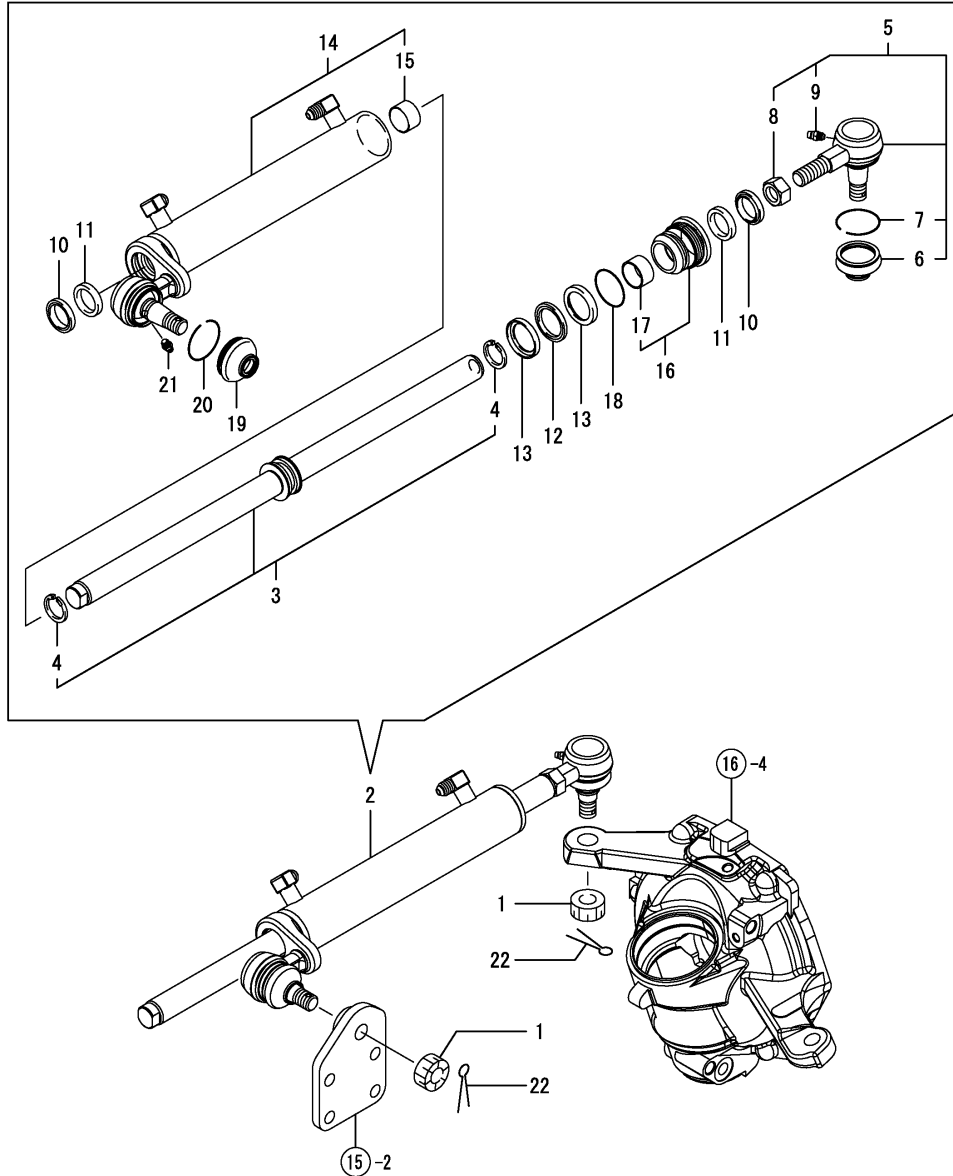
(B)=EF230E

(C)=EF233E

(D)=

(E)=

(F)=



REF.	LEV.	PARTS NO.	DESCRIPTION	Q'TY						I	R
				(A)	(B)	(C)	(D)	(E)	(F)		
1	1	194180-12470	NUT, CASTLE	2	2	2					
2	1	198200-17010	CYLINDER KIT, PST.	1	1	1					
3	2	198200-17050	ROD ASSY, STEERING	1	1	1					
4	3	22292-000250	CIRCLIP 25	2	2	2					
5	2	198200-17070	ROD END ASSY	1	1	1					
6	3	194450-12551	COVER, DUST	1	1	1					
7	3	194450-12561	RING, SET	1	1	1					
8	3	1A6030-47880	NUT, 16R	1	1	1					
9	3	24761-060000	NIPPLE MT6X1, GREASE	1	1	1					
10	2	198200-17140	WIPER	2	2	2					
11	2	198200-17150	ROD SEAL	2	2	2					
12	2	198200-17160	PACKING, PISTON	1	1	1					
13	2	198200-17170	BEARING, PISTON	2	2	2					
14	2	198200-17240	TUBE ASSY, CYLINDER	1	1	1					
15	3	24550-025150	BUSH 25X15	1	1	1					
16	2	198200-17250	CAP ASSY	1	1	1					
17	3	24550-025150	BUSH 25X15	1	1	1					
18	2	24315-000350	O-RING 1B P-35.0	1	1	1					
I	19	2	194450-12551	COVER, DUST	1	1	1				
	20	2	194450-12561	RING, SET	1	1	1				
	21	2	24761-060000	NIPPLE MT6X1, GREASE	1	1	1				
	22	1	22417-400250	COTTER PIN 4.0X25	2	2	2				

Fig.21. P.S.T. VALVE

(A)=EF227E
(B)=EF230E
(C)=EF233E

(D)=
(E)=
(F)=

REF.	LEV.	PARTS NO.	DESCRIPTION	Q'TY						I	R
				(A)	(B)	(C)	(D)	(E)	(F)		
1	1	198200-17500	VALVE ASSY, STEERING	1	1	1					
I	1A	2 198072-17550	SEAL KIT	1	1	1					W
		(A=*2008.04.) (B=*2008.04.) (C=*2008.04.)									
2	1	26136-100162	BOLT, 10 X 16	3	3	3					

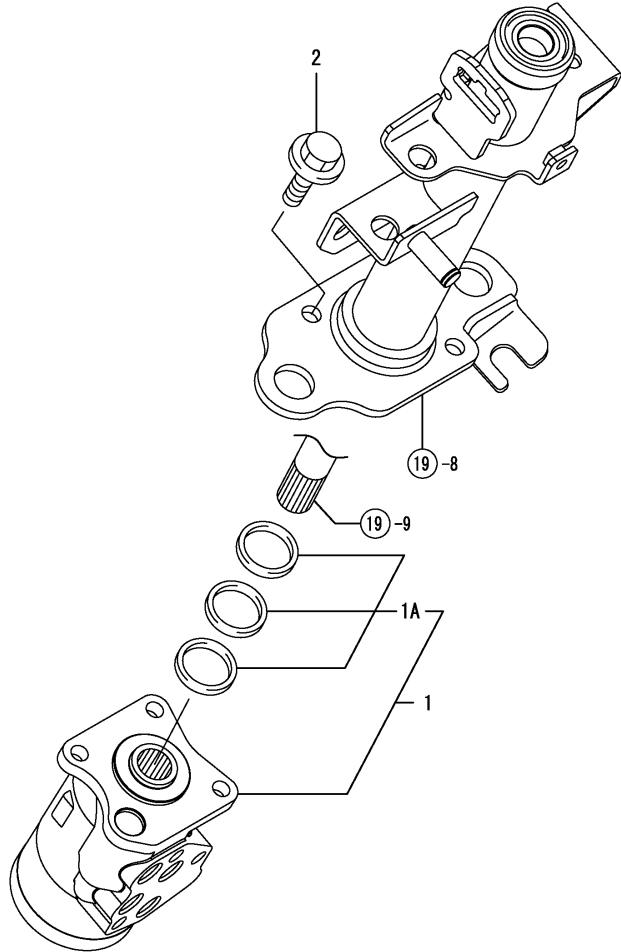
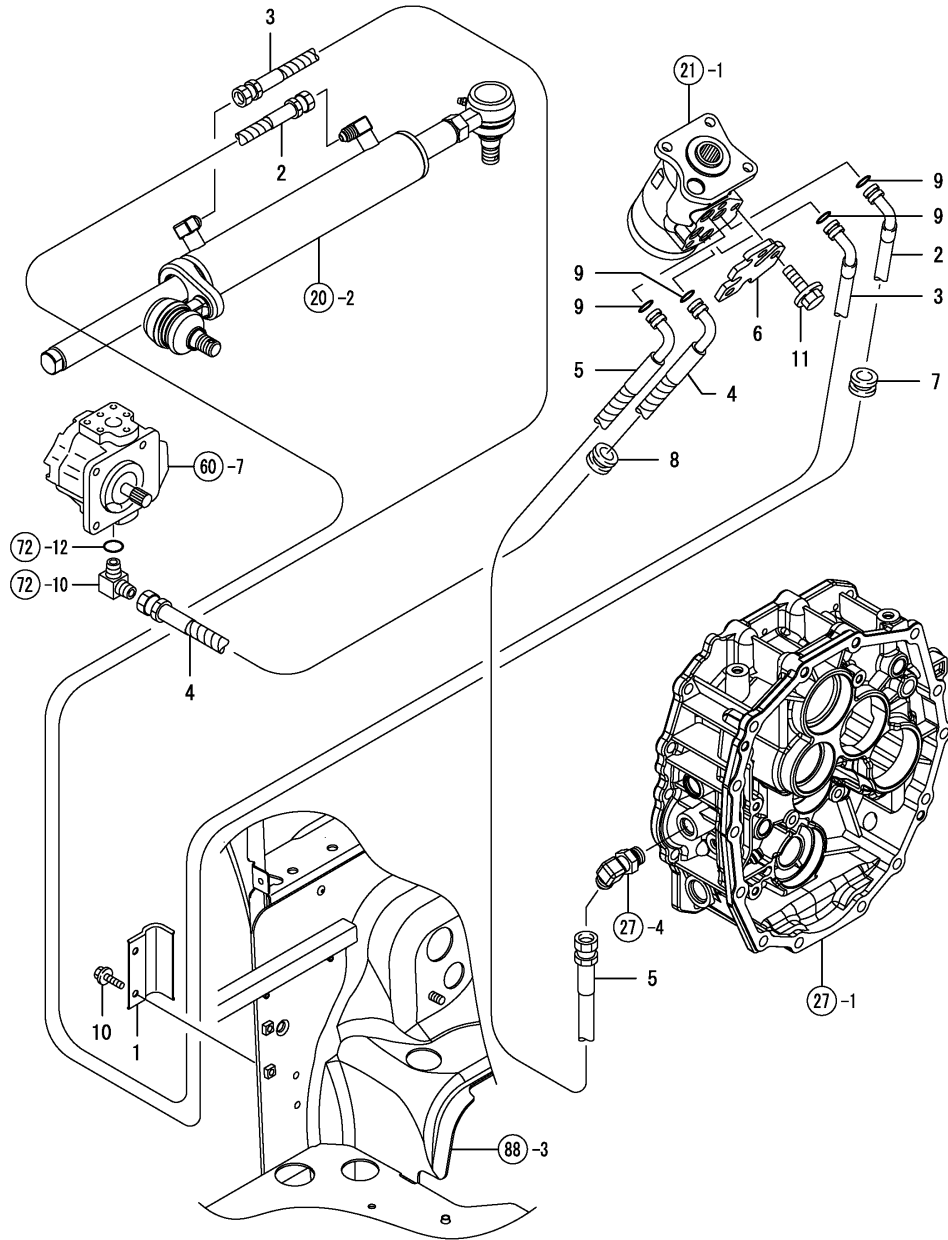


Fig.22. P.S.T. HOSE



(A)=EF227E
(B)=EF230E
(C)=EF233E

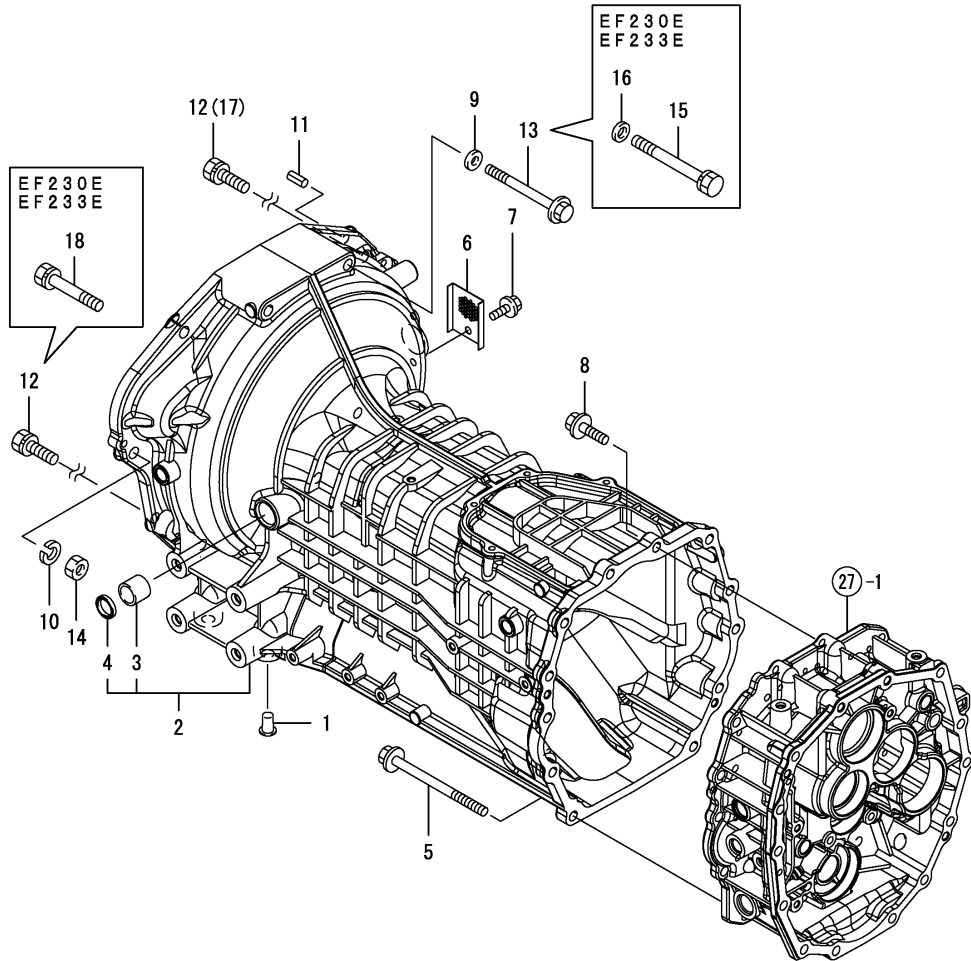
(D)=
(E)=
(F)=

REF.	LEV.	PARTS NO.	DESCRIPTION	Q'TY						I	R
				(A)	(B)	(C)	(D)	(E)	(F)		
1	1	198200-17750	CLAMP	1	1	1					
2	1	198280-17810	HOSE, HYDRAULIC	1	1	1					
3	1	198280-17820	HOSE, HYDRAULIC	1	1	1					
4	1	198200-17830	HOSE, HYDRAULIC	1	1	1					
5	1	198200-17840	HOSE, HYDRAULIC	1	1	1					
6	1	198200-17910	PLATE,	1	1	1					
7	1	194170-51210	GROMMET 25	1	1	1					
8	1	198245-51210	GROMMET 25	1	1	1					
9	1	24311-000120	O-RING 1A P 12.0	4	4	4					
10	1	26106-060122	BOLT M 6X 12 PLATED	2	2	2					
11	1	26136-100162	BOLT, 10 X 16	3	3	3					

Fig.23. CLUTCH HOUSING

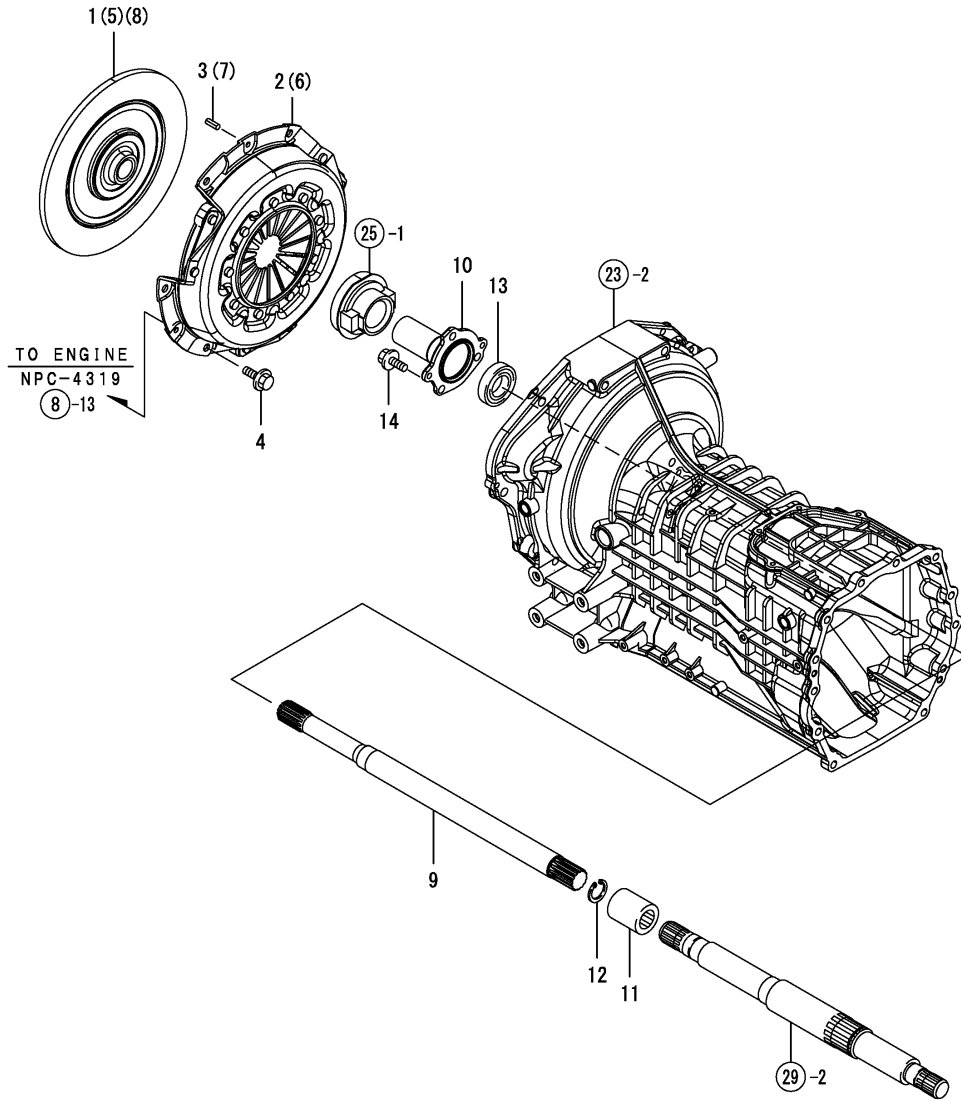
(A)=EF227E
(B)=EF230E
(C)=EF233E

(D)=
(E)=
(F)=



REF.	LEV.	PARTS NO.	DESCRIPTION	Q'TY						I	R
				(A)	(B)	(C)	(D)	(E)	(F)		
1	1	194201-11230	CAP 11X21	4	4	4					
2	1	198200-21100	HOUSING ASSY, CLUTCH	1	1	1					
3	2	194680-22280	BUSH 20X26X22	2	2	2					
4	2	194680-22290	SEAL G202604,OIL	2	2	2					
5	1	198200-21140	BOLT, 10 X 135	10	10	10					
6	1	198280-21170	COVER, HOUSING	1	1	1					
7	1	26106-080122	BOLT M 8X 12 PLATED	1	1	1					
8	1	26106-100352	BOLT M10X 35 PLATED	2	2	2					
9	1	198200-21160	WASHER 10	2							
10	1	22217-120000	SPRING WASHER 12	1	1	1					
11	1	22351-080018	SPRING PIN 8X18	2	2	2					
12	1	26013-120352	BOLT M12X 35	6							
13	1	26106-101052	BOLT M10X105 PLATED	2							
14	1	26716-120002	NUT 12	1	1	1					
15	1	198206-21220	BOLT,12X110		2	2					
16	1	198206-21230	COLLER		2	2					
17	1	26013-120352	BOLT M12X 35		4	4					
18	1	26013-120702	BOLT 12X70 W/SP.WSHR		2	2					

Fig.24. CLUTCH & CLUTCH SHAFT



(A)=EF227E
(B)=EF230E
(C)=EF233E

(D)=
(E)=
(F)=

REF.	LEV.	PARTS NO.	DESCRIPTION	Q'TY						I	R
				(A)	(B)	(C)	(D)	(E)	(F)		
1	1	198200-21510	DISK, CLUTCH 215	1							
2	1	194320-21700	PLATE, PRESSURE	1							
3	1	22351-060016	SPRING PIN 6X16	3							
4	1	26106-080162	BOLT M 8X 16 PLATED	6	6	6					
5	2	198208-21510	DISK, CLUTCH 225		1						
6	1	194220-21700	PLATE,PRESSURE		1	1					
7	1	22351-080018	SPRING PIN 8X18		3	3					
8	1	1A7000-21410	DISC			1					
9	1	198200-22111	SHAFT, MAIN DRIVE	1	1	1					
10	1	198200-22531	SLEEVE, BEARING	1	1	1					
11	1	194555-26520	COUPLING	1	1	1					
12	1	22252-000220	CIRCLIP 22	1	1	1					
13	1	24104-060054	BALL BEARING	1	1	1					
14	1	26106-080202	BOLT M 8X 20 PLATED	3	3	3					

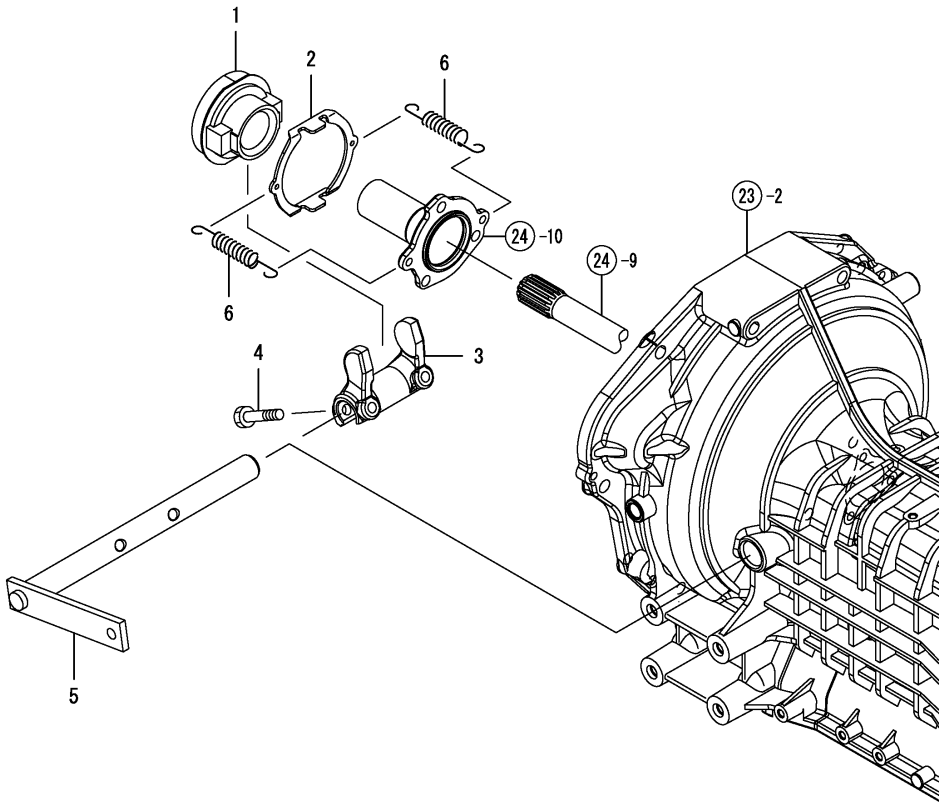
Fig.25. CLUTCH RELEASE

0CNP4-G43700 25. CLUTCH RELEASE

(A)=EF227E
(B)=EF230E
(C)=EF233E

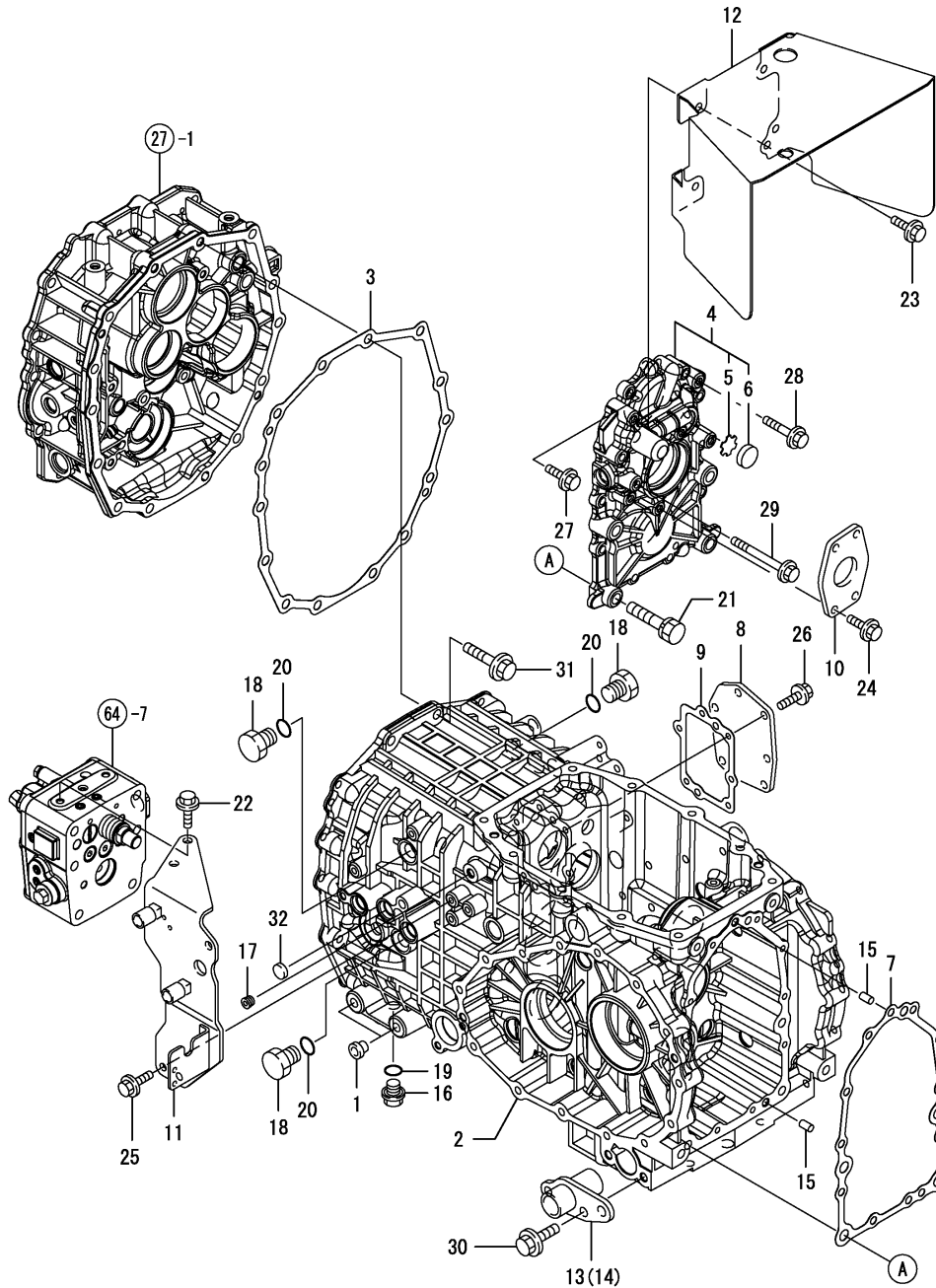
(D)=
(E)=
(F)=

REF.	LEV.	PARTS NO.	DESCRIPTION	Q'TY						I	R
				(A)	(B)	(C)	(D)	(E)	(F)		
1	1	198360-22210	BEARING,RELEASE	1	1	1					
2	1	198360-22250	HOOK,SPRING	1	1	1					
3	1	198071-22310	YOKE,CLUTCH SHIFT	1	1	1					
4	1	198071-22320	BOLT M8X40	2	2	2					
5	1	198200-22330	SHAFT,RELEASE CLUTCH	1	1	1					
6	1	194800-22480	SPRING 58	2	2	2					



N:Old $\begin{matrix} \text{Yes} \\ \rightarrow \\ \text{No} \end{matrix}$ New, Q:Old $\begin{matrix} \text{No} \\ \rightarrow \\ \text{Yes} \end{matrix}$ New, R:Old $\begin{matrix} \text{Yes} \\ \rightarrow \\ \text{Yes} \end{matrix}$ New, S:Old $\begin{matrix} \text{No} \\ \rightarrow \\ \text{No} \end{matrix}$ New, W:Add, Z:Discontinued, F:Interchangeable by set, K:Q'ty Change
(C)Copy Rights YANMAR CO.,LTD.

Fig.26. TRANSMISSION CASE



(A)=EF227E
(B)=EF230E
(C)=EF233E

(D)=
(E)=
(F)=

REF.	LEV.	PARTS NO.	DESCRIPTION	QTY						I	R
				(A)	(B)	(C)	(D)	(E)	(F)		
1	1	194150-21910	PLUG 11.2	4	4	4					
2	1	198282-24110	HOUSING, XMSN.	1	1	1					
3	1	198200-24120	GASKET, XMSN.	1	1	1					
4	1	198282-24150	COVER ASSY, XMSN.	1	1	1					
5	2	198071-24350	PLATE,OL.INSP.WINDOW	1	1	1					
6	2	1A1040-28470	WINDOW 25,OIL CHECK	1	1	1					
7	1	198200-24170	GASKET, XMSN. COVER	1	1	1					
8	1	198280-24180	COVER, XMSN. SIDE	1	1	1					
9	1	198200-24190	GASKET, HOUSING	1	1	1					
10	1	198255-24460	PLATE, OIL SEAL	1	1	1					
11	1	198282-26710	STAY ASSY, LEVER	1	1	1					
12	1	198280-26901	GUARD M ASSY,PTO	1	1	1					
13	1	198280-73170	SUPPORT, LOWER LINK	1	1	1					
14	1	198280-73250	SUPPORT, LOWER LINK	1	1	1					
15	1	22312-080140	PIN 8X14,STRAIGHT	2	2	2					
16	1	23491-140002	PLUG 14	1	1	1					
17	1	23871-010000	PLUG PT1/8,SCREW	1	1	1					
18	1	23887-180002	PLUG 18	3	3	3					
19	1	24311-000160	O-RING 1A P-16.0	1	1	1					
20	1	24311-000180	O-RING 1A P-18.0	3	3	3					
21	1	26013-120552	BOLT M12X55	2	2	2					
22	1	26106-080162	BOLT M 8X 16 PLATED	2	2	2					
23	1	26106-080162	BOLT M 8X 16 PLATED	4	4	4					
24	1	26106-080162	BOLT M 8X 16 PLATED	2	2	2					
25	1	26106-080202	BOLT M 8X 20 PLATED	2	2	2					
26	1	26106-080202	BOLT M 8X 20 PLATED	6	6	6					
27	1	26106-080252	BOLT M 8X 25 PLATED	8	8	8					
28	1	26106-080452	BOLT M 8X 45 PLATED	1	1	1					
29	1	26106-080802	BOLT M 8X 80 PLATED	1	1	1					
30	1	26106-100252	BOLT M10X 25 PLATED	4	4	4					
31	1	26106-100502	BOLT M10X 50 PLATED	2	2	2					
32	1	27260-170000	PLUG 17,BORE	1	1	1					

Fig.27. CENTER PLATE

(A)=EF227E
(B)=EF230E
(C)=EF233E

(D)=
(E)=
(F)=

REF.	LEV.	PARTS NO.	DESCRIPTION	Q'TY						I	R
				(A)	(B)	(C)	(D)	(E)	(F)		
1	1	198282-24300	PLATE ASSY, CENTER	1	1	1					
2	2	198282-24330	PLUG	1	1	1					
3	1	192167-24600	PLUG	1	1	1					
4	1	1E6680-66470	ELBOW 3/8 W/SEAT	1	1	1					
5	1	22190-100000	SEAL WASHER 10(BOLT)	1	1	1					
6	1	22312-080140	PIN 8X14,STRAIGHT	2	2	2					
7	1	22312-080140	PIN 8X14,STRAIGHT	2	2	2					
8	1	23414-220000	PACKING 22,ROUND	1	1	1					
9	1	23887-220002	PLUG M22,HEX.	1	1	1					
10	1	24311-000140	O-RING 1A P-14.0	1	1	1					
11	1	24311-000140	O-RING 1A P-14.0	1	1	1					
12	1	24421-305011	SEAL, TC305011	1	1	1					
13	1	26106-100162	BOLT M10X 16 PLATED	1	1	1					
14	1	26106-100302	BOLT M10X 30 PLATED	2	2	2					

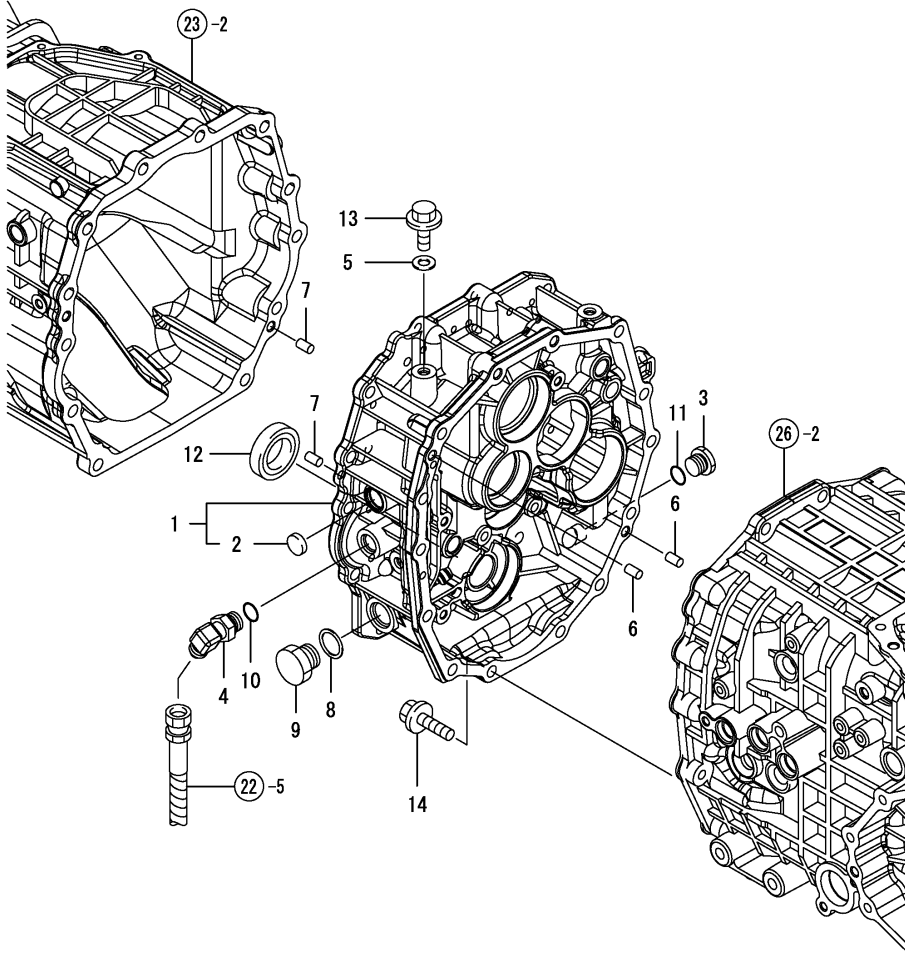


Fig.28. REVERSE HOUSING

(A)=EF227E
 (B)=EF230E
 (C)=EF233E

(D)=
 (E)=
 (F)=

REF.	LEV.	PARTS NO.	DESCRIPTION	Q'TY						I	R
				(A)	(B)	(C)	(D)	(E)	(F)		
1	1	198200-24320	OIL SEAL	1	1	1					
2	1	198200-24410	HOUSING, REVERSER	1	1	1					
3	1	198200-24420	GASKET, HOUSING	1	1	1					
4	1	22312-080140	PIN 8X14,STRAIGHT	2	2	2					
5	1	26106-080252	BOLT M 8X 25 PLATED	13	13	13					

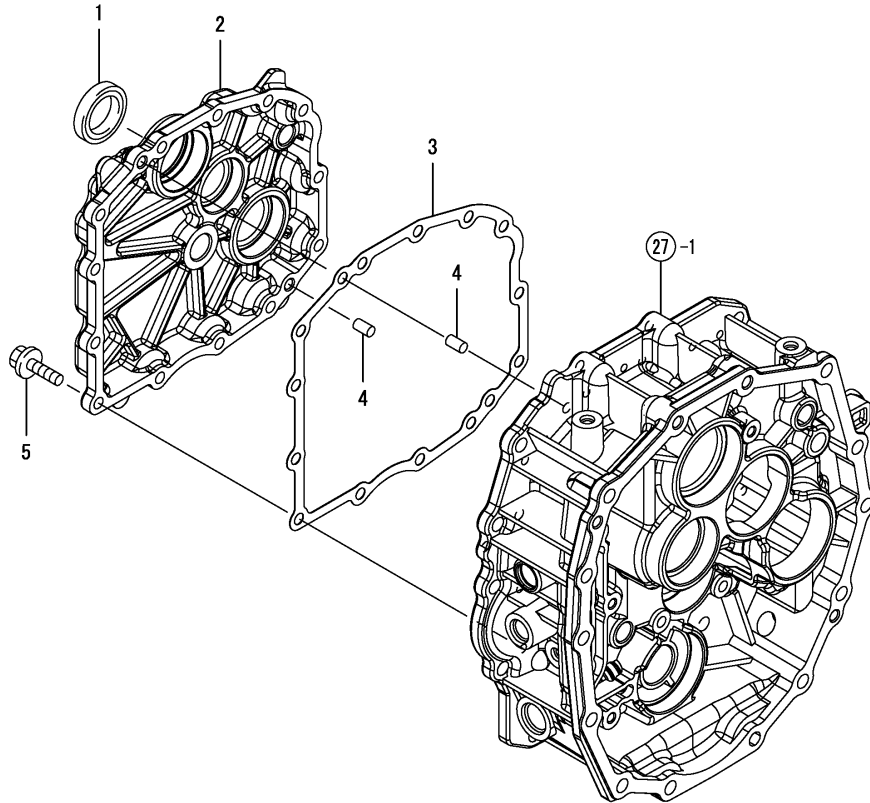


Fig.29. MAIN DRIVE SHAFT

(A)=EF227E
(B)=EF230E
(C)=EF233E

(D)=
(E)=
(F)=

REF.	LEV.	PARTS NO.	DESCRIPTION	Q'TY						I	R
				(A)	(B)	(C)	(D)	(E)	(F)		
1	1	1D2180-22130	BALL BEARING	1	1	1					
2	1	198282-25110	SHAFT, DRIVE	1	1	1					
3	1	198282-25130	GEAR, MAIN DRIVE	1	1	1					
4	1	1E6190-54080	SLEEVE SI25X30X13	1	1	1					
5	1	22242-000340	CIRCLIP 34	1	1	1					
6	1	24101-060054	BALL BEARING 6005	1	1	1					
7	1	24101-062064	BALL BEARING 6206	1	1	1					

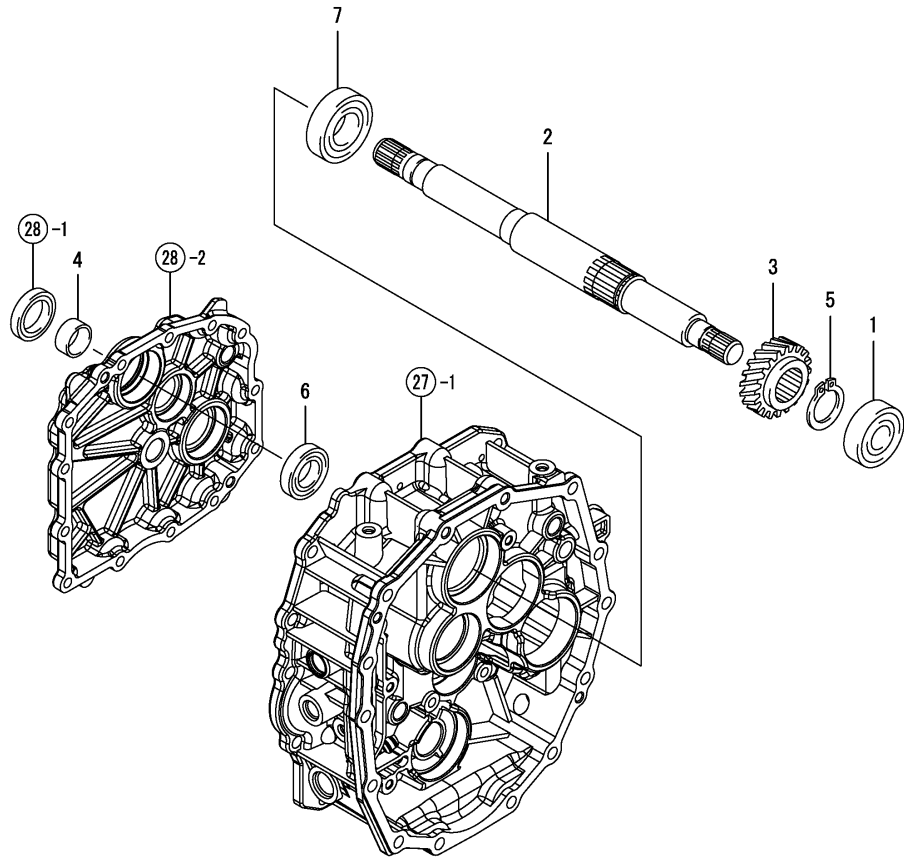


Fig.30. MAIN SHAFT

(A)=EF227E
(B)=EF230E
(C)=EF233E

(D)=
(E)=
(F)=

REF.	LEV.	PARTS NO.	DESCRIPTION	Q'TY						I	R
				(A)	(B)	(C)	(D)	(E)	(F)		
1	1	198200-25120	GEAR, MAIN	1	1	1					
2	1	198200-25210	SHAFT, MAIN	1	1	1					
3	1	24101-063044	BALL BEARING	2	2	2					

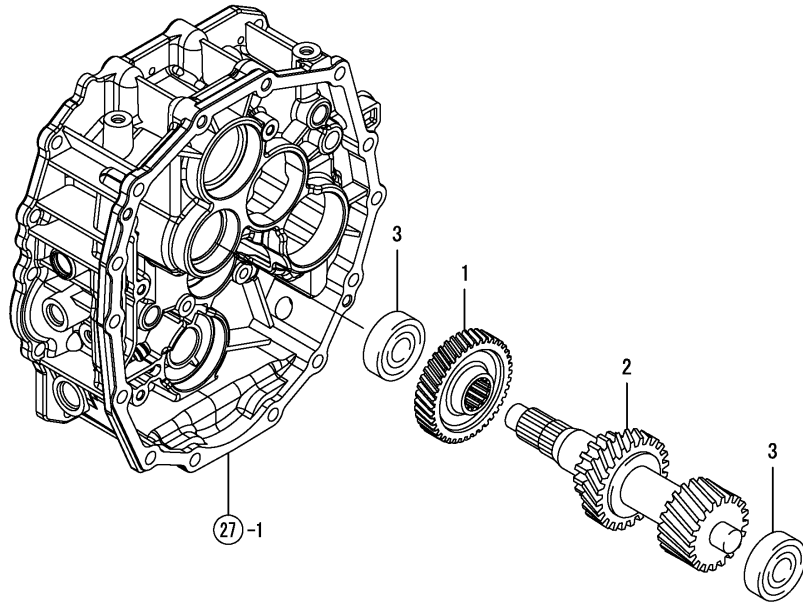
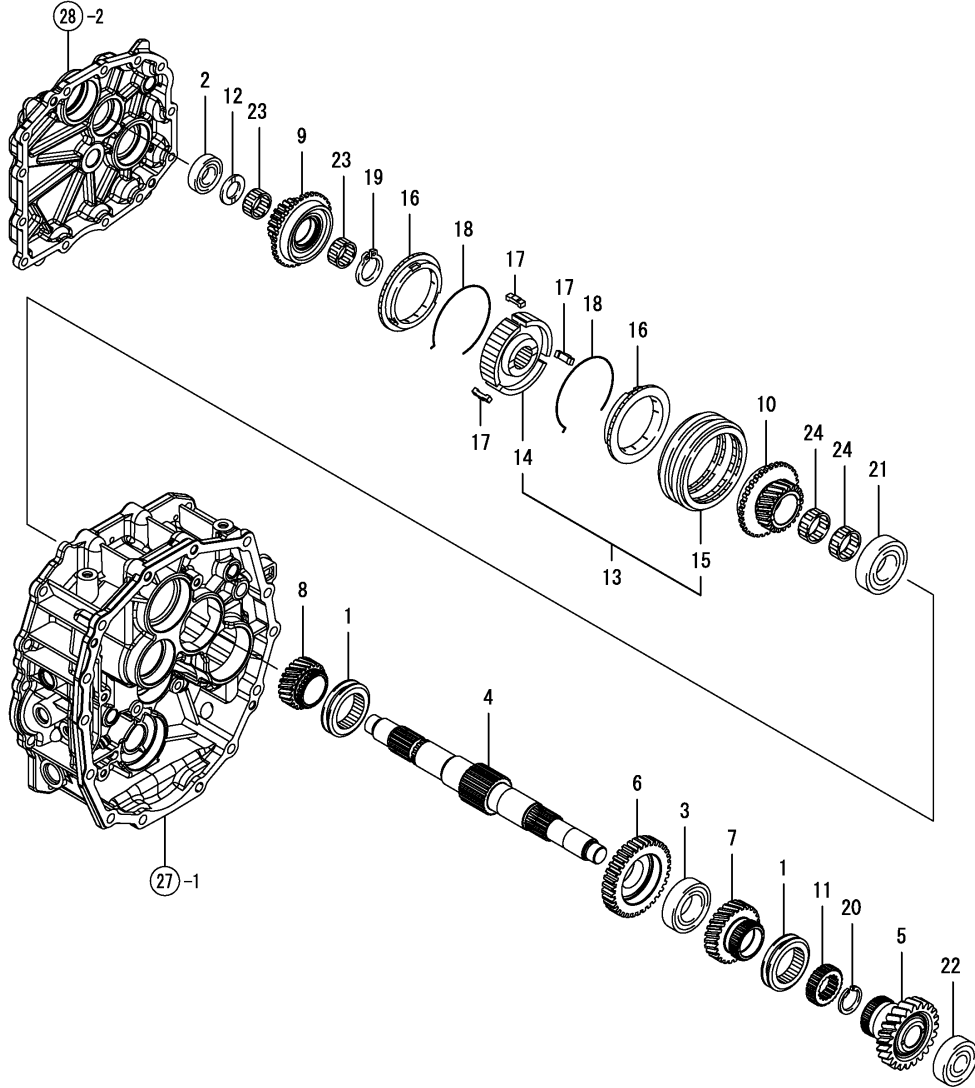


Fig.31. REVERSE SHAFT

(A)=EF227E
(B)=EF230E
(C)=EF233E

(D)=
(E)=
(F)=



REF.	LEV.	PARTS NO.	DESCRIPTION	Q'TY						I	R
				(A)	(B)	(C)	(D)	(E)	(F)		
1	1	198200-25150	SHIFTER, MAIN SHIFT	2	2	2					
2	1	194515-25180	BALL BEARING	1	1	1					
3	1	194800-25250	BALL BEARING	1	1	1					
4	1	198200-25410	SHAFT, REVERSER	1	1	1					
5	1	198200-25420	GEAR, MAIN SHIFT	1	1	1					
6	1	198200-25430	GEAR, MAIN SHIFT	1	1	1					
7	1	198200-25440	GEAR, MAIN SHIFT	1	1	1					
8	1	198200-25450	GEAR, MAIN SHIFT	1	1	1					
9	1	198200-25460	GEAR, DRIVEN	1	1	1					
10	1	198200-25470	GEAR, DRIVEN	1	1	1					
11	1	198200-25480	COLLAR, SPLINE 25	1	1	1					
12	1	198200-25490	WASHER, 20	1	1	1					
13	1	198121-25800	HUB ASSY, SYNCHRO	1	1	1					
14	2	198121-25820	HUB, SYNCHRO	1	1	1					
15	2	198121-25830	SLIDER	1	1	1					
16	1	198121-25840	SYNCHRONIZER RING	2	2	2					
17	1	198121-25850	KEY A SYNCHRONIZER	3	3	3					
18	1	198121-25870	SPRING (SYNCHRONIZE	2	2	2					
19	1	22242-000290	CIRCLIP 29	1	1	1					
20	1	22292-000280	CIRCLIP S-28	1	1	1					
21	1	24101-062064	BALL BEARING 6206	1	1	1					
22	1	24101-063044	BALL BEARING	1	1	1					
23	1	24161-253013	NEEDLE BEARING	2	2	2					
24	1	24161-303513	NEEDLE BEARING	2	2	2					

Fig.32. REDUCTION SHAFT

(A)=EF227E
 (B)=EF230E
 (C)=EF233E

(D)=
 (E)=
 (F)=

REF.	LEV.	PARTS NO.	DESCRIPTION	Q'TY						I	R
				(A)	(B)	(C)	(D)	(E)	(F)		
1	1	198200-25510	SHAFT, REDUCTION	1	1	1					
2	1	198200-25650	GEAR, DRIVE	1	1	1					
3	1	198200-25660	GEAR, REVERSER R	1	1	1					
4	1	194640-26440	BALL BEARING	1	1	1					
5	1	22242-000290	CIRCLIP 29	1	1	1					
6	1	24101-062034	BALL BEARING	1	1	1					
7	1	24101-062044	BALL BEARING #6204	1	1	1					

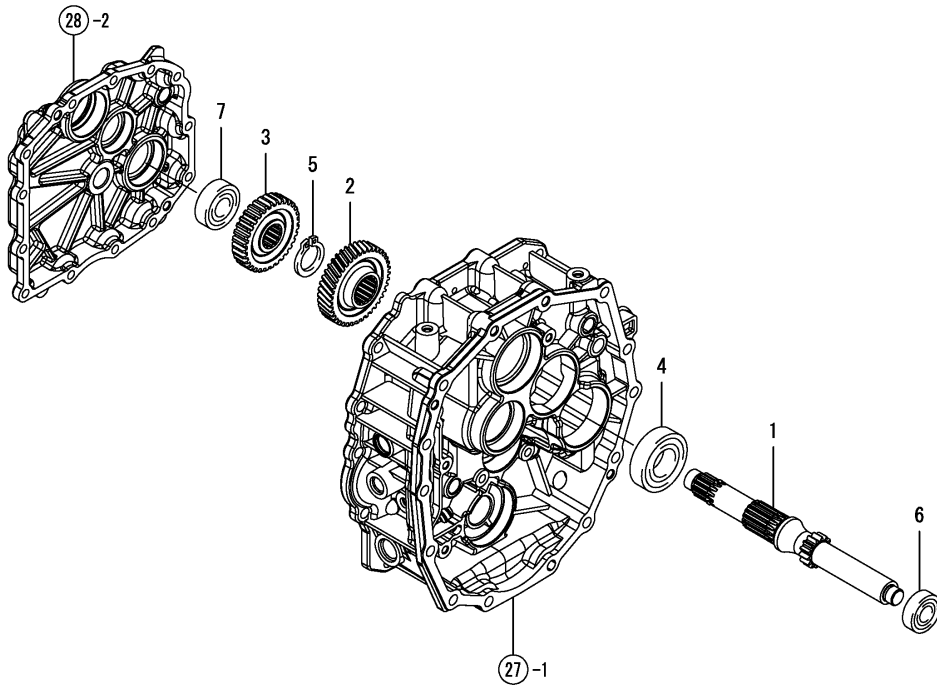
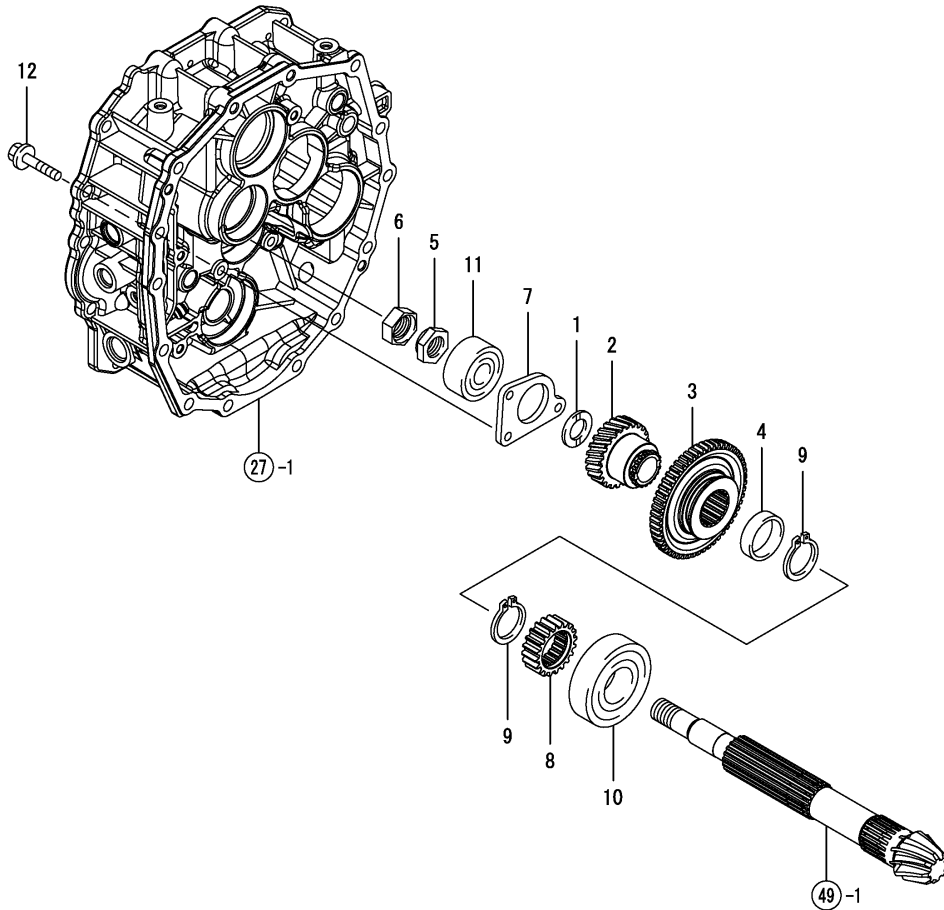


Fig.33. COUNTER SHAFT

(A)=EF227E
(B)=EF230E
(C)=EF233E

(D)=
(E)=
(F)=



REF.	LEV.	PARTS NO.	DESCRIPTION	Q'TY						I	R
				(A)	(B)	(C)	(D)	(E)	(F)		
1	1	198200-25490	WASHER, 20	1	1	1					
2	1	198200-25520	GEAR, COUNTER	1	1	1					
3	1	198200-25530	GEAR, SLIDE	1	1	1					
4	1	198282-25540	COLLAR, 36X43X11	1	1	1					
5	1	198200-25550	NUT, 20	1	1	1					
6	1	198200-25560	NUT, 20	1	1	1					
7	1	198200-25590	PLATE, KEEP	1	1	1					
8	1	198200-28250	GEAR, FRONT DRIVE	1	1	1					
9	1	22242-000340	CIRCLIP 34	2	2	2					
10	1	24101-063074	BEARING	1	1	1					
11	1	24512-053044	BEARING	1	1	1					
12	1	26106-080402	BOLT M 8X 40 PLATED	3	3	3					

Fig.34. REVERSE IDLE SHAFT

(A)=EF227E
 (B)=EF230E
 (C)=EF233E

(D)=
 (E)=
 (F)=

REF.	LEV.	PARTS NO.	DESCRIPTION	Q'TY						I	R
				(A)	(B)	(C)	(D)	(E)	(F)		
1	1	198200-25490	WASHER, 20	1	1	1					
2	1	198172-25630	NUT	1	1	1					
3	1	198172-25640	NUT	1	1	1					
4	1	198200-25910	SHAFT, REVERSE IDLE	1	1	1					
5	1	198200-25930	GEAR, REVERSE IDLE	1	1	1					
6	1	22137-120000	WASHER 12,POLISHED	1	1	1					
7	1	24161-253017	NEEDLE BEARING	1	1	1					
8	1	24311-000160	O-RING 1A P-16.0	1	1	1					

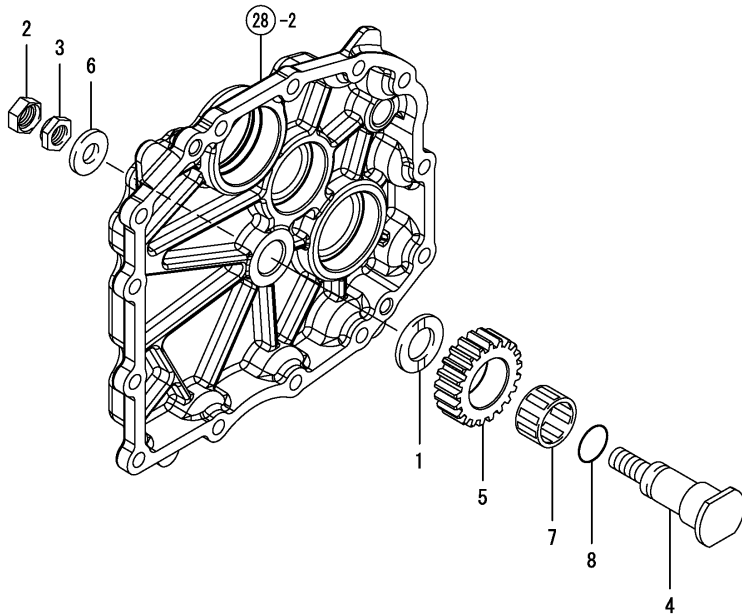


Fig.35. P.T.O. DRIVE SHAFT

(A)=EF227E
(B)=EF230E
(C)=EF233E

(D)=
(E)=
(F)=

REF.	LEV.	PARTS NO.	DESCRIPTION	Q'TY						I	R
				(A)	(B)	(C)	(D)	(E)	(F)		
1	1	198212-25150	COUPLING 13*16/32	1	1	1					
2	1	194640-25390	BALL BEARING	1	1	1					
3	1	198282-26250	SHAFT, PINION	1	1	1					
4	1	22252-000190	CIRCLIP 19	1	1	1					
5	1	24101-063054	BEARING #6305	1	1	1					

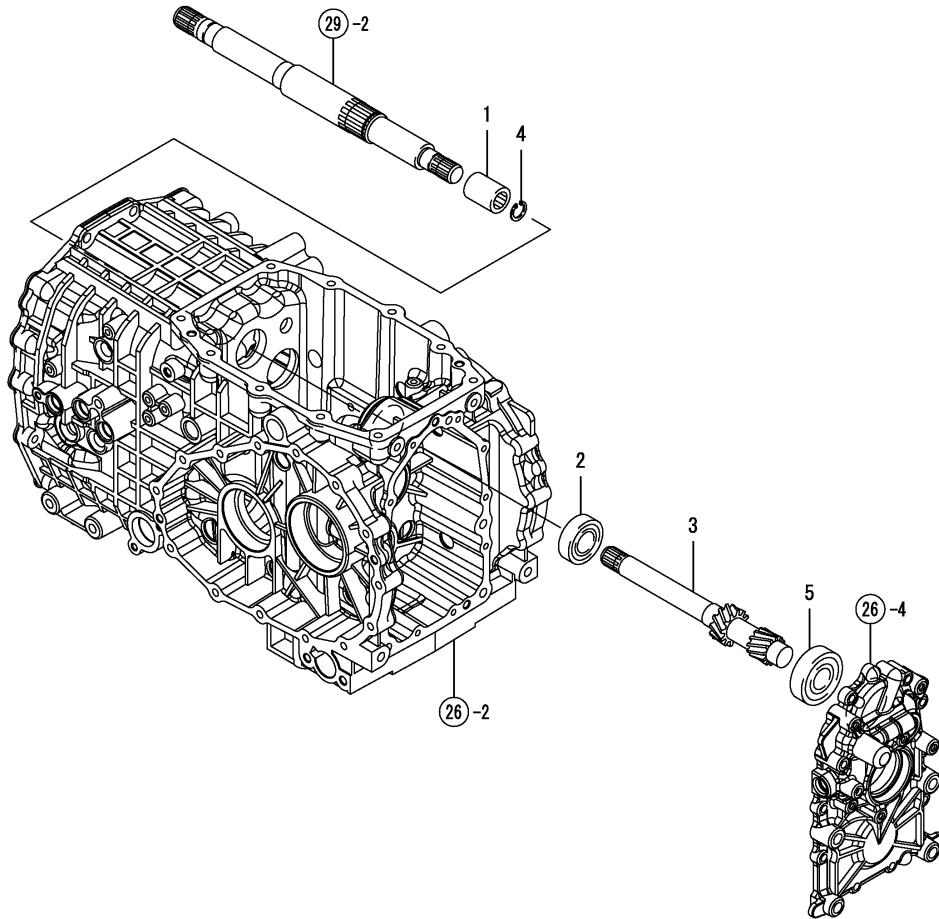
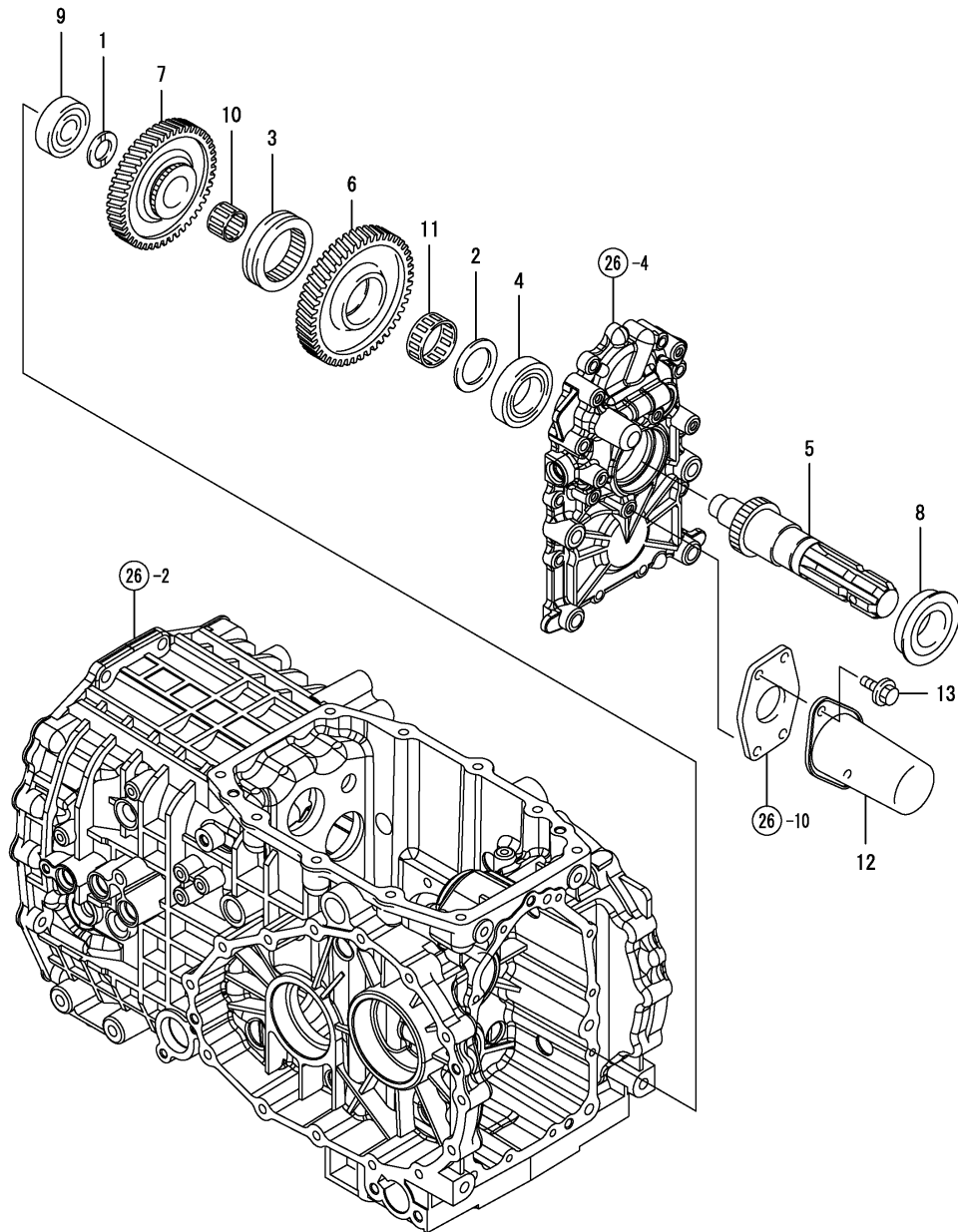


Fig.36. P.T.O. SHAFT



(A)=EF227E
(B)=EF230E
(C)=EF233E

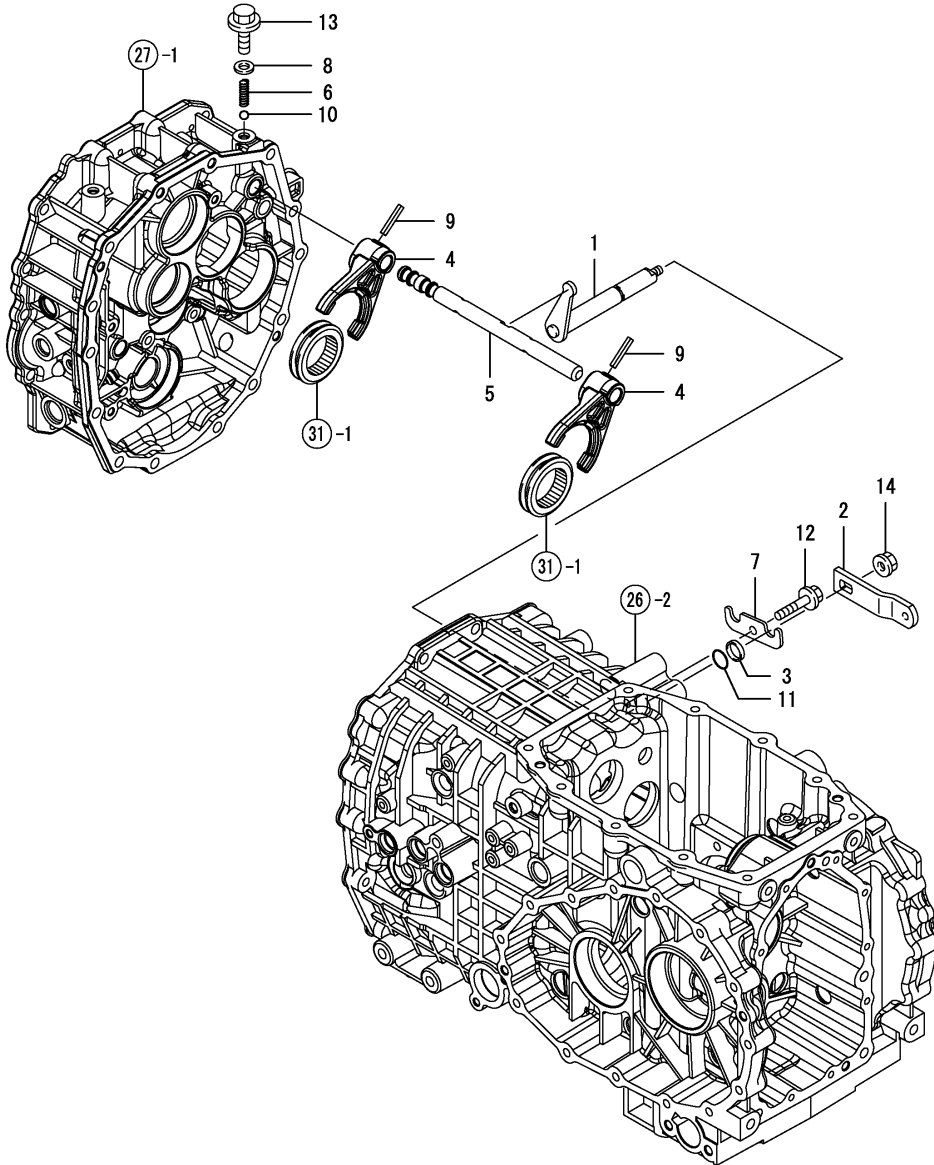
(D)=
(E)=
(F)=

REF.	LEV.	PARTS NO.	DESCRIPTION	Q'TY						I	R
				(A)	(B)	(C)	(D)	(E)	(F)		
1	1	198200-25490	WASHER, 20	1	1	1					
2	1	194180-25550	WASHER 35X50X3	1	1	1					
3	1	198149-25890	SHIFTER	1	1	1					
4	1	194680-25940	BEARING (TMB007)	1	1	1					
5	1	198282-26310	SHAFT, PTO.	1	1	1					
6	1	198282-26320	GEAR, PTO. DRIVEN	1	1	1					
7	1	198282-26330	GEAR, PTO. DRIVEN	1	1	1					
8	1	194370-26350	SEAL QLF 35 60 19	1	1	1					
9	1	24101-063044	BALL BEARING	1	1	1					
10	1	24161-253020	NEEDLE, 253020	1	1	1					
11	1	24161-404517	NEEDLE BEARING	1	1	1					
12	1	1A7100-26850	COVER M COMP.,SHAFT	1	1	1					
13	1	26106-080122	BOLT M 8X 12 PLATED	2	2	2					

Fig.37. MAIN CHANGE SHIFT

(A)=EF227E
(B)=EF230E
(C)=EF233E

(D)=
(E)=
(F)=



REF.	LEV.	PARTS NO.	DESCRIPTION	Q'TY						I	R
				(A)	(B)	(C)	(D)	(E)	(F)		
1	1	198200-27110	ARM, MAIN SHIFT	1	1	1					
2	1	198200-27141	ARM, MAIN SHIFT	1	1	1					
3	1	198119-27150	COLLOR	1	1	1					
4	1	198200-27170	FORK, SHIFT MAIN	2	2	2					
5	1	198200-27180	SHAFT, FORK MAIN	1	1	1					
6	1	194145-27450	SPRING	1	1	1					
7	1	198200-27740	PLATE B	1	1	1					
8	1	22190-100000	SEAL WASHER 10(BOLT)	1	1	1					
9	1	22351-060032	SPRING PIN 6X32	2	2	2					
10	1	24190-100001	BALL 5/16, STEEL	1	1	1					
11	1	24311-000160	O-RING 1A P-16.0	1	1	1					
12	1	26106-080402	BOLT M 8X 40 PLATED	1	1	1					
13	1	26106-100162	BOLT M10X 16 PLATED	1	1	1					
14	1	26366-080002	NUT M 8	1	1	1					

Fig.38. MAIN CHANGE LEVER

(A)=EF227E
(B)=EF230E
(C)=EF233E

(D)=
(E)=
(F)=

REF.	LEV.	PARTS NO.	DESCRIPTION	Q'TY						I	R
				(A)	(B)	(C)	(D)	(E)	(F)		
1	1	198200-28101	LEVER ASSY, SHIFT	1	1	1					
2	2	24550-016100	BUSH 16X10,DRY	2	2	2					
3	1	198200-28160	BRACKET R,LEVER	1	1	1					
4	1	198221-28450	WASHER 16	1	1	1					
5	1	198200-28650	SHAFT,MAIN LEVER	1	1	1					
6	1	26106-060122	BOLT M 6X 12 PLATED	1	1	1					
7	1	26106-080162	BOLT M 8X 16 PLATED	3	3	3					

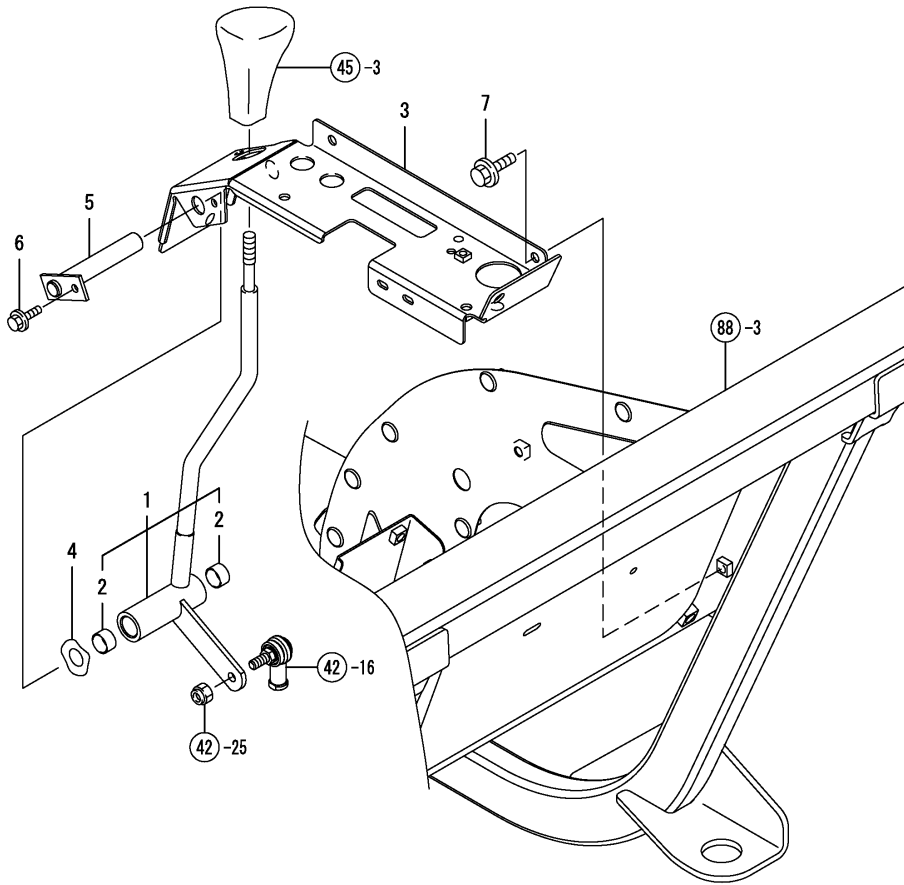


Fig.39. REVERSE SHIFT

(A)=EF227E

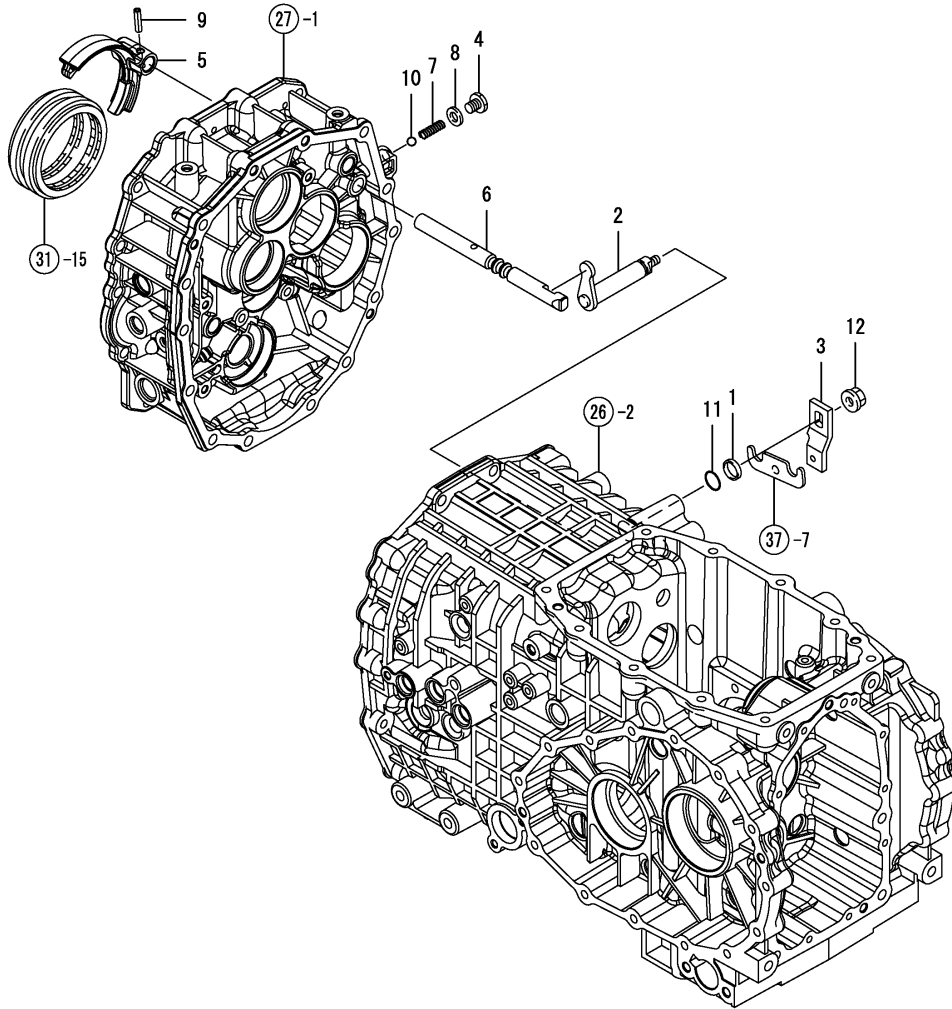
(B)=EF230E

(C)=EF233E

(D)=

(E)=

(F)=



REF.	LEV.	PARTS NO.	DESCRIPTION	Q'TY						I	R
				(A)	(B)	(C)	(D)	(E)	(F)		
1	1	198119-27150	COLLOR	1	1	1					
2	1	198200-27310	ARM, SHIFT REVERSER	1	1	1					
3	1	198200-27340	ARM, REVERSE SHIFT	1	1	1					
4	1	198200-27360	PLUG 10	1	1	1					
5	1	198200-27370	FORK, SHIFT REVERSER	1	1	1					
6	1	198200-27380	SHAFT, FORK REVERSER	1	1	1					
7	1	194145-27450	SPRING	1	1	1					
8	1	22190-100000	SEAL WASHER 10(BOLT)	1	1	1					
9	1	22351-060025	SPRING PIN 6X25	1	1	1					
10	1	24190-100001	BALL 5/16, STEEL	1	1	1					
11	1	24311-000160	O-RING 1A P-16.0	1	1	1					
12	1	26366-080002	NUT M 8	1	1	1					

Fig.40. REVERSE LEVER

(A)=EF227E
 (B)=EF230E
 (C)=EF233E

(D)=
 (E)=
 (F)=

REF.	LEV.	PARTS NO.	DESCRIPTION	Q'TY						I	R
				(A)	(B)	(C)	(D)	(E)	(F)		
1	1	198200-27530	CABLE ASSY, REVERSER	1	1	1					
2	1	22137-060000	WASHER 6, POLISHED	2	2	2					
3	1	22417-160180	COTTER PIN 1.6X18	2	2	2					
4	1	22487-060160	PIN 6X 16	2	2	2					

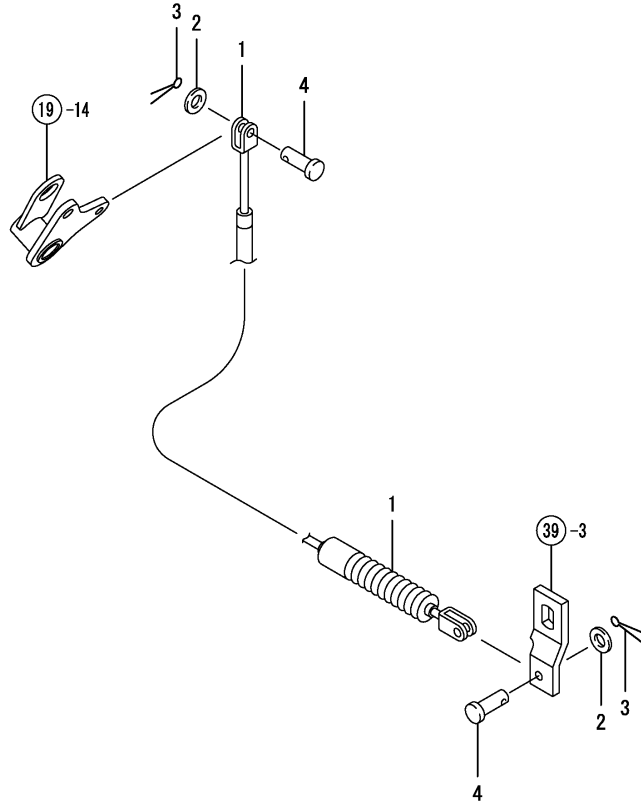


Fig.41. SUB CHANGE SHIFT

(A)=EF227E
(B)=EF230E
(C)=EF233E

(D)=
(E)=
(F)=

REF.	LEV.	PARTS NO.	DESCRIPTION	Q'TY						I	R
				(A)	(B)	(C)	(D)	(E)	(F)		
1	1	198119-27150	COLLOR	1	1	1					
2	1	194145-27450	SPRING	1	1	1					
3	1	198282-27520	ARM, RANGE SHIFT	1	1	1					
4	1	198119-27570	PLATE	1	1	1					
5	1	198282-27570	SHAFT, FORK	1	1	1					
6	1	198282-27580	FORK, RANGE SHIFT	1	1	1					
7	1	198282-27590	BOLT, SET	1	1	1					
8	1	198072-27650	ARM, SHIFT	1	1	1					
9	1	22190-100000	SEAL WASHER 10(BOLT)	1	1	1					
10	1	22351-060032	SPRING PIN 6X32	1	1	1					
11	1	24190-100001	BALL 5/16, STEEL	1	1	1					
12	1	24311-000160	O-RING 1A P-16.0	1	1	1					
13	1	26106-080162	BOLT M 8X 16 PLATED	1	1	1					

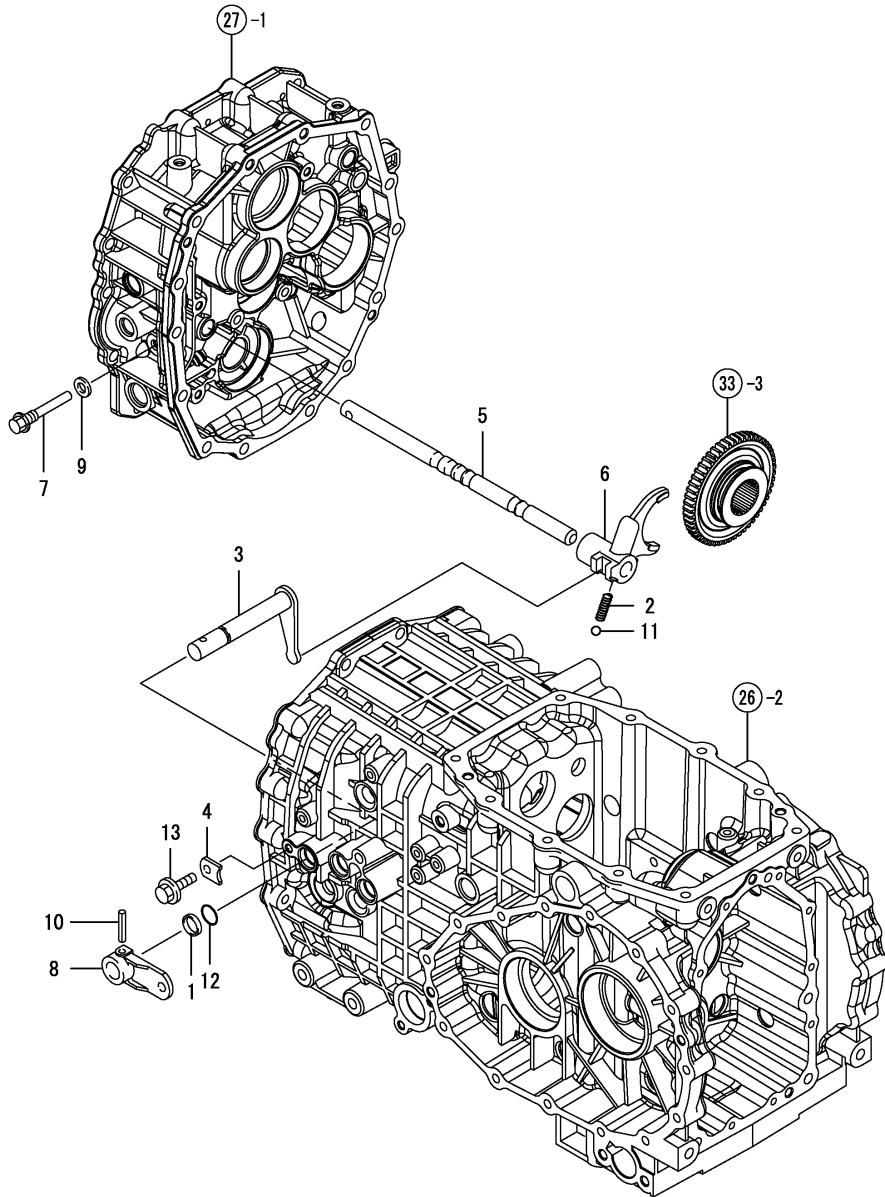
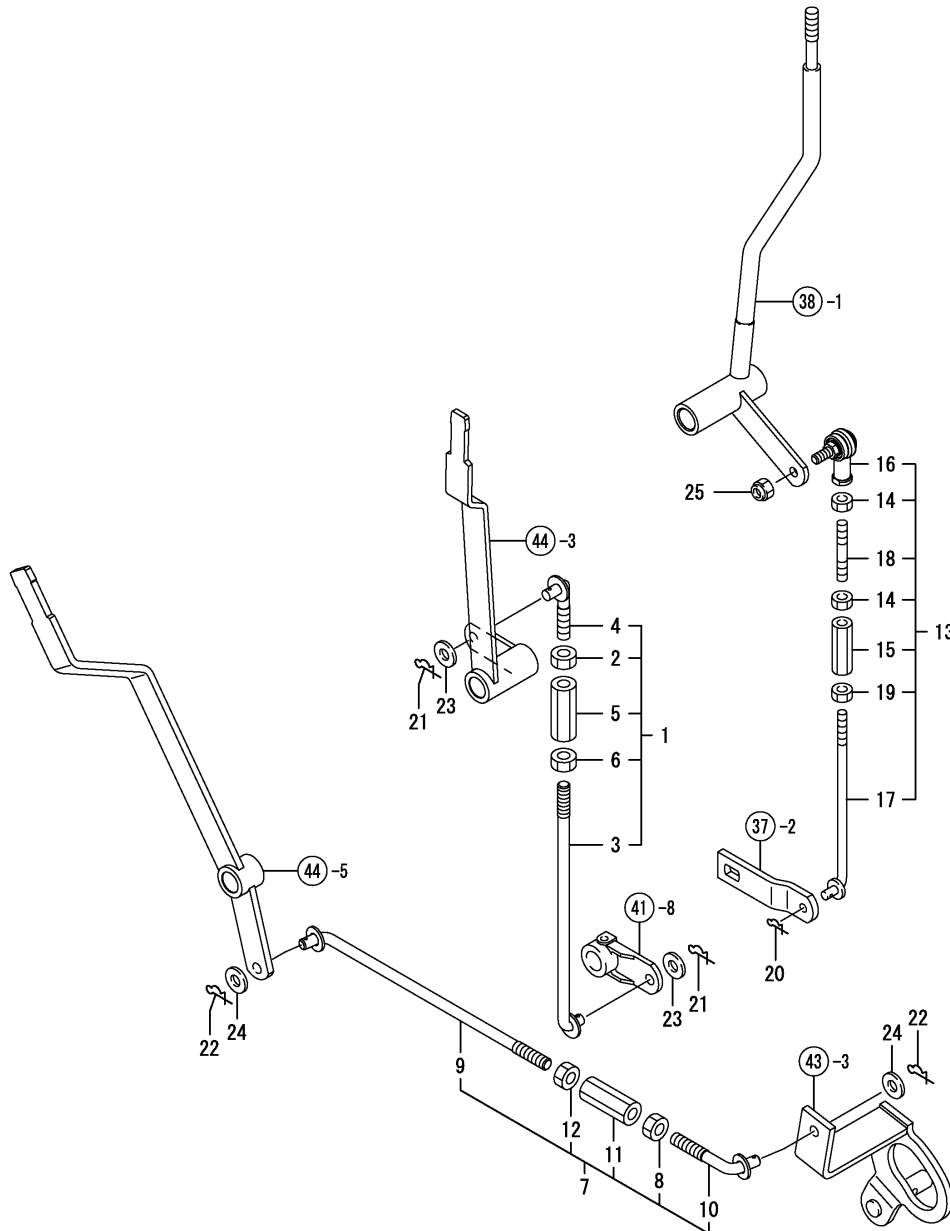


Fig.42. SHIFT LINK

(A)=EF227E
(B)=EF230E
(C)=EF233E

(D)=
(E)=
(F)=



REF.	LEV.	PARTS NO.	DESCRIPTION	Q'TY						I	R
				(A)	(B)	(C)	(D)	(E)	(F)		
1	1	198280-27650	ROD ASSY, RENGE SHIF	1	1	1					
2	2	194150-22480	NUT M10	1	1	1					
3	2	198280-27660	ROD ASSY, M10	1	1	1					
4	2	198121-28160	ROD M10,LEFT	1	1	1					
5	2	194250-47490	TURNBUCKLE 10X50	1	1	1					
6	2	26716-100002	NUT 10	1	1	1					
7	1	198282-27960	ROD ASSY,PTO SHIFT	1	1	1					
8	2	194150-22480	NUT M10	1	1	1					
9	2	198282-27970	ROD,A ASSY,PTO SHIFT	1	1	1					
10	2	198280-28000	L-BOLT,M10 L	1	1	1					
11	2	194250-47490	TURNBUCKLE 10X50	1	1	1					
12	2	26716-100002	NUT 10	1	1	1					
13	1	198200-28051	ROD ASSY, MAIN SHIFT	1	1	1					
14	2	194990-20170	NUT W/WASHER 8	2	2	2					
15	2	1C6140-43442	TURNBUCKLE 8X46	1	1	1					
16	2	194820-27370	END (L), ROD	1	1	1					
17	2	198200-28061	ROD, SHIFT	1	1	1					
18	2	198200-28080	ROD	1	1	1					
19	2	26716-080002	NUT M 8	1	1	1					
20	1	1C6281-52320	PIN 8,COME-OFF SNAP	1	1	1					
21	1	1C6360-65700	SNAP PIN 10	2	2	2					
22	1	1C6360-65700	SNAP PIN 10	2	2	2					
23	1	22137-100000	WASHER 10,POLISHED	2	2	2					
24	1	22137-100000	WASHER 10,POLISHED	2	2	2					
25	1	26346-080002	U-NUT M 8 PLATED	1	1	1					

Fig.43. P.T.O. SHIFT

(A)=EF227E

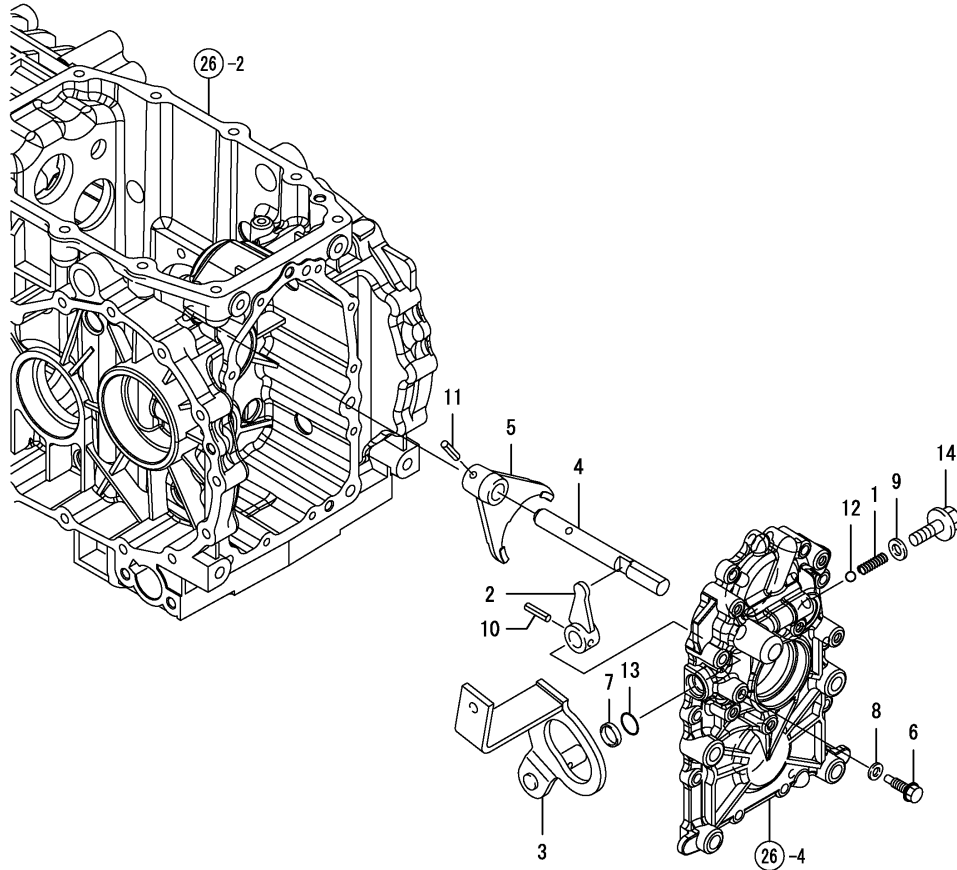
(B)=EF230E

(C)=EF233E

(D)=

(E)=

(F)=



REF.	LEV.	PARTS NO.	DESCRIPTION	Q'TY						I	R
				(A)	(B)	(C)	(D)	(E)	(F)		
1	1	194680-27540	SPRING, FORK LOCK	1	1	1					
2	1	198280-27710	ARM, PTO. SHIFT	1	1	1					
3	1	198282-27740	ARM, PTO. SHIFT	1	1	1					
4	1	198280-27770	SHAFT, FORK PTO.	1	1	1					
5	1	198282-27780	FORK, PTO SHIFT	1	1	1					
6	1	198280-27790	BOLT, SET	1	1	1					
7	1	198121-28380	COLLAR B, SHIFT ARM	1	1	1					
8	1	22190-080000	SEAL WASHER 8(BOLT)	1	1	1					
9	1	22190-100000	SEAL WASHER 10(BOLT)	1	1	1					
10	1	22351-060025	SPRING PIN 6X25	1	1	1					
11	1	22351-060025	SPRING PIN 6X25	1	1	1					
12	1	24190-080001	BALL 1/4, STEEL	1	1	1					
13	1	24311-000150	O-RING 1A P-15.0	1	1	1					
14	1	26106-100302	BOLT M10X 30 PLATED	1	1	1					

Fig.44. SUB CHANGE & P.T.O. LEVER

(A)=EF227E

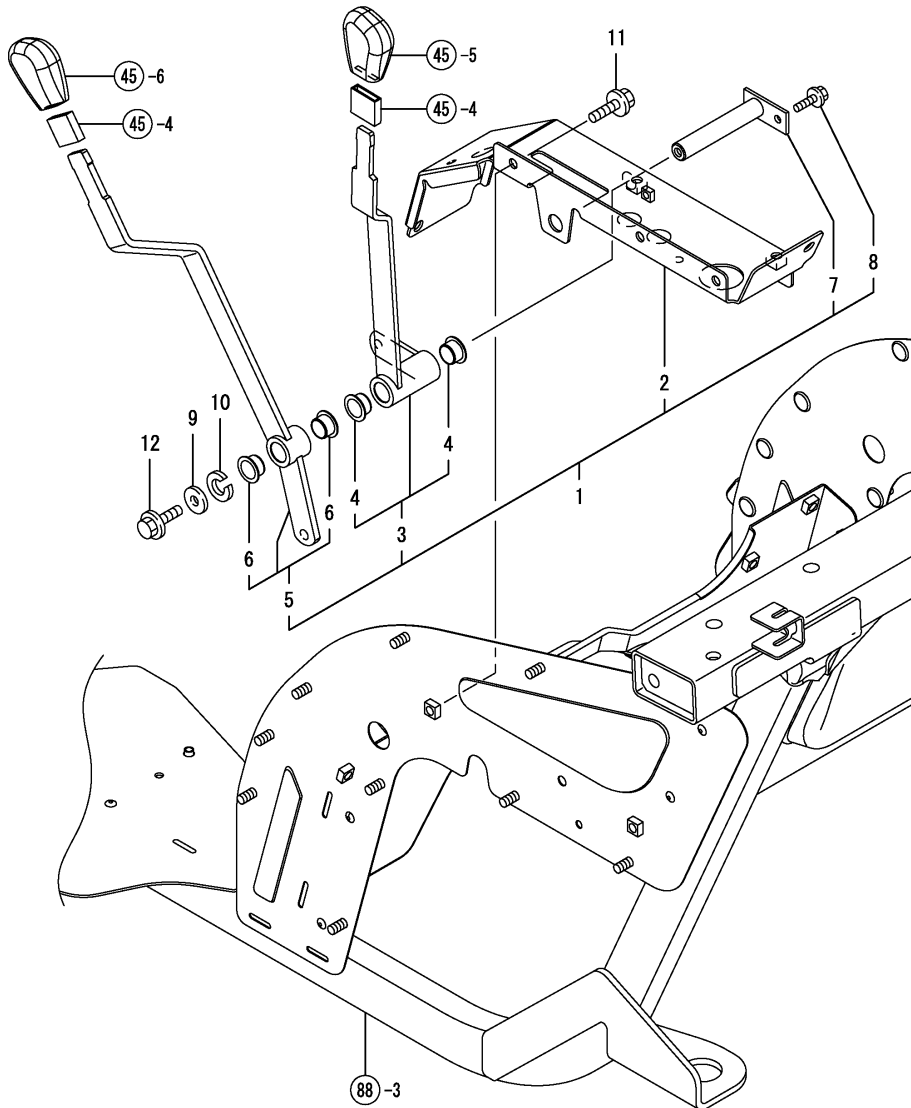
(B)=EF230E

(C)=EF233E

(D)=

(E)=

(F)=



REF.	LEV.	PARTS NO.	DESCRIPTION	Q'TY						I	R
				(A)	(B)	(C)	(D)	(E)	(F)		
1	1	198282-27800	LEVER ASSY	1	1	1					
I	2	198200-27640	BRACKET, LEVER L	1	1	1					
3	2	198282-27820	LEVER ASSY,SHIFT	1	1	1					
4	3	1S6489-63330	LFF 1610	2	2	2					
5	2	198282-27880	LEVER ASSY,PTO SHIF	1	1	1					
6	3	1S6489-63330	LFF 1610	2	2	2					
7	2	198200-28660	SHAFT, LEVER	1	1	1					
8	2	26116-060122	BOLT 6X12	1	1	1					
9	1	22157-080000	WASHER 8	1	1	1					
10	1	22217-160000	SPRING WASHER 16	1	1	1					
11	1	26106-080162	BOLT M 8X 16 PLATED	4	4	4					
12	1	26106-080162	BOLT M 8X 16 PLATED	1	1	1					

Fig.45. KNOB

(A)=EF227E
(B)=EF230E
(C)=EF233E

(D)=
(E)=
(F)=

REF.	LEV.	PARTS NO.	DESCRIPTION	Q'TY						I	R
				(A)	(B)	(C)	(D)	(E)	(F)		
1	1	194464-01190	KNOB, THROTTLE LEVER	1	1	1					
2	1	198273-18350	KNOB;REVERSER LEVER	1	1	1					
3	1	1A7600-27310	KNOB, MAIN SHIFT	1	1	1					
4	1	174845-27700	BOOT, SHAFT	2	2	2					
5	1	198200-27810	KNOB, ORANGE	1	1	1					
6	1	198200-27910	KNOB, YELLOW	1	1	1					
7	1	198273-28520	KNOB,P BRAKE	1	1	1					

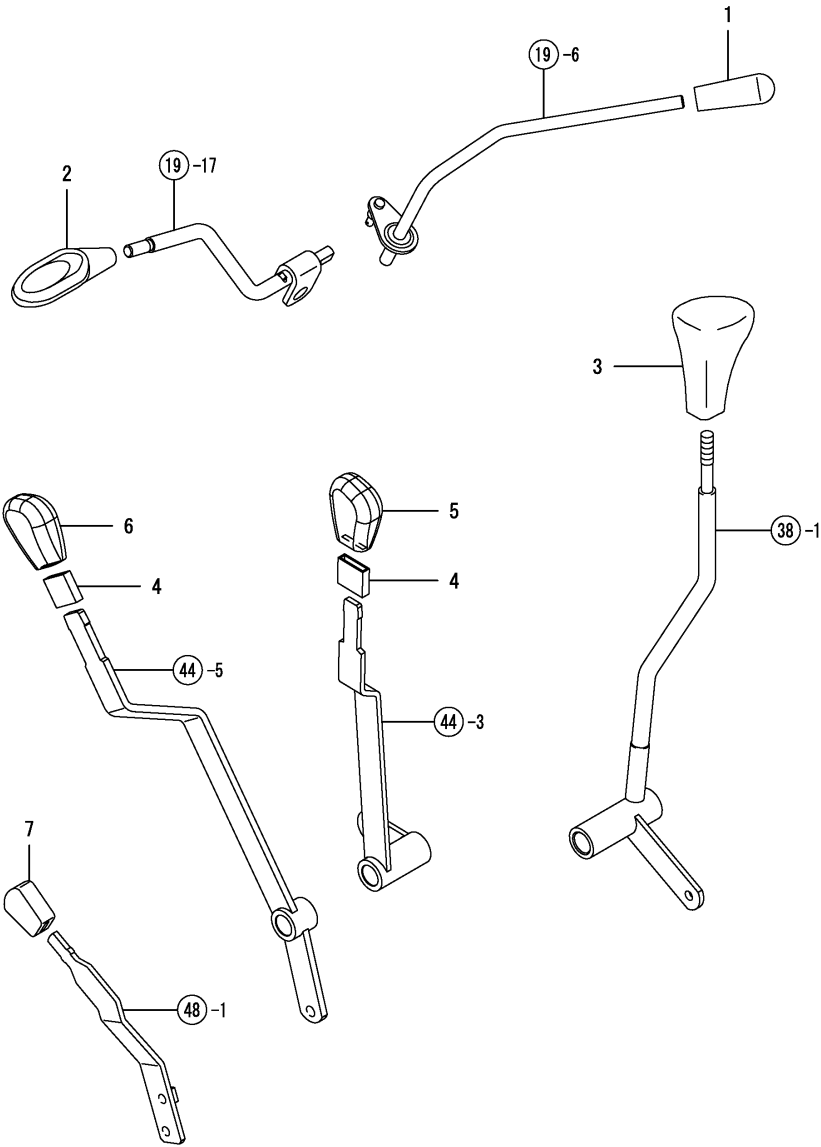
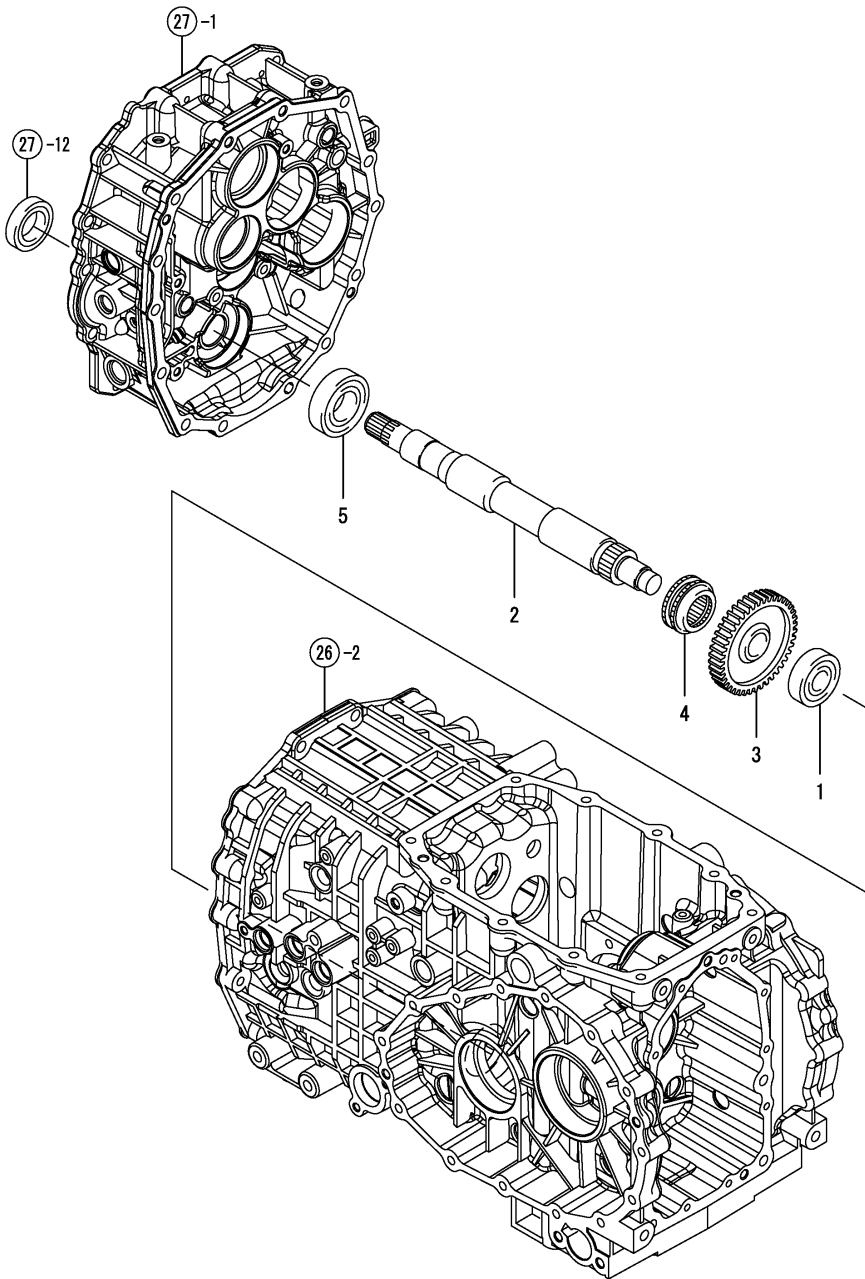


Fig.46. FRONT DRIVE



(A)=EF227E
(B)=EF230E
(C)=EF233E

(D)=
(E)=
(F)=

REF.	LEV.	PARTS NO.	DESCRIPTION	Q'TY						I	R
				(A)	(B)	(C)	(D)	(E)	(F)		
1	1	194447-13860	BALL BEARING	1	1	1					
2	1	198282-28180	SHAFT, FRONT DRIVE	1	1	1					
3	1	198282-28340	GEAR, FRONT DRIVE	1	1	1					
4	1	198282-28360	SHIFTER	1	1	1					
5	1	24101-062064	BALL BEARING 6206	1	1	1					

Fig.47. FRONT SHIFT

(A)=EF227E
(B)=EF230E
(C)=EF233E

(D)=
(E)=
(F)=

REF.	LEV.	PARTS NO.	DESCRIPTION	Q'TY						I	R
				(A)	(B)	(C)	(D)	(E)	(F)		
1	1	198119-27150	COLLOR	1	1	1					
2	1	194145-27450	SPRING	1	1	1					
3	1	198200-27730	PLATE A,KEEP	1	1	1					
4	1	198282-28410	ARM, 4WD SHIFT	1	1	1					
5	1	198282-28430	FORK, 4WD SHIFT	1	1	1					
6	1	198282-28440	ARM, 4WD SHIFT	1	1	1					
7	1	24190-100001	BALL 5/16, STEEL	1	1	1					
8	1	24311-000160	O-RING 1A P-16.0	1	1	1					
9	1	26106-080402	BOLT M 8X 40 PLATED	1	1	1					
10	1	26366-080002	NUT M 8	1	1	1					

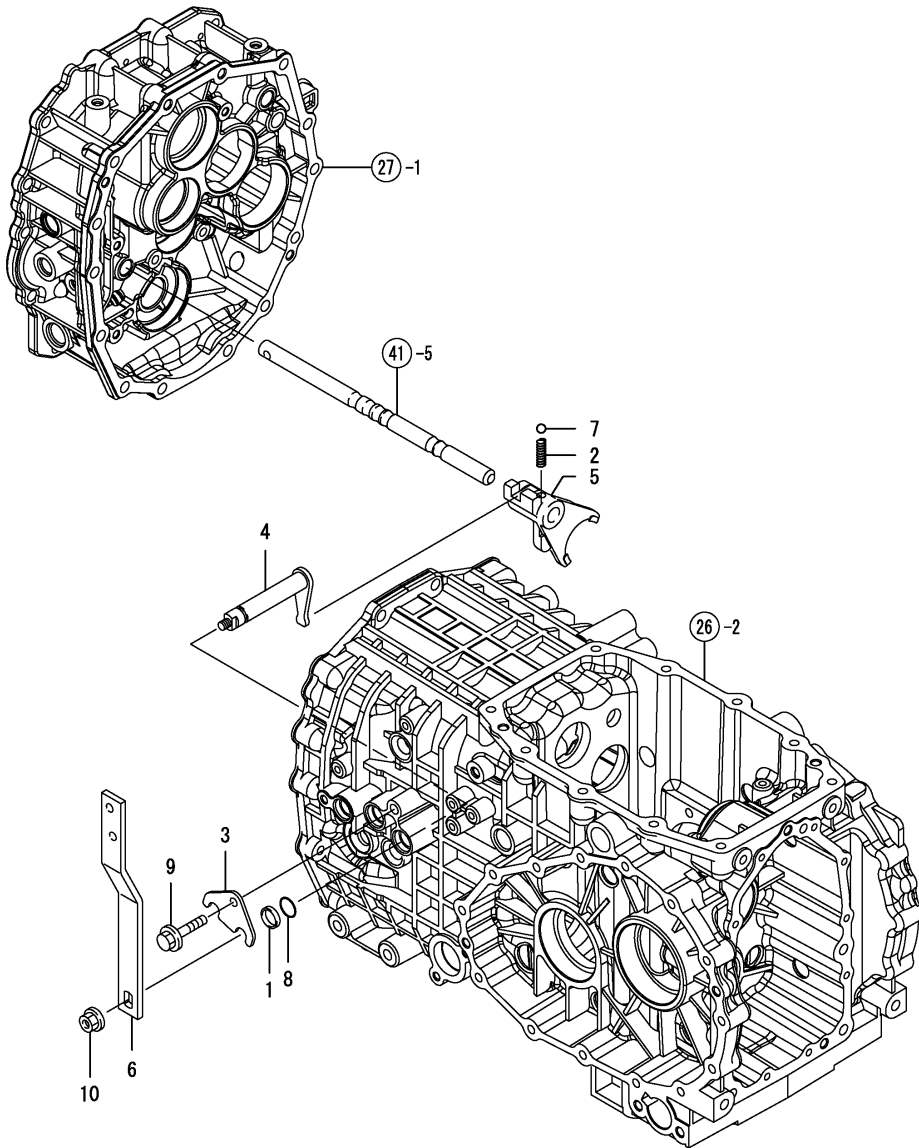


Fig.48. 4WD LEVER

(A)=EF227E
(B)=EF230E
(C)=EF233E

(D)=
(E)=
(F)=

REF.	LEV.	PARTS NO.	DESCRIPTION	Q'TY						I	R
				(A)	(B)	(C)	(D)	(E)	(F)		
1	1	198282-28460	LEVER, 4WD SHIFT	1	1	1					
2	1	26106-080202	BOLT M 8X 20 PLATED	2	2	2					

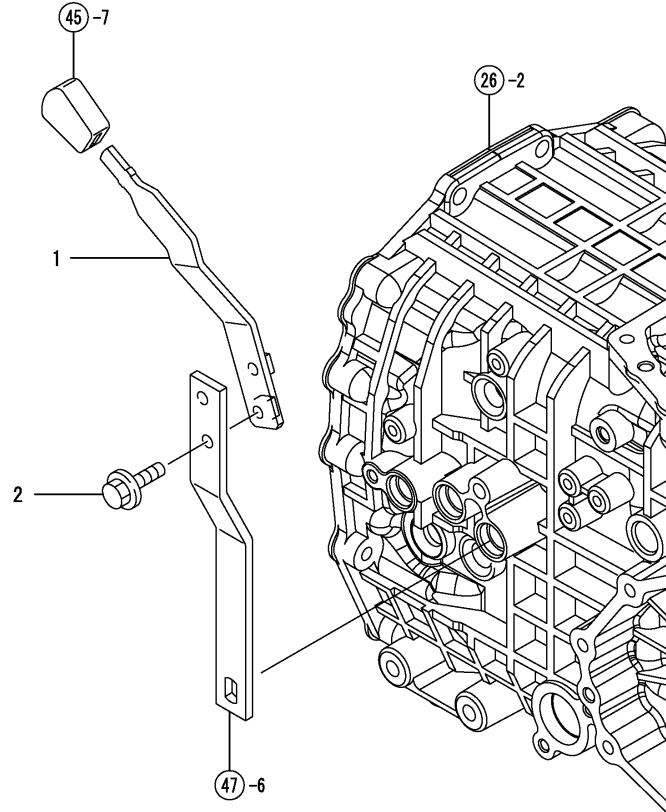
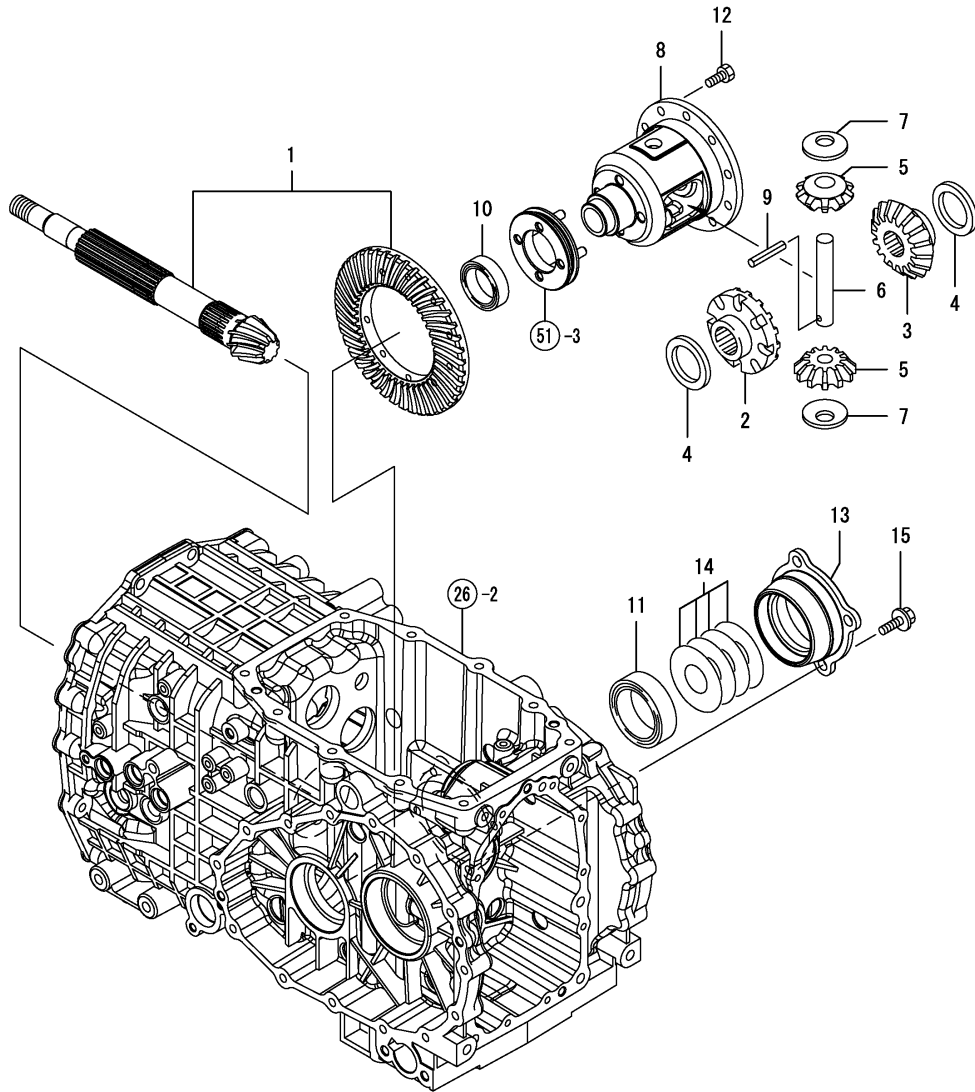


Fig.49. RING GEAR & DIFFERENTIAL GEAR



(A)=EF227E
(B)=EF230E
(C)=EF233E

(D)=
(E)=
(F)=

REF.	LEV.	PARTS NO.	DESCRIPTION	Q'TY						I	R
				(A)	(B)	(C)	(D)	(E)	(F)		
1	1	198200-31400	GEAR ASSY, RING	1	1	1					
2	1	198200-31510	GEAR, DIFF. SIDE L	1	1	1					
3	1	194525-31520	GEAR R,DIFF.SIDE	1	1	1					
4	1	194515-31610	WASHER, DIFFERENTIAL	2	2	2					
5	1	198200-31810	PINION, DIFF.	2	2	2					
6	1	198200-31820	SHAFT, DIFF. PINION	1	1	1					
7	1	194515-31850	WASHER, DIFFERENTIAL	2	2	2					
8	1	198200-32110	HOUSING, DIFF.	1	1	1					
9	1	22351-040040	SPRING PIN 4X40	1	1	1					
10	1	24101-060074	BALL BEARING	1	1	1					
11	1	24101-062074	BALL BEARING	1	1	1					
12	1	26116-080162	BOLT 8X16	10	10	10					
13	1	198200-32320	CARRIER, DIFF.	1	1	1					
14	1	194850-32340	SHIM SET	1	1	1					
15	1	26106-100252	BOLT M10X 25 PLATED	4	4	4					

Fig.50. REAR HOUSING

(A)=EF227E
(B)=EF230E
(C)=EF233E

(D)=
(E)=
(F)=

REF.	LEV.	PARTS NO.	DESCRIPTION	Q'TY						I	R
				(A)	(B)	(C)	(D)	(E)	(F)		
1	1	198200-32600	HOUSING ASSY, AXLE	2	2	2					
2	2	198290-32750	SEAL TC253506,OIL	2	2	2					
3	1	198200-32630	GASKET, REAR AXLE	2	2	2					
4	1	198200-32660	GASKET, SEAL HOUSING	2	2	2					
5	1	198475-32660	SEAL QLNY527514.5	2	2	2					
6	1	198200-32731	HOUSING, SEAL	2	2	2					
7	1	22312-080140	PIN 8X14,STRAIGHT	4	4	4					
8	1	26106-080402	BOLT M 8X 40 PLATED	8	8	8					
9	1	26106-100502	BOLT M10X 50 PLATED	28	28	28					

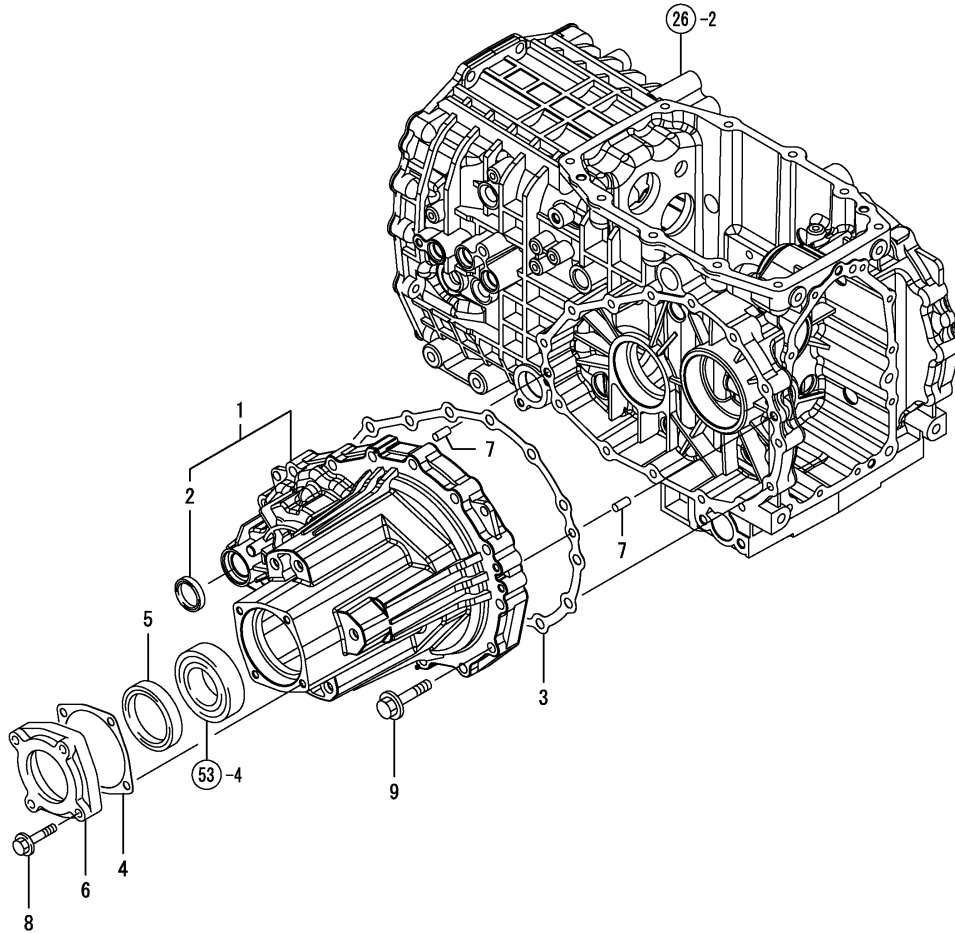
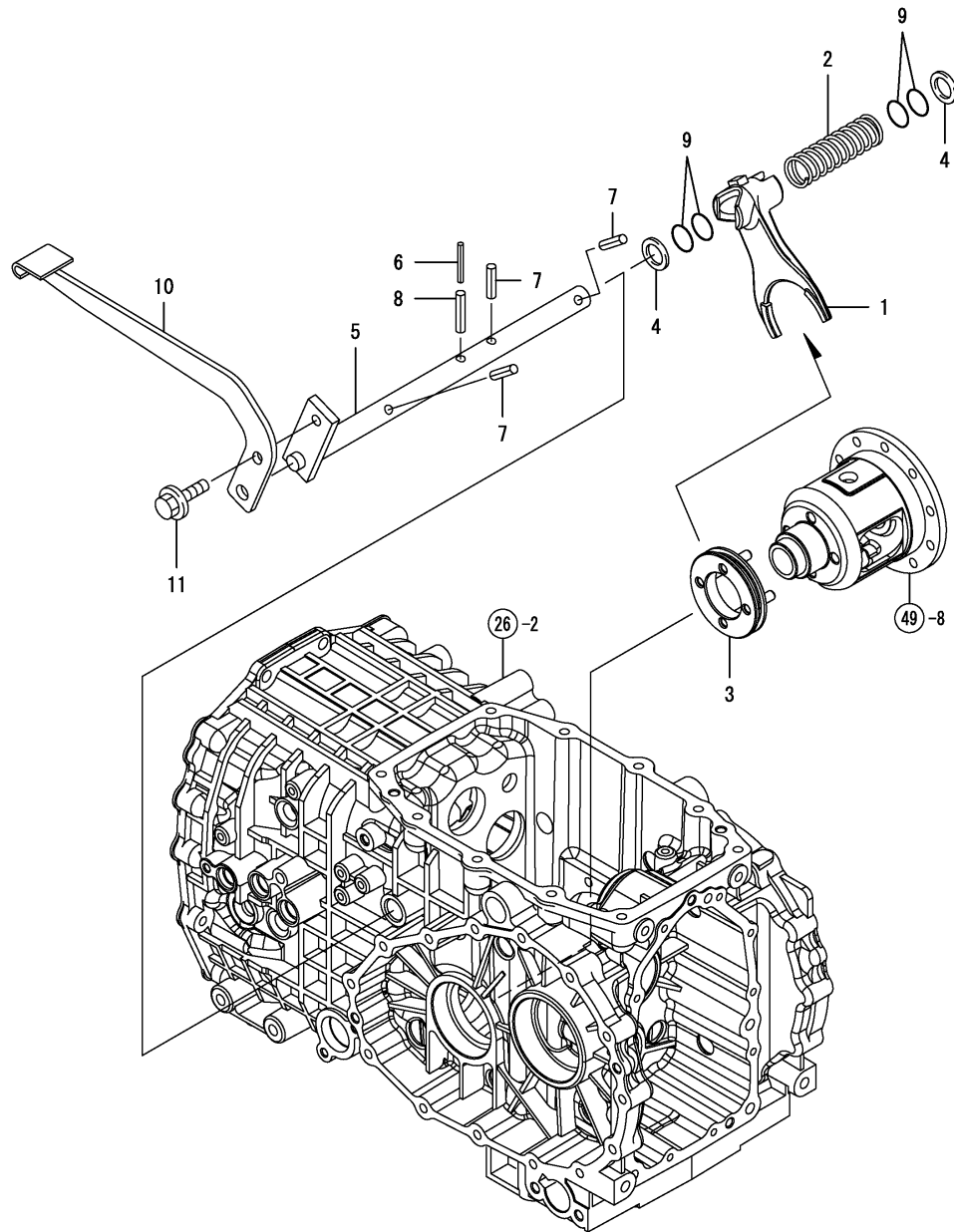


Fig.51. DIFFERENTIAL LOCK



(A)=EF227E
(B)=EF230E
(C)=EF233E

(D)=
(E)=
(F)=

REF.	LEV.	PARTS NO.	DESCRIPTION	Q'TY						I	R
				(A)	(B)	(C)	(D)	(E)	(F)		
1	1	198200-33111	FORK, DIFF. LOCK	1	1	1					
2	1	194420-33150	SPRING, RETURN	1	1	1					
3	1	198200-33150	SLIDER, DIFF. LOCK	1	1	1					
4	1	194300-33200	SPACER 20X32X3.2	2	2	2					
5	1	198280-33210	SHAFT ASSY, LOCK	1	1	1					
6	1	22351-050040	SPRING PIN 5X40	1	1	1					
7	1	22351-080032	SPRING PIN 8X32	3	3	3					
8	1	22351-080040	SPRING PIN 8X40	1	1	1					
9	1	24311-000200	O-RING 1A P-20.0	4	4	4					
10	1	198200-33250	PEDAL, DIFF. LOCK	1	1	1					
11	1	26106-100202	BOLT M10X 20 PLATED	1	1	1					

Fig.52. FINAL PINION & FINAL GEAR

0CNP4-G43700 52. FINAL PINION & FINAL GEAR

(A)=EF227E
(B)=EF230E
(C)=EF233E

(D)=
(E)=
(F)=

REF.	LEV.	PARTS NO.	DESCRIPTION	Q'TY						I	R
				(A)	(B)	(C)	(D)	(E)	(F)		
1	1	198200-33410	PINION, FINAL L.H.	1	1	1					
2	1	198200-33420	PINION, FINAL R.H.	1	1	1					
3	1	24101-063064	BALL BEARING	4	4	4					
4	1	198200-33511	GEAR, FINAL	2	2	2					

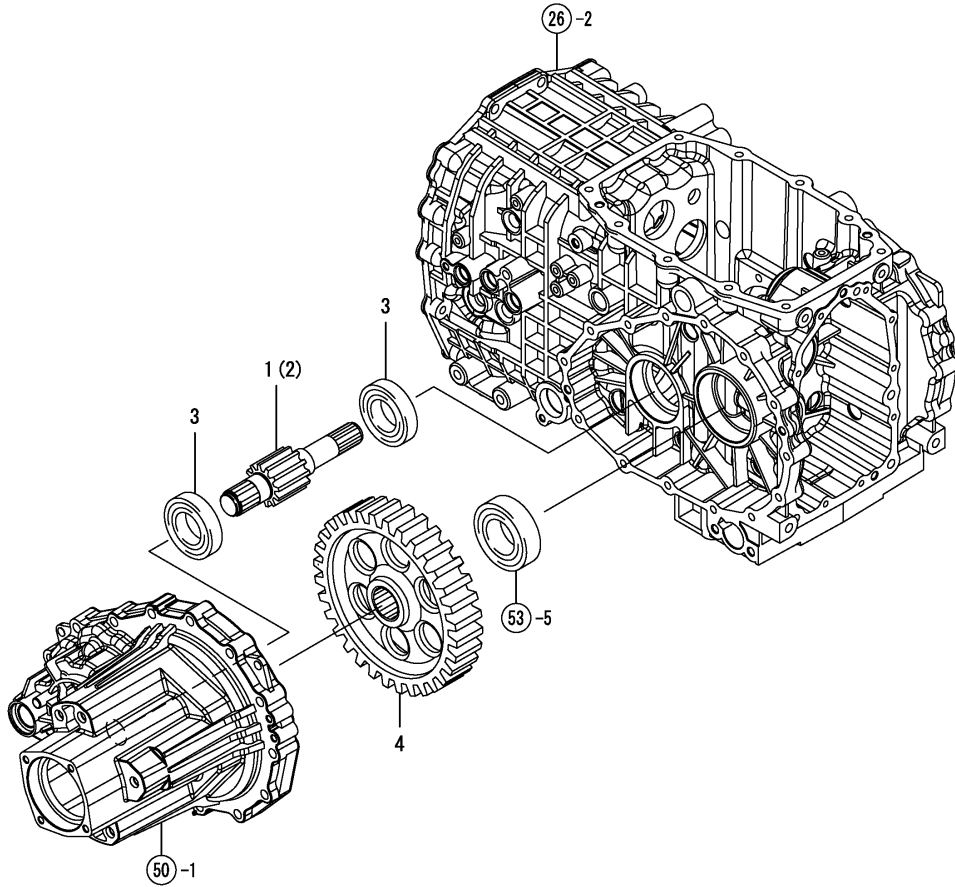
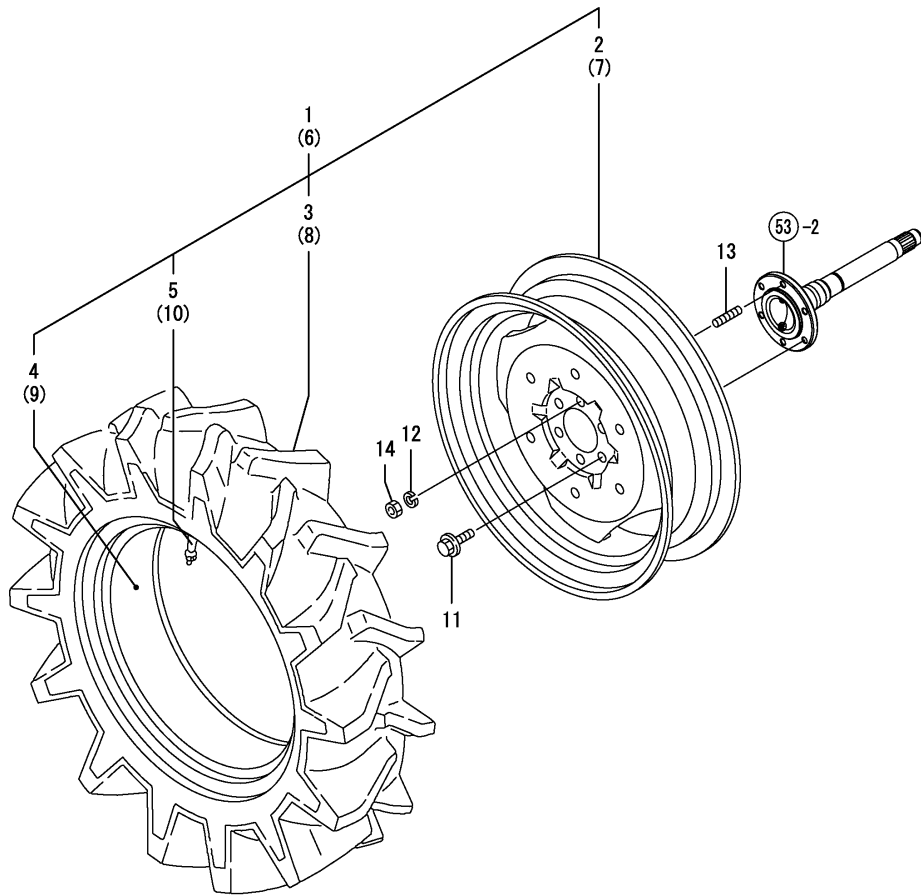


Fig.54. REAR WHEEL TIRE

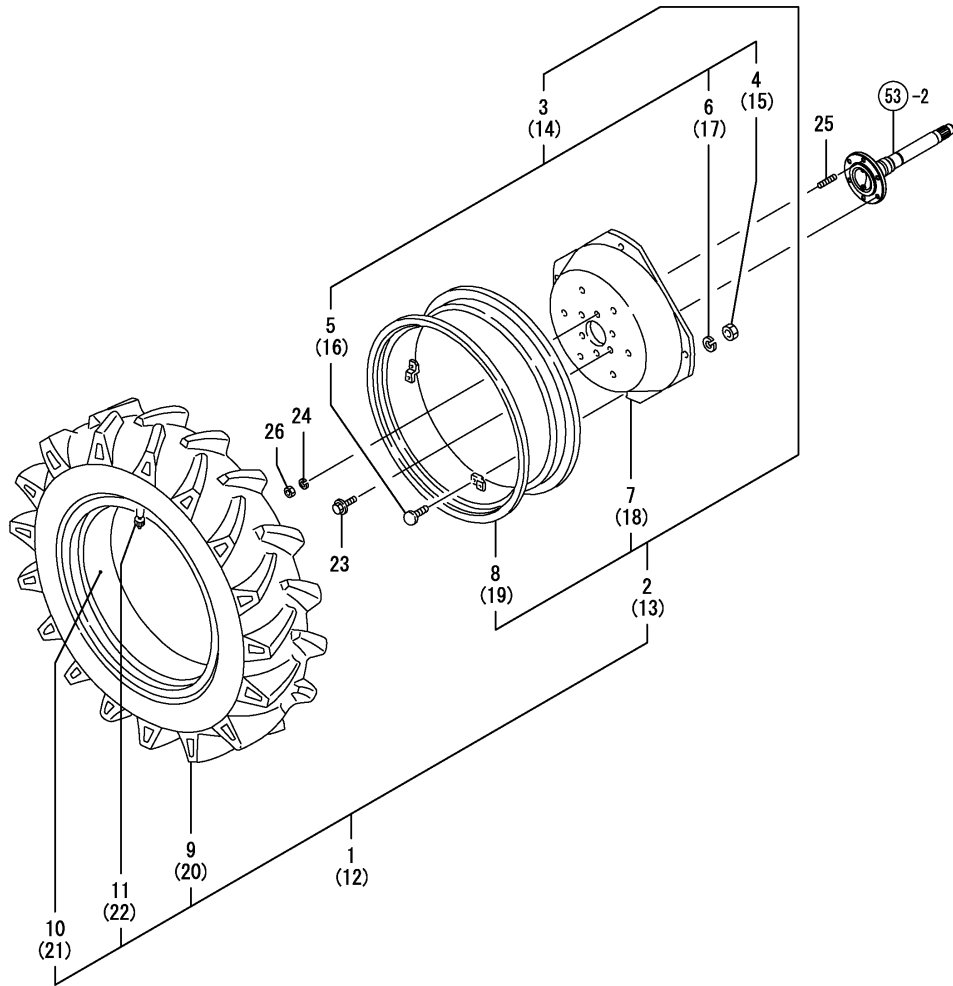
(A)=EF227E
(B)=EF230E
(C)=EF233E

(D)=
(E)=
(F)=



REF.	LEV.	PARTS NO.	DESCRIPTION	Q'TY						I	R
				(A)	(B)	(C)	(D)	(E)	(F)		
1	1	198282-34700	TIRE, W/WHEEL UNIT L	1	1	1					
2	2	198206-34650	WHEEL, W7-24	1	1	1					
3	2	194433-34910	TIRE 9.5X 24	1	1	1					
4	2	194433-34920	TUBE	1	1	1					
5	2	194190-34730	HOUSING,CORE	1	1	1					
6	1	198282-34800	TIRE, W/WHEEL UNIT R	1	1	1					
7	2	198206-34650	WHEEL, W7-24	1	1	1					
8	2	194433-34910	TIRE 9.5X 24	1	1	1					
9	2	194433-34920	TUBE	1	1	1					
10	2	194190-34730	HOUSING,CORE	1	1	1					
11	1	194881-12650	BOLT M14X 24	8	8	8					
12	1	194279-14220	WASHER 14	4	4	4					
13	1	198200-34130	STUD BOLT, M14X28	4	4	4					
14	1	198200-34190	NUT 14	4	4	4					

Fig.55. REAR WHEEL TIRE



OCNP4-G43700 55. REAR WHEEL TIRE

(A)=EF227E
(B)=EF230E
(C)=EF233E

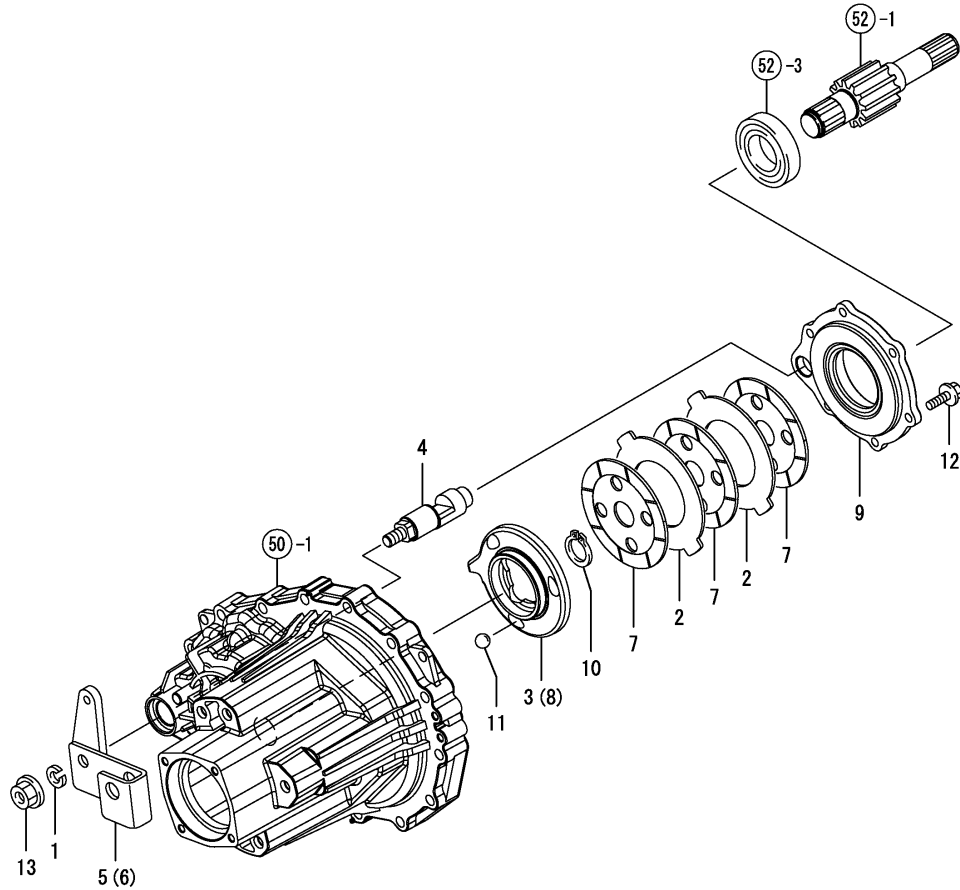
(D)=
(E)=
(F)=

REF.	LEV.	PARTS NO.	DESCRIPTION	Q'TY						I	R
				(A)	(B)	(C)	(D)	(E)	(F)		
1	1	198287-34700	TIRE, W/WHEEL UNIT L	1	1	1					
2	2	198287-34650	WHEEL ASSY, DCW9X34W	1	1	1					
3	3	198255-34100	BOLT KIT (M16X 35)	1	1	1					
4	4	194181-14180	NUT M16	4	4	4					
5	4	194681-14790	BOLT 16X35	4	4	4					
6	4	194065-34170	WASHER 16, LOCK	4	4	4					
7	3	198287-34810	WHELL	1	1	1					
8	3	194130-34891	RIM W9X24	1	1	1					
9	2	194432-34910	TIRE	1	1	1					
10	2	194432-34920	TUBE	1	1	1					
11	2	194190-34730	HOUSING,CORE	1	1	1					
12	1	198287-34800	TIRE, W/WHEEL UNIT R	1	1	1					
13	2	198287-34650	WHEEL ASSY, DCW9X34W	1	1	1					
14	3	198255-34100	BOLT KIT (M16X 35)	1	1	1					
15	4	194181-14180	NUT M16	4	4	4					
16	4	194681-14790	BOLT 16X35	4	4	4					
17	4	194065-34170	WASHER 16, LOCK	4	4	4					
18	3	198287-34810	WHELL	1	1	1					
19	3	194130-34891	RIM W9X24	1	1	1					
20	2	194432-34910	TIRE	1	1	1					
21	2	194432-34920	TUBE	1	1	1					
22	2	194190-34730	HOUSING,CORE	1	1	1					
23	1	194881-12650	BOLT M14X 24	8	8	8					
24	1	194279-14220	WASHER 14	4	4	4					
25	1	198200-34130	STUD BOLT, M14X28	4	4	4					
26	1	198200-34190	NUT 14	4	4	4					

Fig.56. BRAKE

(A)=EF227E
(B)=EF230E
(C)=EF233E

(D)=
(E)=
(F)=



REF.	LEV.	PARTS NO.	DESCRIPTION	Q'TY						I	R
				(A)	(B)	(C)	(D)	(E)	(F)		
1	1	194274-13580	SPRING WASHER 12	2	2	2					
2	1	1C6560-15071	PLATE STEEL	4	4	4					
3	1	198200-36310	ACTUATOR, L.H.	1	1	1					
4	1	198200-36340	SHAFT, CAM	2	2	2					
5	1	198280-36350	ARM, BRAKE L	1	1	1					
6	1	198280-36360	ARM, BRAKE R	1	1	1					
7	1	198200-36380	PLATE, FRICTION	6	6	6					
8	1	198200-36410	ACTUATOR, R.H.	1	1	1					
9	1	198200-36421	HOLDER, BEARING	2	2	2					
10	1	22242-000260	CIRCLIP 26	2	2	2					
11	1	24190-170001	BALL 17/32	6	6	6					
12	1	26106-080252	BOLT M 8X 25 PLATED	12	12	12					
13	1	26376-120002	U-NUT M12	2	2	2					

Fig.57. PEDAL

(A)=EF227E

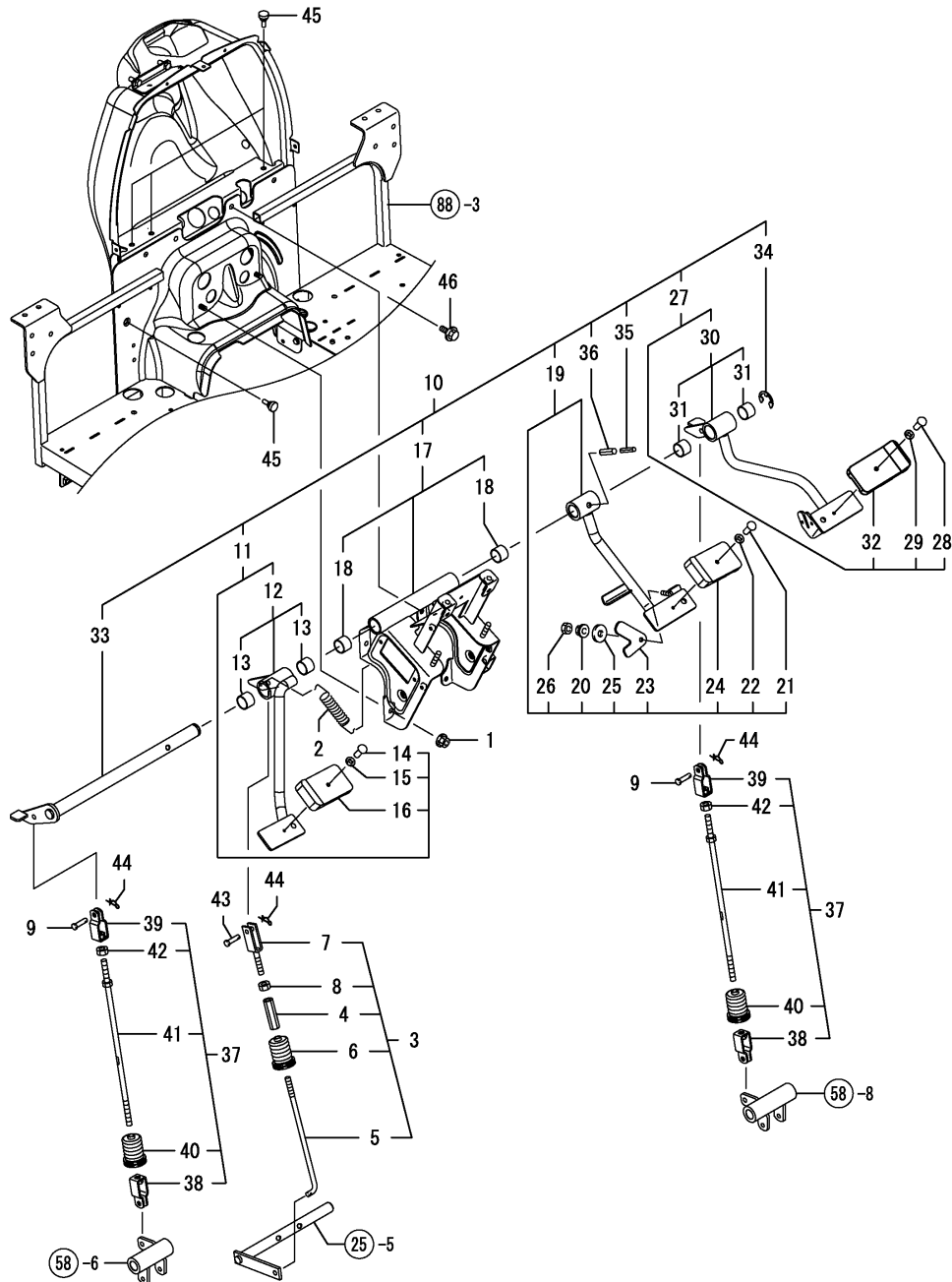
(B)=EF230E

(C)=EF233E

(D)=

(E)=

(F)=

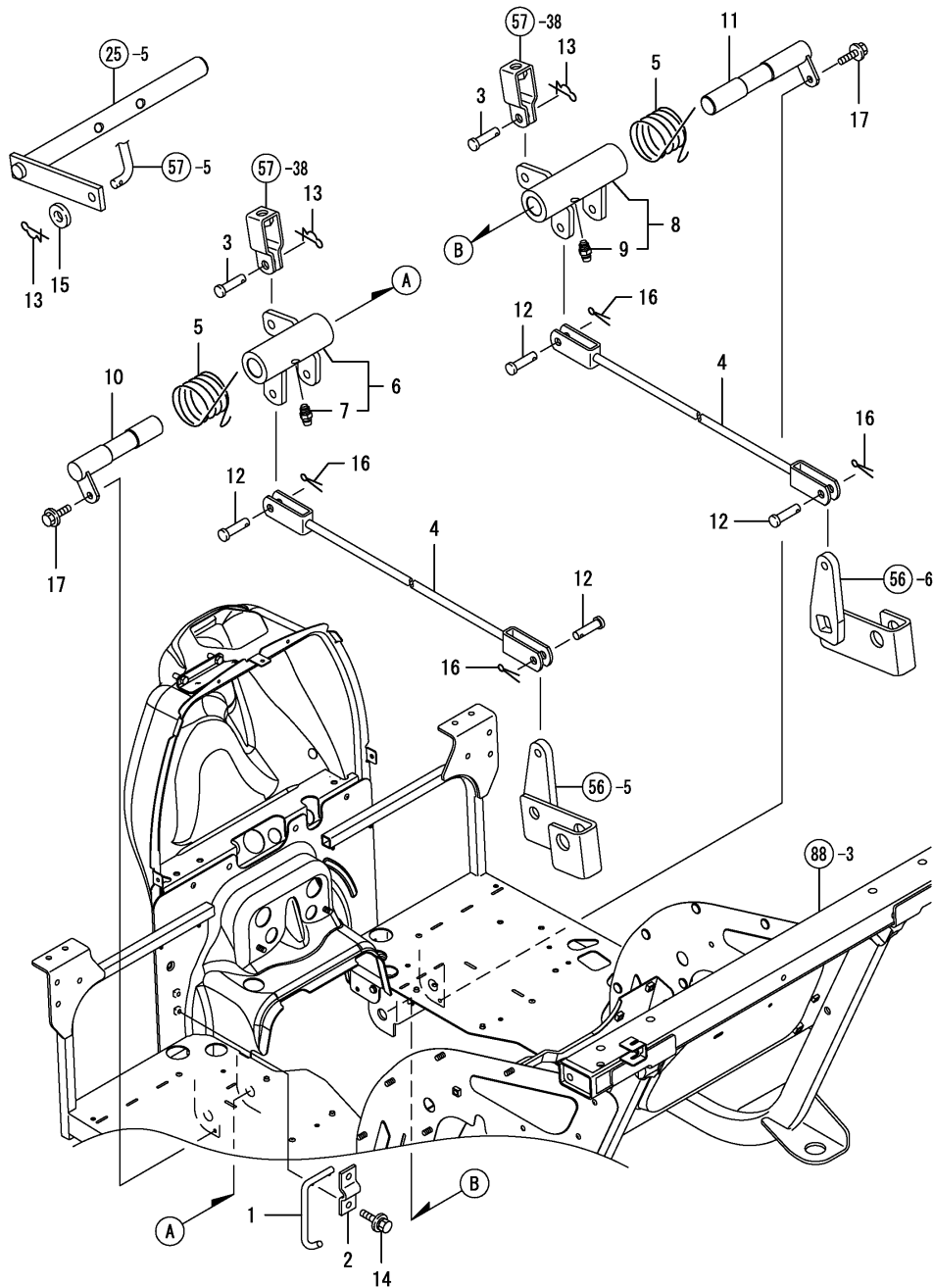


REF.	LEV.	PARTS NO.	DESCRIPTION	Q'TY						I	R
				(A)	(B)	(C)	(D)	(E)	(F)		
1	1	194990-22140	NUT W/WASHER 8	2	2	2					
2	1	198200-22510	SPRING, RETURN PEDAL	1	1	1					
3	1	198200-22650	ROD ASSY, CLUTCH	1	1	1					
4	2	194300-22260	TURNBUCKLE M10	1	1	1					
5	2	198200-22690	ROD, CLUTCH	1	1	1					
6	2	198448-37450	BOOTS	1	1	1					
7	2	194130-37750	JOINT (RH SCREW)	1	1	1					
8	2	26716-100002	NUT 10	1	1	1					
9	1	194312-27780	PIN 8.9	2	2	2					
10	1	198282-37200	PEDAL UNIT,	1	1	1					
11	2	198200-22380	PEDAL UNIT, CLUTCH	1	1	1					
12	3	198200-22400	PEDAL ASSY, CLUTCH	1	1	1					
13	4	198448-37360	BUSH 25X28X20	2	2	2					
14	3	198133-22510	RIVET, PEDAL HEAD	1	1	1					
15	3	198133-22530	WASHER, RIVET	1	1	1					
16	3	198071-37510	COVER, PEDAL HEAD	1	1	1					
17	2	198200-37270	BRACKET UNIT, PEDAL	1	1	1					
18	3	198448-37360	BUSH 25X28X20	2	2	2					
19	2	198200-37290	PEDAL UNIT, BRAKE L	1	1	1					
20	3	194990-22140	NUT W/WASHER 8	1	1	1					
21	3	198133-22510	RIVET, PEDAL HEAD	1	1	1					
22	3	198133-22530	WASHER, RIVET	1	1	1					
23	3	198200-37240	CONNECTOR,	1	1	1					
24	3	198071-37510	COVER, PEDAL HEAD	1	1	1					
25	3	22157-080000	WASHER 8	1	1	1					
26	3	26716-080002	NUT M 8	1	1	1					
27	2	198282-37490	PEDAL UNIT, BRAKE R	1	1	1					
28	3	198133-22510	RIVET, PEDAL HEAD	1	1	1					
29	3	198133-22530	WASHER, RIVET	1	1	1					
30	3	198282-37400	PEDAL ASSY, BRAKE R	1	1	1					
31	4	198448-37360	BUSH 25X28X20	2	2	2					
32	3	198071-37510	COVER, PEDAL HEAD	1	1	1					
33	2	198282-37550	SHAFT ASSY, BRAKE	1	1	1					
34	2	22272-000190	CIRCLIP E-19	1	1	1					
35	2	22351-050045	SPRING PIN 5X45	1	1	1					
36	2	22351-080045	SPRING PIN 8X45	1	1	1					
37	1	198200-37610	ROD ASSY, BRAKE F	2	2	2					
38	2	198310-27370	JOINT, L SCREW FORK	2	2	2					
39	2	194312-27770	JOINT	2	2	2					
40	2	198448-37450	BOOTS	2	2	2					
41	2	198200-37660	ROD ASSY, BREAK	2	2	2					
42	2	26716-100002	NUT 10	2	2	2					
43	1	198220-37900	PIN 8X24	1	1	1					
44	1	1C6281-52320	PIN 8, COME-OFF SNAP	3	3	3					
45	1	194330-62530	STOPPER, PEDAL	4	4	4					
46	1	26106-080162	BOLT M 8X 16 PLATED	2	2	2					

Fig.58. BRAKE LINK

(A)=EF227E
(B)=EF230E
(C)=EF233E

(D)=
(E)=
(F)=



REF.	LEV.	PARTS NO.	DESCRIPTION	Q'TY						I	R
				(A)	(B)	(C)	(D)	(E)	(F)		
1	1	198200-22460	LEVER, PEDAL LOCK	1	1	1					
2	1	198200-22470	HINGE, LEVER	1	1	1					
3	1	194312-27780	PIN 8.9	2	2	2					
4	1	198200-37370	ROD ASSY, BRAKE	2	2	2					
5	1	198200-37460	SPRING, BRAKE PEDAL	2	2	2					
6	1	198200-37700	ARM ASSY, BRAKE L	1	1	1					
7	2	24761-010000	NIPPLE M6F, GREASE	1	1	1					
8	1	198200-37710	ARM ASSY, BRAKE R	1	1	1					
9	2	24761-010000	NIPPLE M6F, GREASE	1	1	1					
10	1	198200-37740	SHAFT ASSY, L	1	1	1					
11	1	198200-37840	SHAFT ASSY, R	1	1	1					
12	1	198220-37900	PIN 8X24	4	4	4					
13	1	1C6281-52320	PIN 8,COME-OFF SNAP	3	3	3					
14	1	198093-85650	BOLT M6X16	2	2	2					
15	1	22137-100000	WASHER 10,POLISHED	1	1	1					
16	1	22417-250300	COTTER PIN 2.5X30	4	4	4					
17	1	26106-060122	BOLT M 6X 12 PLATED	2	2	2					

Fig.59. PARKING BRAKE

(A)=EF227E

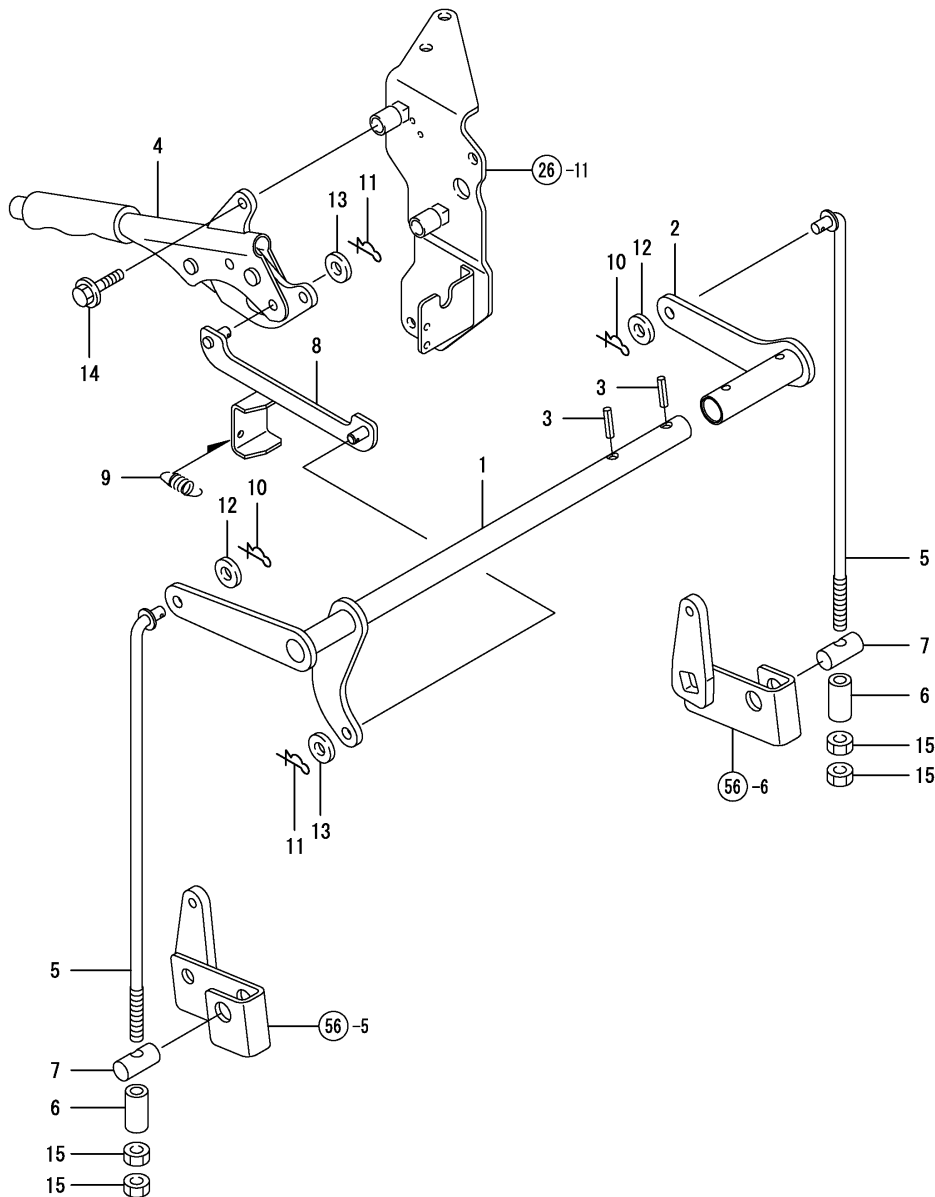
(B)=EF230E

(C)=EF233E

(D)=

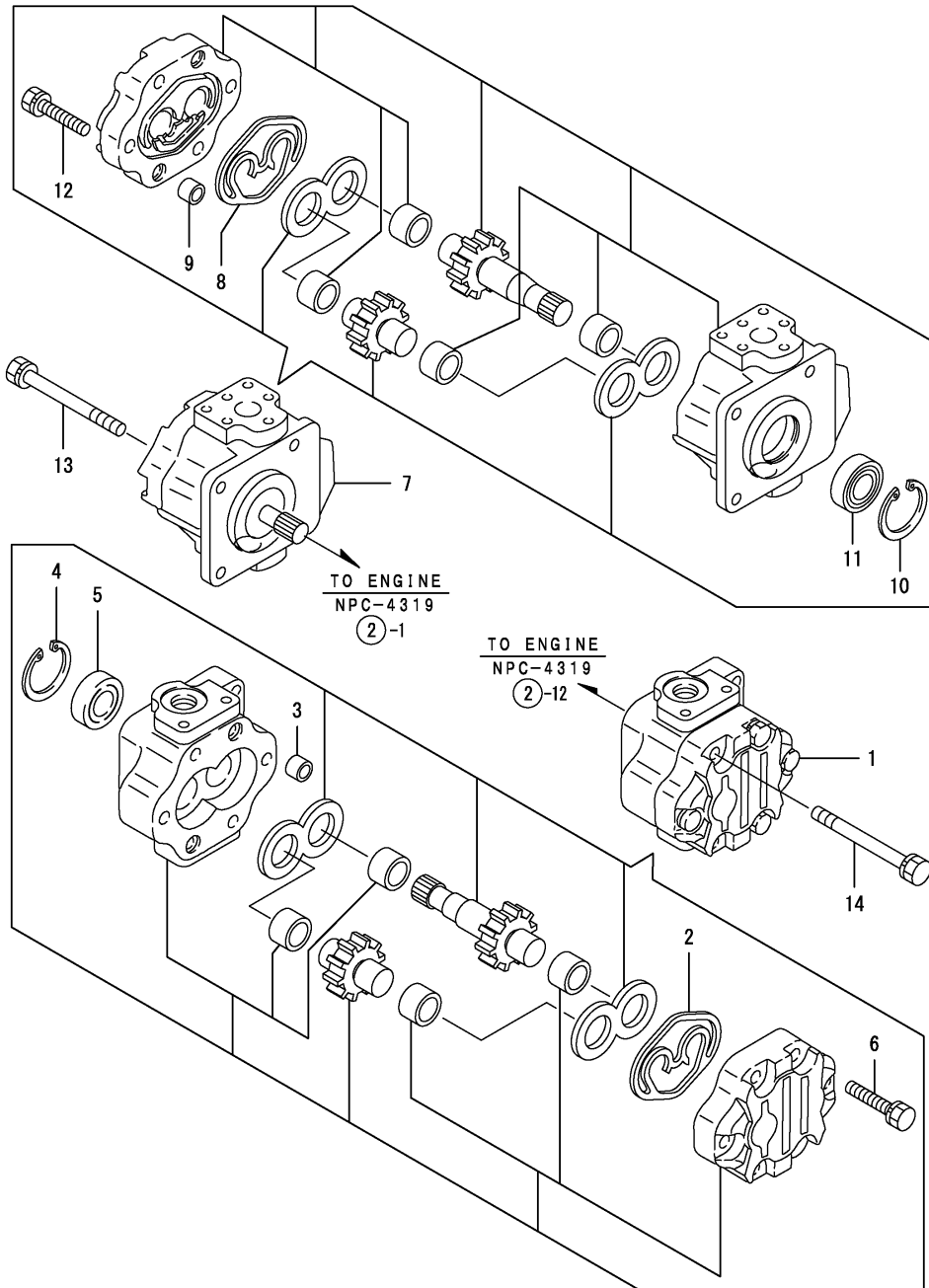
(E)=

(F)=



REF.	LEV.	PARTS NO.	DESCRIPTION	Q'TY						I	R
				(A)	(B)	(C)	(D)	(E)	(F)		
1	1	198280-38510	ARM, PARKING BRAKE	1	1	1					
2	1	198280-38710	ARM, PARKING BRAKE L	1	1	1					
3	1	22351-060032	SPRING PIN 6X32	2	2	2					
4	1	198448-38400	BRAKE, PARKING	1	1	1					
5	1	198280-38810	ROD, PARKING BRAKE A	2	2	2					
6	1	198280-38840	PIPE, 10.9X17.3X35	2	2	2					
7	1	198280-38850	PIN, 17X36	2	2	2					
8	1	198280-38910	ROD, PARKING LEVER	1	1	1					
9	1	198280-38950	SPRING, BRAKE	1	1	1					
10	1	1C6360-65700	SNAP PIN 10	2	2	2					
11	1	1C6360-65700	SNAP PIN 10	2	2	2					
12	1	22137-100000	WASHER 10,POLISHED	2	2	2					
13	1	22137-100000	WASHER 10,POLISHED	2	2	2					
14	1	26106-080352	BOLT M 8X 35 PLATED	2	2	2					
15	1	26716-100002	NUT 10	4	4	4					

Fig.60. HYDRAULIC PUMP

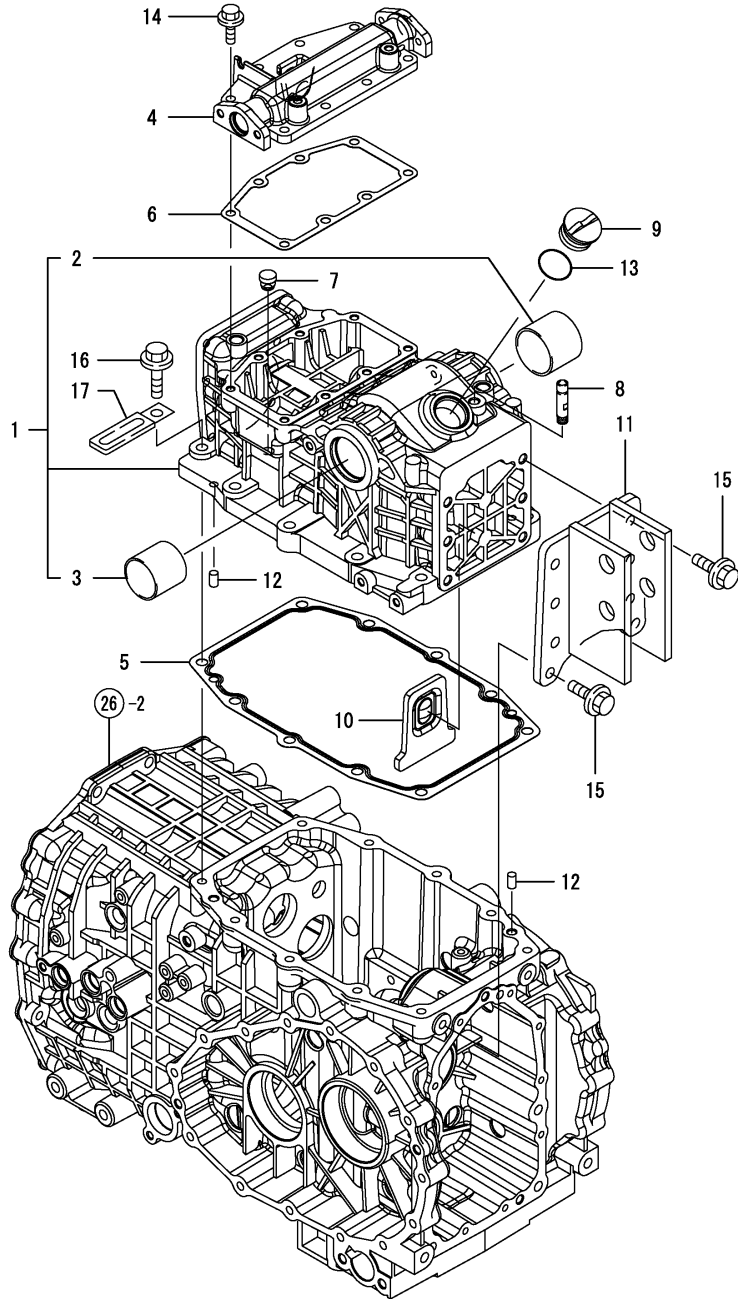


(A)=EF227E
(B)=EF230E
(C)=EF233E

(D)=
(E)=
(F)=

REF.	LEV.	PARTS NO.	DESCRIPTION	Q'TY						I	R
				(A)	(B)	(C)	(D)	(E)	(F)		
1	1	198172-41110	PUMP, HYDRAULIC	1	1	1					
2	2	178070-10401	SQUARE RING	1	1	1					
3	2	194521-41570	PIN 11X7	2	2	2					
4	2	22252-000320	CIRCLIP 32	1	1	1					
5	2	24421-153207	SEAL TC15 32 07, OIL	1	1	1					
6	2	26016-080352	BOLT M 8X 35	4	4	4					
7	1	198280-41150	PUMP ASSY, HYD. OIL	1	1	1					
8	2	178070-10401	SQUARE RING	1	1	1					
9	2	194521-41570	PIN 11X7	2	2	2					
10	2	22252-000320	CIRCLIP 32	1	1	1					
11	2	24421-153207	SEAL TC15 32 07, OIL	1	1	1					
12	2	26016-080352	BOLT M 8X 35	4	4	4					
13	1	26013-080802	BOLT M 8X 80	2	2	2					
14	1	26013-080802	BOLT M 8X 80	2	2	2					

Fig.61. HYDRAULIC CYLINDER CASE



OCNP4-G43700 61. HYDRAULIC CYLINDER CASE

(A)=EF227E

(B)=EF230E

(C)=EF233E

(D)=

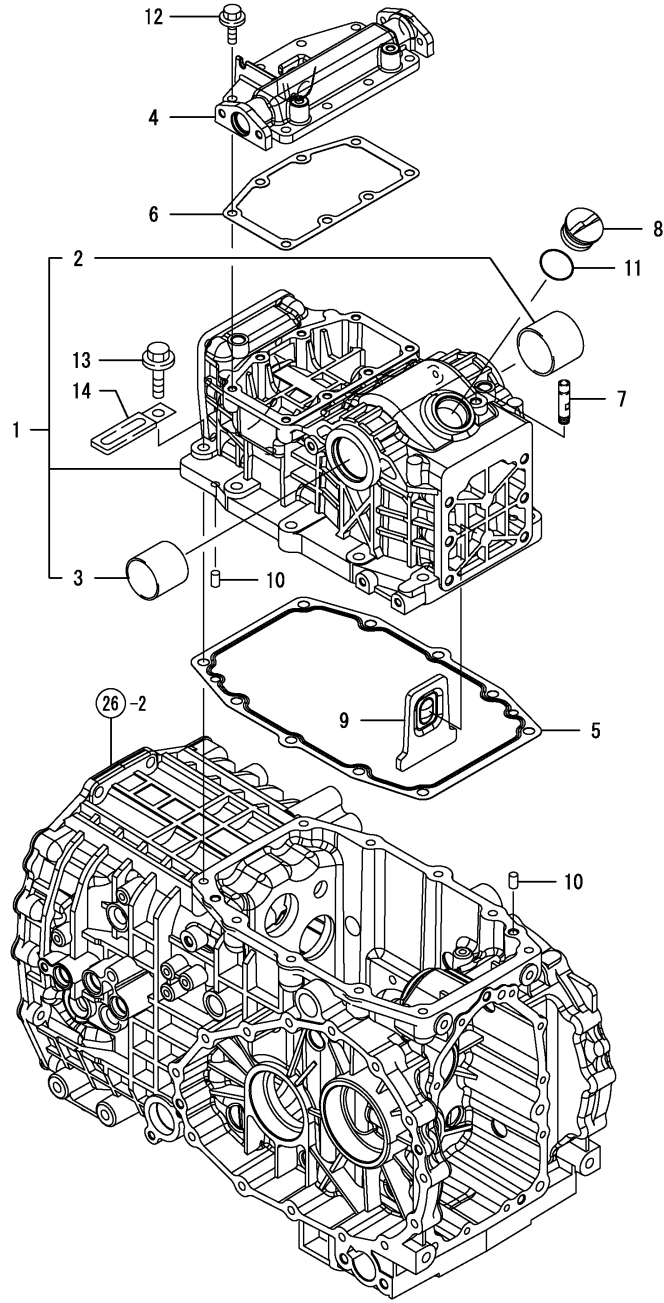
(E)=

(F)=

REF.	LEV.	PARTS NO.	DESCRIPTION	Q'TY						I	R
				(A)	(B)	(C)	(D)	(E)	(F)		
1	1	198200-42100	HOUSING ASSY,	1	1	1					
2	2	198200-42130	BUSH, 45X40	1	1	1					
3	2	198200-42140	BUSH, 40X40	1	1	1					
4	1	198200-42150	HOUSING, LINK	1	1	1					
5	1	198200-42180	GASKET, HOUSING	1	1	1					
6	1	198200-42190	GASKET, LINK HOUSING	1	1	1					
7	1	198280-42250	PLUG,CASE	1	1	1					
8	1	194555-42280	BREATHER, AIR	1	1	1					
9	1	194850-42500	CAP, OIL 33	1	1	1					
10	1	198200-42710	PLATE, STOPPER	1	1	1					
11	1	198280-42810	HINGE ASSY, TOP LINK	1	1	1					
12	1	22312-080140	PIN 8X14,STRAIGHT	2	2	2					
13	1	24351-020300	O-RING 1A 2030	1	1	1					
14	1	26106-080252	BOLT M 8X 25 PLATED	8	8	8					
15	1	26106-100252	BOLT M10X 25 PLATED	8	8	8					
16	1	26106-100402	BOLT M10X 40 PLATED	10	10	10					
I 17	1	194180-51640	CLAMP, WIRE HARNESS	1	1	1					W

(A)=FXXXXXX (B)=FXXXXXX (C)=FXXXXXX

Fig.62. HYDRAULIC CYLINDER CASE (DRAFT



(A)=EF227E

(B)=EF230E

(C)=EF233E

(D)=

(E)=

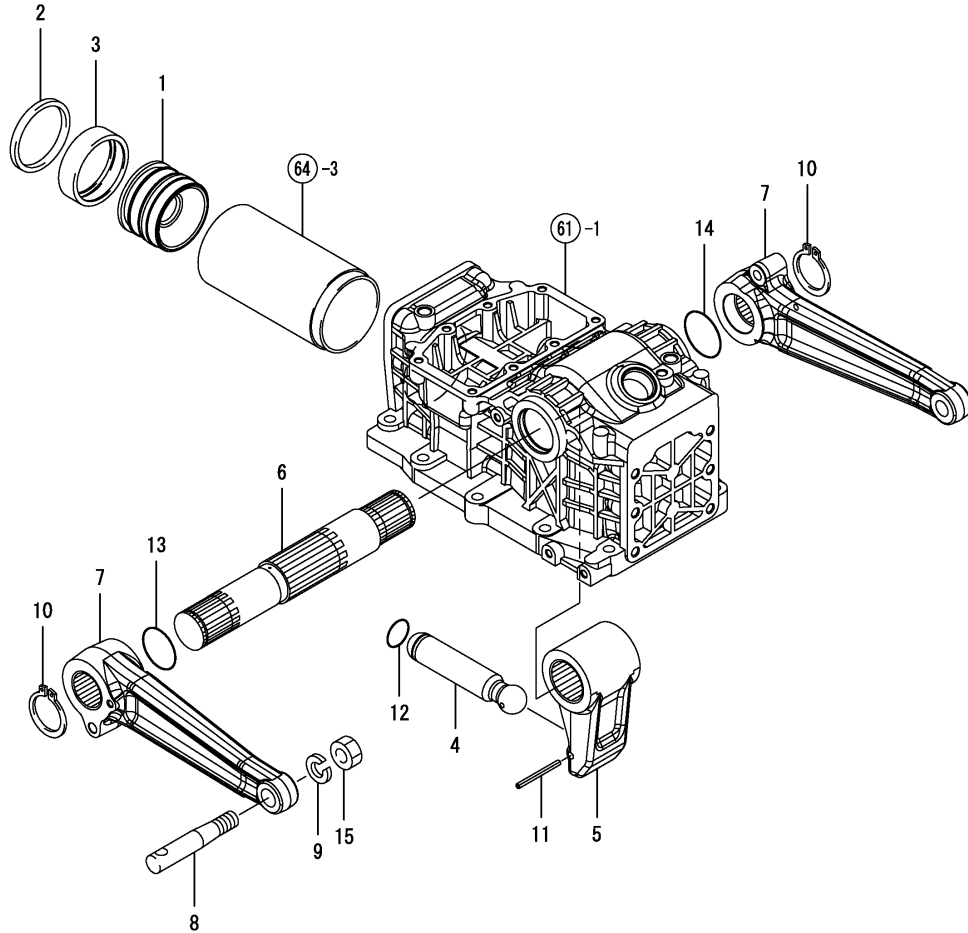
(F)=

REF.	LEV.	PARTS NO.	DESCRIPTION	Q'TY						I	R
				(A)	(B)	(C)	(D)	(E)	(F)		
1	1	198200-42100	HOUSING ASSY,	1	1	1					
2	2	198200-42130	BUSH, 45X40	1	1	1					
3	2	198200-42140	BUSH, 40X40	1	1	1					
4	1	198200-42150	HOUSING, LINK	1	1	1					
5	1	198200-42180	GASKET, HOUSING	1	1	1					
6	1	198200-42190	GASKET, LINK HOUSING	1	1	1					
7	1	194555-42280	BREATHER, AIR	1	1	1					
8	1	194850-42500	CAP, OIL 33	1	1	1					
9	1	198200-42710	PLATE, STOPPER	1	1	1					
10	1	22312-080140	PIN 8X14,STRAIGHT	2	2	2					
11	1	24351-020300	O-RING 1A 2030	1	1	1					
12	1	26106-080252	BOLT M 8X 25 PLATED	8	8	8					
13	1	26106-100402	BOLT M10X 40 PLATED	10	10	10					
I 14	1	194180-51640	CLAMP, WIRE HARNESS	1	1	1					W
(A)=FXXXXXX (B)=FXXXXXX (C)=FXXXXXX)											

Fig.63. PISTON & LIFT CRANK

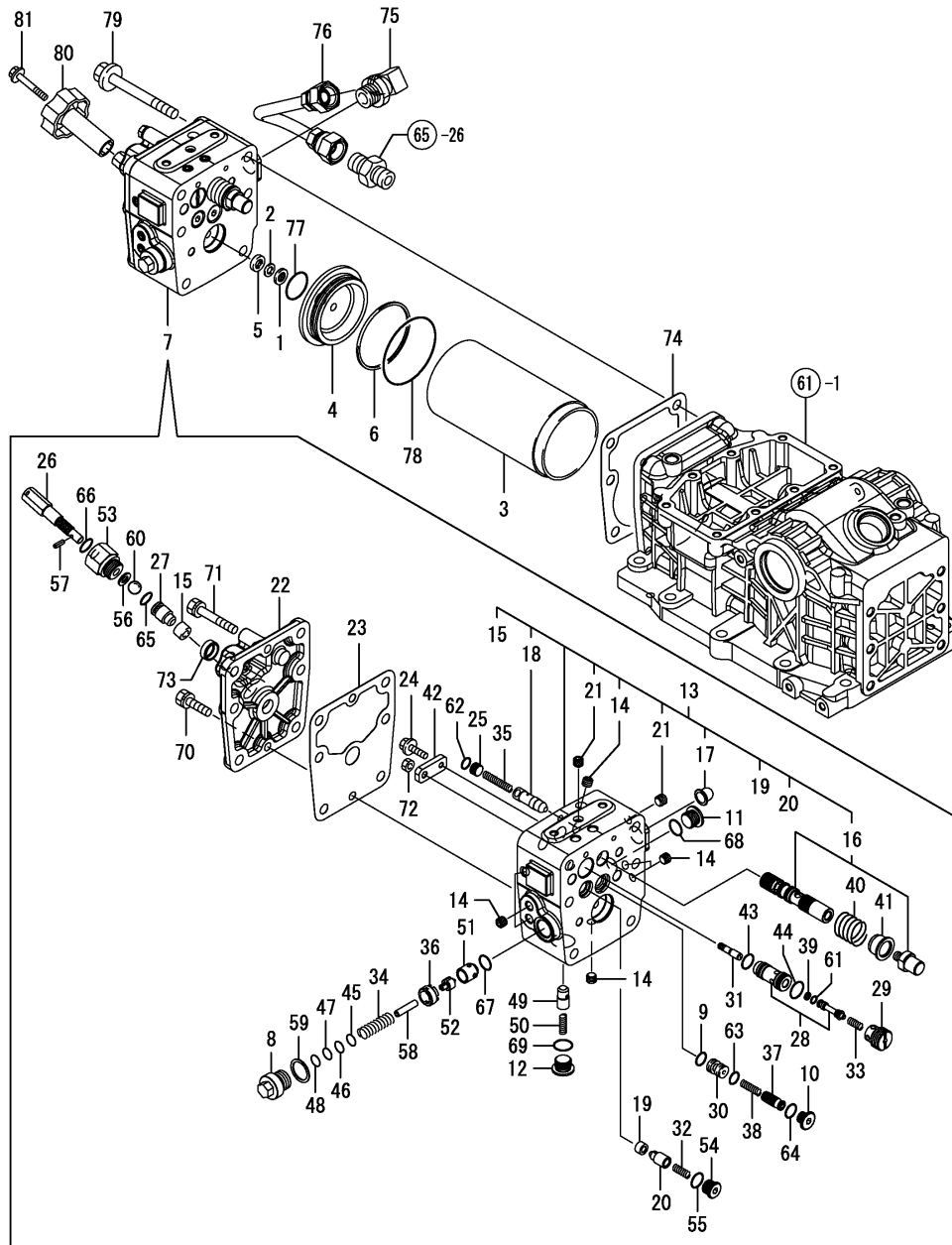
(A)=EF227E
(B)=EF230E
(C)=EF233E

(D)=
(E)=
(F)=



REF.	LEV.	PARTS NO.	DESCRIPTION	Q'TY						I	R
				(A)	(B)	(C)	(D)	(E)	(F)		
1	1	198200-43310	PISTON, 75	1	1	1					
2	1	198071-43320	U-PACKING 75	1	1	1					
3	1	198071-43330	RING, WEAR	1	1	1					
4	1	198200-43410	ROD, PISTON	1	1	1					
5	1	198200-44110	CRANK, LIFT	1	1	1					
6	1	198200-44210	SHAFT, LIFT	1	1	1					
7	1	198200-44420	ARM, LIFT	2	2	2					
8	1	194130-44480	PIN, LIFT ARM	2	2	2					
9	1	22217-160000	SPRING WASHER 16	2	2	2					
10	1	22242-000400	CIRCLIP 40	2	2	2					
11	1	22351-050056	SPRING PIN 5X56	1	1	1					
12	1	24311-000260	O-RING 1A P-26.0	1	1	1					
13	1	24311-000400	O-RING 1A P-40.0	1	1	1					
14	1	24311-000440	O-RING 1A P-44.0	1	1	1					
15	1	26736-160002	NUT M16	2	2	2					

Fig.64. CONTRPL VALVE

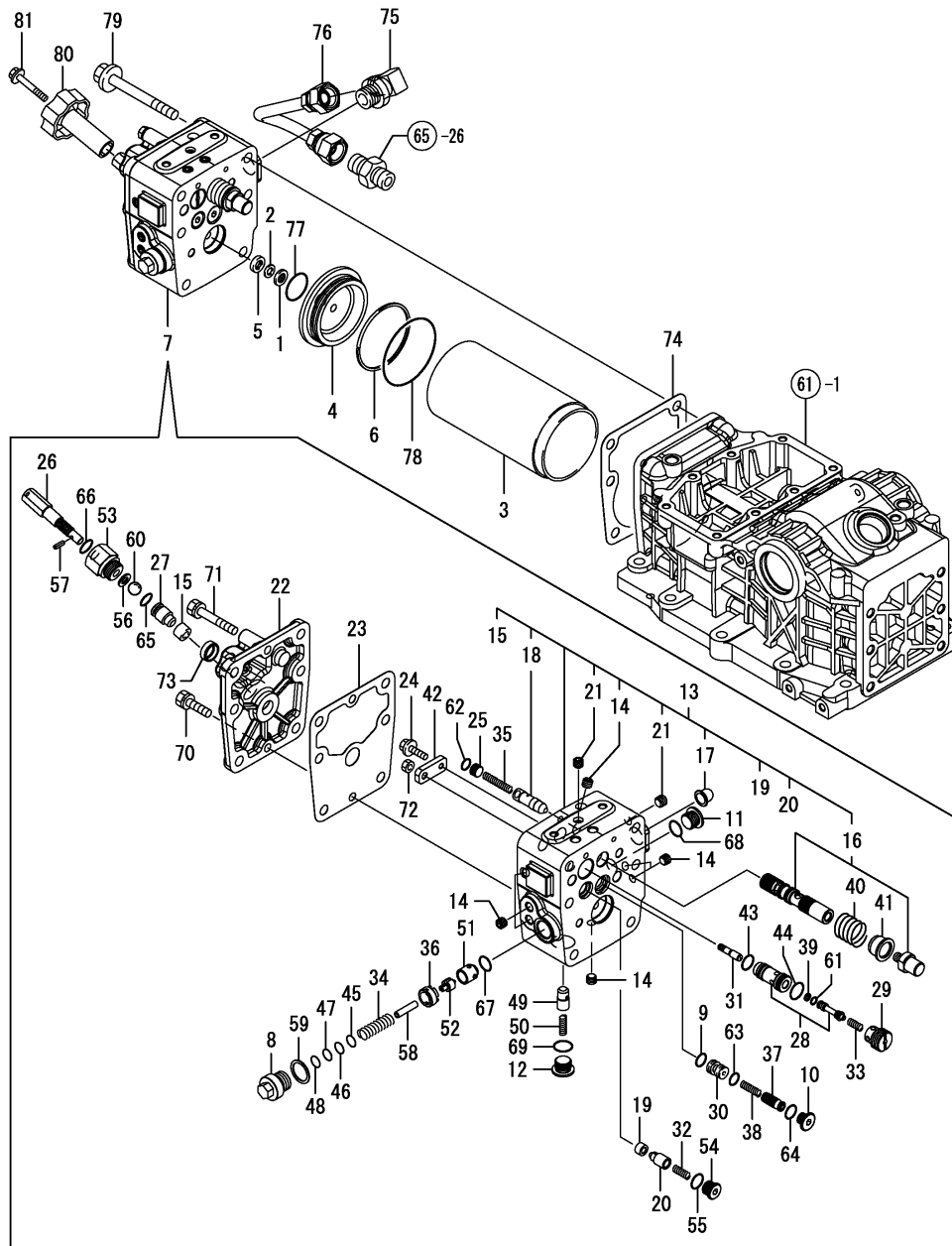


(A)=EF227E
(B)=EF230E
(C)=EF233E

(D)=
(E)=
(F)=

REF.	LEV.	PARTS NO.	DESCRIPTION	Q'TY						I	R
				(A)	(B)	(C)	(D)	(E)	(F)		
1	1	194850-42180	STRAINER	1	1	1					
2	1	194850-42190	SPACER	1	1	1					
3	1	198200-43110	LINER, CYLINDER	1	1	1					
4	1	198200-43211	HEAD, CYLINDER	1	1	1					
5	1	194630-43230	PACKING	1	1	1					
6	1	198200-43250	RING, BACK UP G70	1	1	1					
7	1	198200-45101	VALVE ASSY, LIFT	1	1	1					
8	2	178076-02230	PLUG, RELIEF VALVE	1	1	1					
9	2	178076-04610	PACKING, 1B	1	1	1					
10	2	178076-12400	PLUG, G1/4	1	1	1					
11	2	1A6750-29850	PLUG	1	1	1					
12	2	1A6750-29850	PLUG	1	1	1					
13	2	178076-40011	VALVEBODY CMP	1	1	1					
14	3	178073-01200	PLUG PT 1/8	7	7	7					
15	3	178076-40030	SEAT(STOP	1	1	1					
16	3	178076-40200	SPOOL ASSY, MAIN	1	1	1					
17	3	194556-42220	STRAINER A	1	1	1					
18	3	194170-45310	POPPET	1	1	1					
19	3	198435-45410	SEAT, L CHECK	1	1	1					
20	3	194170-45420	POPPET	1	1	1					
21	3	194555-77120	PLUG	2	2	2					
22	2	178076-40100	COVER,	1	1	1					
23	2	178076-40110	GASKET, COVER	1	1	1					
24	2	178076-40250	BOLT, 6 X 16	1	1	1					
25	2	178076-40300	PLUG, 12	1	1	1					
26	2	178076-40400	BOLT, STOP	1	1	1					
27	2	178076-40410	STOP VALVE	1	1	1					
28	2	178076-40500	VALVE ASSY, CHECK	1	1	1					
29	2	178076-40530	RETAINER, SEAT	1	1	1					
30	2	178076-40600	PLUG,	1	1	1					
31	2	194170-45220	BAR, PUSH	1	1	1					
32	2	1A6640-45230	VALVE, SP FLW.DIVID.	1	1	1					
33	2	194170-45230	SPRING	1	1	1					
34	2	194150-45320	SPRING, RELIEF VALVE	1	1	1					
35	2	194170-45321	SPRING	1	1	1					
36	2	194275-45340	SCREW, VALVE SEAT	1	1	1					
37	2	194170-45350	SPOOL	1	1	1					
38	2	194170-45360	SPRING	1	1	1					
39	2	194170-45430	RING, BACK UP	1	1	1					
40	2	194170-45520	SPRING, SPOOL	1	1	1					
41	2	194170-45530	STOPPER, SPOOL	1	1	1					
42	2	194170-45550	BAR, SPOOL	1	1	1					
43	2	194327-45640	O-RING 1BS14	1	1	1					
44	2	194327-45650	O-RING 1BS16	1	1	1					
45	2	194170-45710	SHIM (T=0.2)	1	1	1					
46	2	194170-45720	SHIM (T=0.3)	1	1	1					
47	2	194170-45730	SHIM (T=0.5)	1	1	1					
48	2	194170-45740	SHIM (T=1.0)	1	1	1					
49	2	194310-46350	POPPET, CHECK	1	1	1					
50	2	194310-46380	SPRING	1	1	1					
51	2	194640-46410	SEAT, SAFETY VALVE	1	1	1					

Fig.64. CONTRPL VALVE



(A)=EF227E

(B)=EF230E

(C)=EF233E

(D)=

(E)=

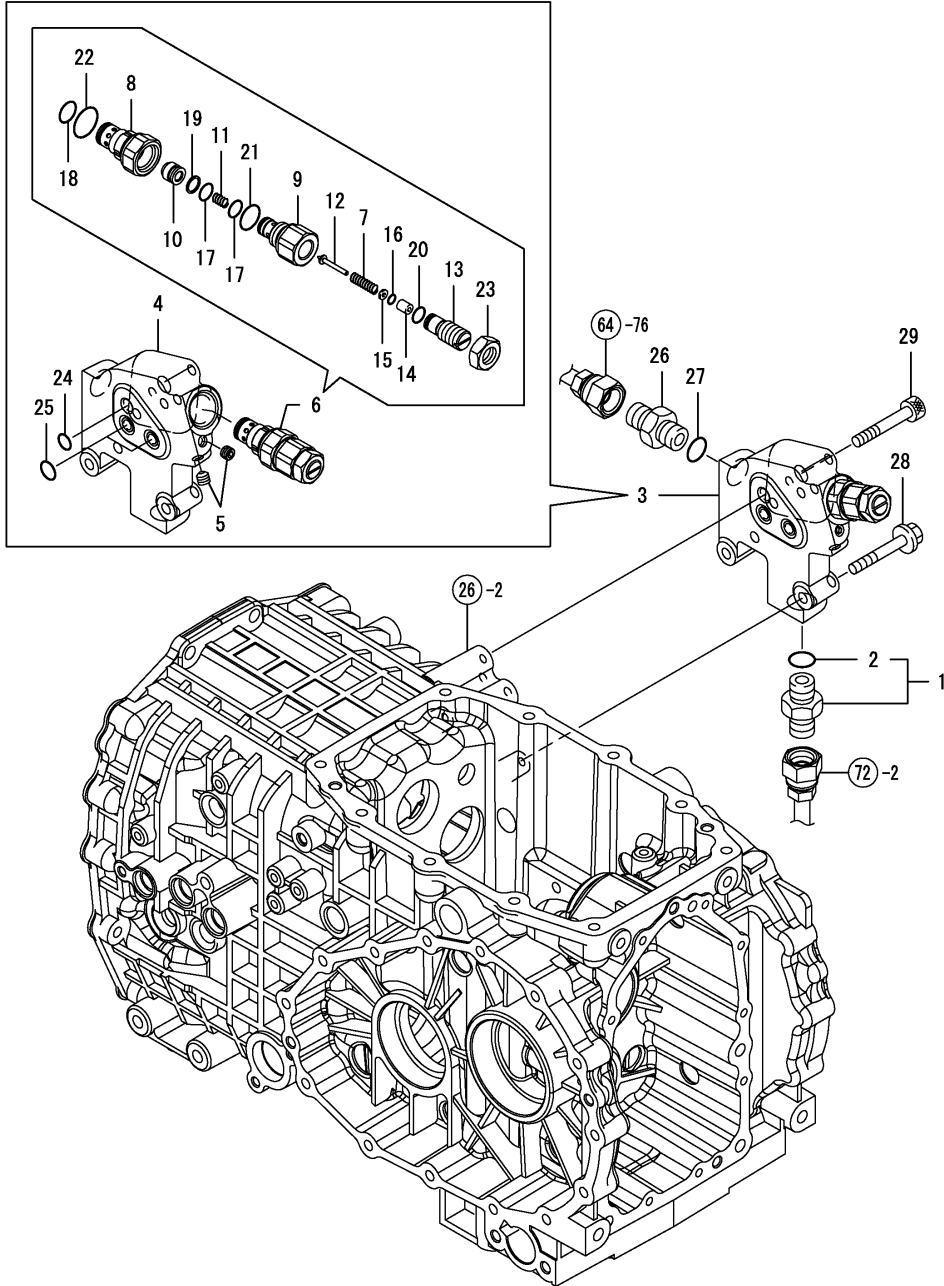
(F)=

REF.	LEV.	PARTS NO.	DESCRIPTION	Q'TY						I	R
				(A)	(B)	(C)	(D)	(E)	(F)		
52	2	194640-46420	POPPET, SAFETY VALVE	1	1	1					
53	2	194312-46630	HOLDER, VALVE (43)	1	1	1					
54	2	198165-48560	PLUG, 9/16	1	1	1					
55	2	194850-49290	PACKING 6-1	1	1	1					
56	2	22117-080000	WASHER 8	1	1	1					
57	2	22351-040012	SPRING PIN 4X12	1	1	1					
58	2	22351-060028	SPRING PIN 6X28	1	1	1					
59	2	23414-200026	GASKET 20	1	1	1					
60	2	24190-160001	BALL 1/2	1	1	1					
61	2	24311-000050	O-RING 1A P-5.0	1	1	1					
62	2	24315-000090	O-RING 1B P- 9.0	1	1	1					
63	2	24315-000090	O-RING 1B P- 9.0	1	1	1					
64	2	24315-000110	O-RING 1B P-11.0	1	1	1					
65	2	24315-000110	O-RING 1B P-11.0	1	1	1					
66	2	24315-000120	O-RING 1B P-12.0	1	1	1					
67	2	24315-000120	O-RING 1B P-12.0	1	1	1					
68	2	24315-000140	O-RING 1B P-14.0	1	1	1					
69	2	24315-000140	O-RING 1B P-14.0	1	1	1					
70	2	26016-080252	BOLT M 8X 25	1	1	1					
71	2	26016-080502	BOLT M 8X 50	1	1	1					
72	2	26756-060002	LOCK NUT 6	1	1	1					
73	2	27260-200000	PLUG 20,BORE	1	1	1					
74	1	198200-45150	GASKET, LIFT VALVE	1	1	1					
75	1	194765-46980	ELBOW,PF1/2,WSHR,BS	1	1	1					
76	1	198200-48140	LINE ASSY,PRESSURE	1	1	1					
77	1	24325-000250	O-RING 1B G-25.0	1	1	1					
78	1	24325-000700	O-RING 1B G-70.0	1	1	1					
79	1	26106-100902	BOLT M10X 90 PLATED	6	6	6					
80	1	1A7260-46640	KNOB, STOP VALVE	1	1	1					
81	1	1A7260-46650	BOLT, 6 X 40	1	1	1					

Fig.65. RELIEF VALVE

(A)=EF227E
(B)=EF230E
(C)=EF233E

(D)=
(E)=
(F)=

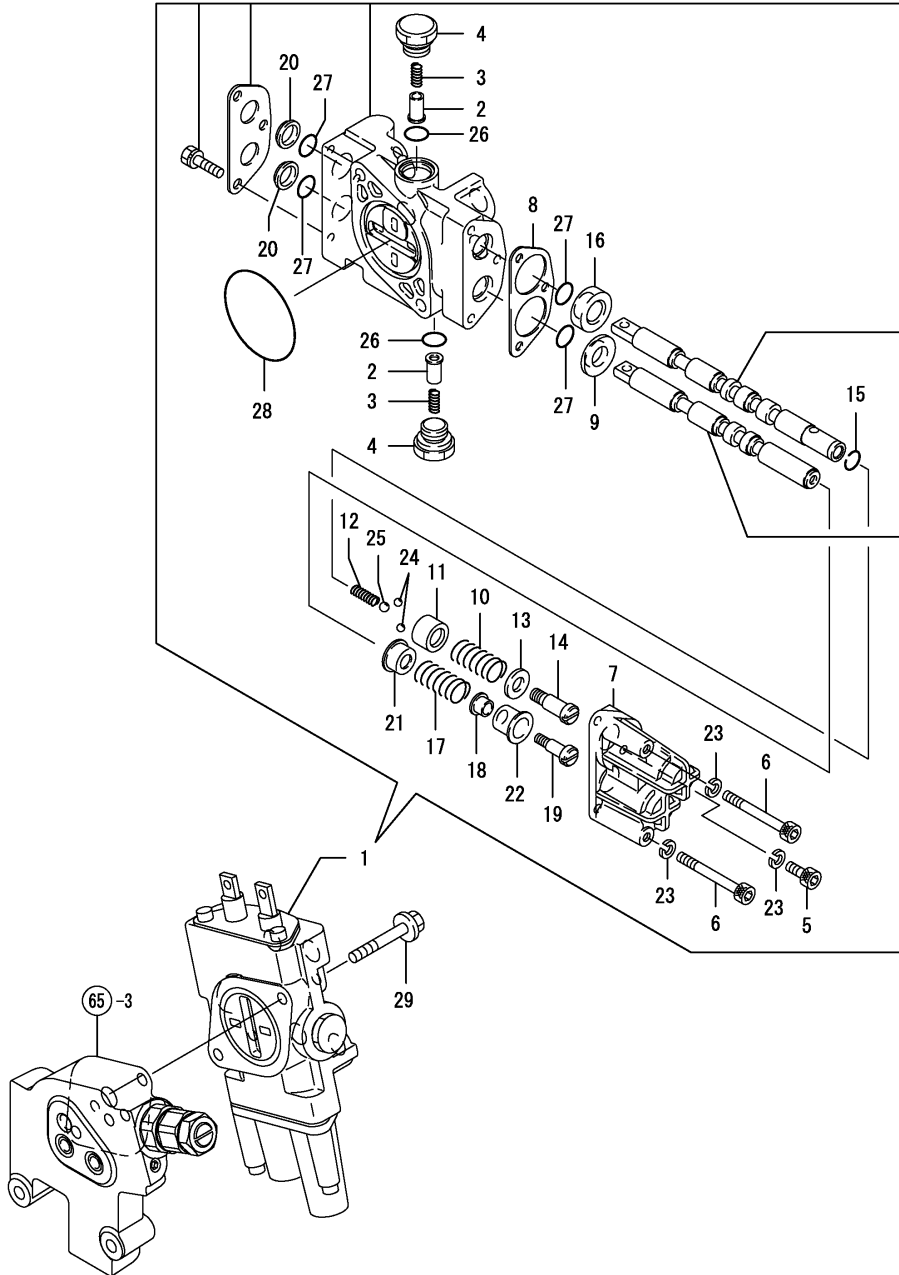


REF.	LEV.	PARTS NO.	DESCRIPTION	Q'TY						I	R
				(A)	(B)	(C)	(D)	(E)	(F)		
1	1	198265-48200	ADAPTER ASSY	1	1	1					
2	2	24311-000180	O-RING 1A P-18.0	1	1	1					
3	1	198280-48500	HOUSING ASSY, VALVE	1	1	1					
4	2	1682B4-01020	CASE(RELIEFVALVE	1	1	1					
5	2	178073-01200	PLUG PT 1/8	2	2	2					
6	2	198200-45510	VALVE ASSY, RELIEF	1	1	1					
7	3	178073-04310	SP(PILOT	1	1	1					
8	3	178076-26100	HOLDER, RELIEF	1	1	1					
9	3	178076-26110	HOLDER, RELIEF PILOT	1	1	1					
10	3	178076-26120	VALVE, RELIEF	1	1	1					
11	3	178076-26130	SPRING	1	1	1					
12	3	178076-26140	VALVE, PILOT	1	1	1					
13	3	178076-26160	SCREW, ADJUSTMENT	1	1	1					
14	3	178076-26170	GUIDE, RELIEF VALVE	1	1	1					
15	3	178076-26180	SPACER,	1	1	1					
16	3	178076-26190	PACKING, P 3	1	1	1					
17	3	194327-45630	O-RING 1BS12	2	2	2					
18	3	194327-45650	O-RING 1BS16	1	1	1					
19	3	172510-74530	RING,BACKUP	1	1	1					
20	3	24315-000100	O-RING 1B P-10.0	1	1	1					
21	3	24315-000180	O-RING 1B P-18.0	1	1	1					
22	3	24315-000220	O-RING 1B P-22.0	1	1	1					
23	3	26776-160002	LOCK NUT M16 PLATED	1	1	1					
24	2	24311-000110	O-RING 1A P-11.0	1	1	1					
25	2	24311-000140	O-RING 1A P-14.0	2	2	2					
26	1	172112-77360	CONNECTOR PF1/2PF1/2	1	1	1					
27	1	24311-000180	O-RING 1A P-18.0	1	1	1					
28	1	26106-080452	BOLT M 8X 45 PLATED	2	2	2					
29	1	26450-080402	BOLT 8X40	1	1	1					

Fig.66. SUB VALVE

(A)=EF227E
(B)=EF230E
(C)=EF233E

(D)=
(E)=
(F)=

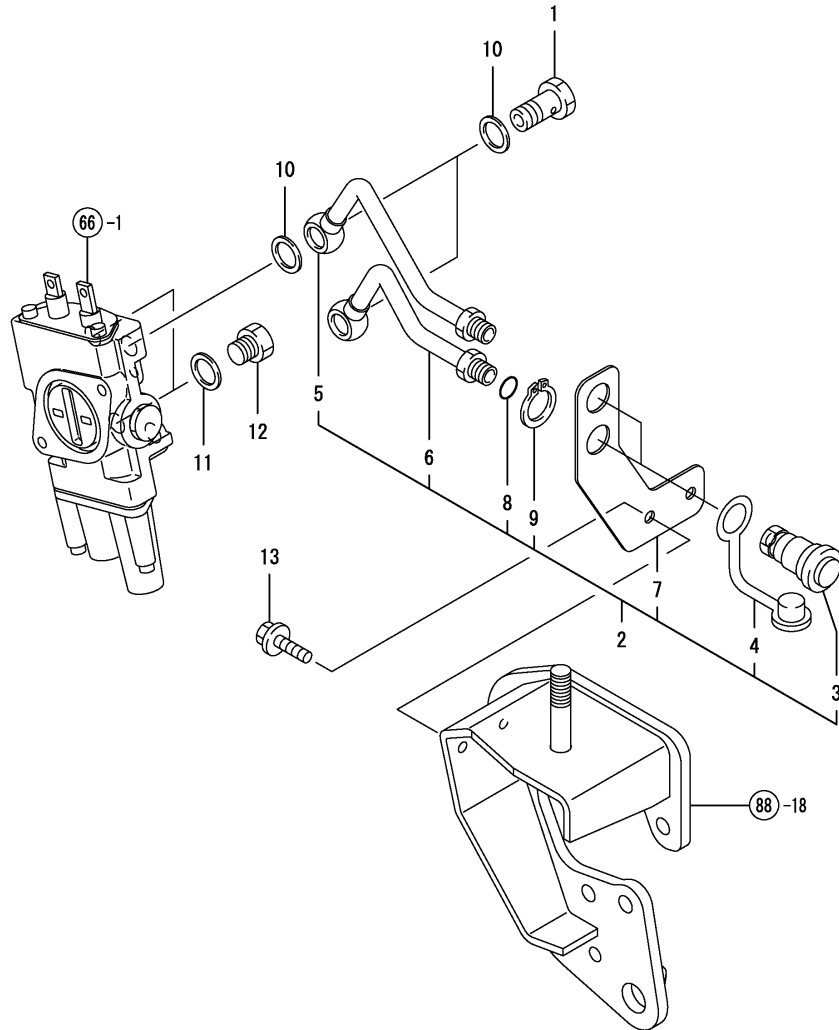


REF.	LEV.	PARTS NO.	DESCRIPTION	Q'TY						I	R
				(A)	(B)	(C)	(D)	(E)	(F)		
1	1	198280-46110	SCV ASSY	1	1	1					
2	2	198165-46130	VALVE	2	2	2					
3	2	198165-46140	SPRING	2	2	2					
4	2	198165-46150	PLUG	2	2	2					
5	2	1A6780-46160	BOLT M 6X 25	1	1	1					
6	2	1A6780-46170	BOLT M 6X 55	2	2	2					
7	2	198165-46200	COVER	1	1	1					
8	2	198165-46210	GASKET	1	1	1					
9	2	198165-46220	JOINT	1	1	1					
10	2	198165-46310	SPRING	1	1	1					
11	2	198165-46320	HOLDER	1	1	1					
12	2	198165-46330	SPRING	1	1	1					
13	2	198165-46340	HOLDER	1	1	1					
14	2	198165-46350	BOLT	1	1	1					
15	2	198165-46360	RINK	1	1	1					
16	2	198165-46370	DETENT	1	1	1					
17	2	198165-46410	SPRING	1	1	1					
18	2	198165-46420	STOP	1	1	1					
19	2	198165-46450	BOLT	1	1	1					
20	2	172510-74410	SEAL, DUST	2	2	2					
21	2	172510-74440	RETAINER(A),SPRING	1	1	1					
22	2	172510-74450	RETAINER (B)	1	1	1					
23	2	22287-060000	WASHER 6	3	3	3					
24	2	24190-070001	BALL 7/32	2	2	2					
25	2	24190-080001	BALL 1/4, STEEL	1	1	1					
26	2	24311-000140	O-RING 1A P-14.0	2	2	2					
27	2	24311-000140	O-RING 1A P-14.0	4	4	4					
28	2	24321-000500	O-RING 1A G-50.0	1	1	1					
29	1	26106-080402	BOLT M 8X 40 PLATED	2	2	2					

Fig.67. S.C.V. PIPING

(A)=EF227E
(B)=EF230E
(C)=EF233E

(D)=
(E)=
(F)=

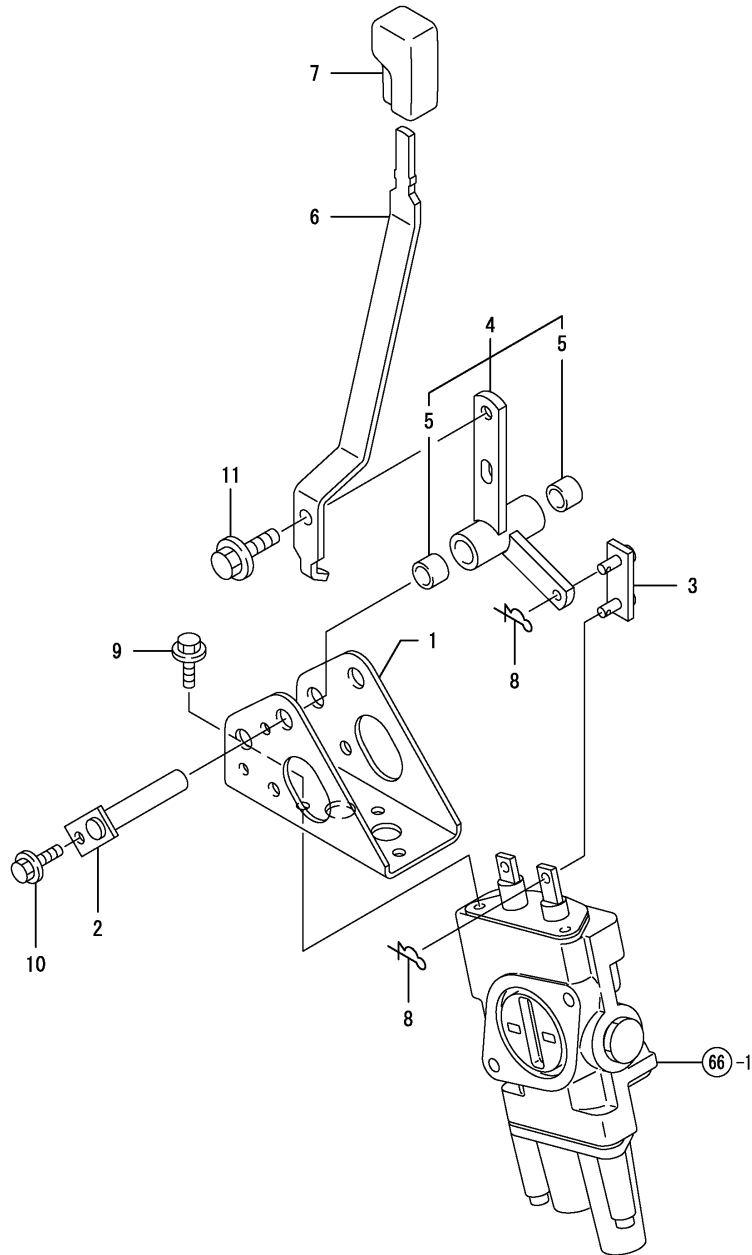


REF.	LEV.	PARTS NO.	DESCRIPTION	Q'TY						I	R
				(A)	(B)	(C)	(D)	(E)	(F)		
1	1	194321-17870	BOLT 10, PIPE JOINT	2	2	2					
2	1	198287-46500	PIPE UNIT,SCV	1	1	1					
3	2	198223-46250	HYD.QUICK COUPLER	2	2	2					
4	2	198223-46280	DUST PLUG	2	2	2					
5	2	198287-46510	LINE ASSY,SCV-A1	1	1	1					
6	2	198287-46610	LINE ASSY,SCV-B1	1	1	1					
7	2	198280-46750	STAY	1	1	1					
8	2	194850-49290	PACKING 6-1	2	2	2					
9	2	22242-000220	CIRCLIP 22	2	2	2					
10	1	23414-160021	GASKET 16	4	4	4					
11	1	23414-160021	GASKET 16	2	2	2					
12	1	23887-160002	PLUG 16,HEX.	2	2	2					
13	1	26106-080122	BOLT M 8X 12 PLATED	2	2	2					

Fig.68. S.C.V. CONTROL

(A)=EF227E
(B)=EF230E
(C)=EF233E

(D)=
(E)=
(F)=

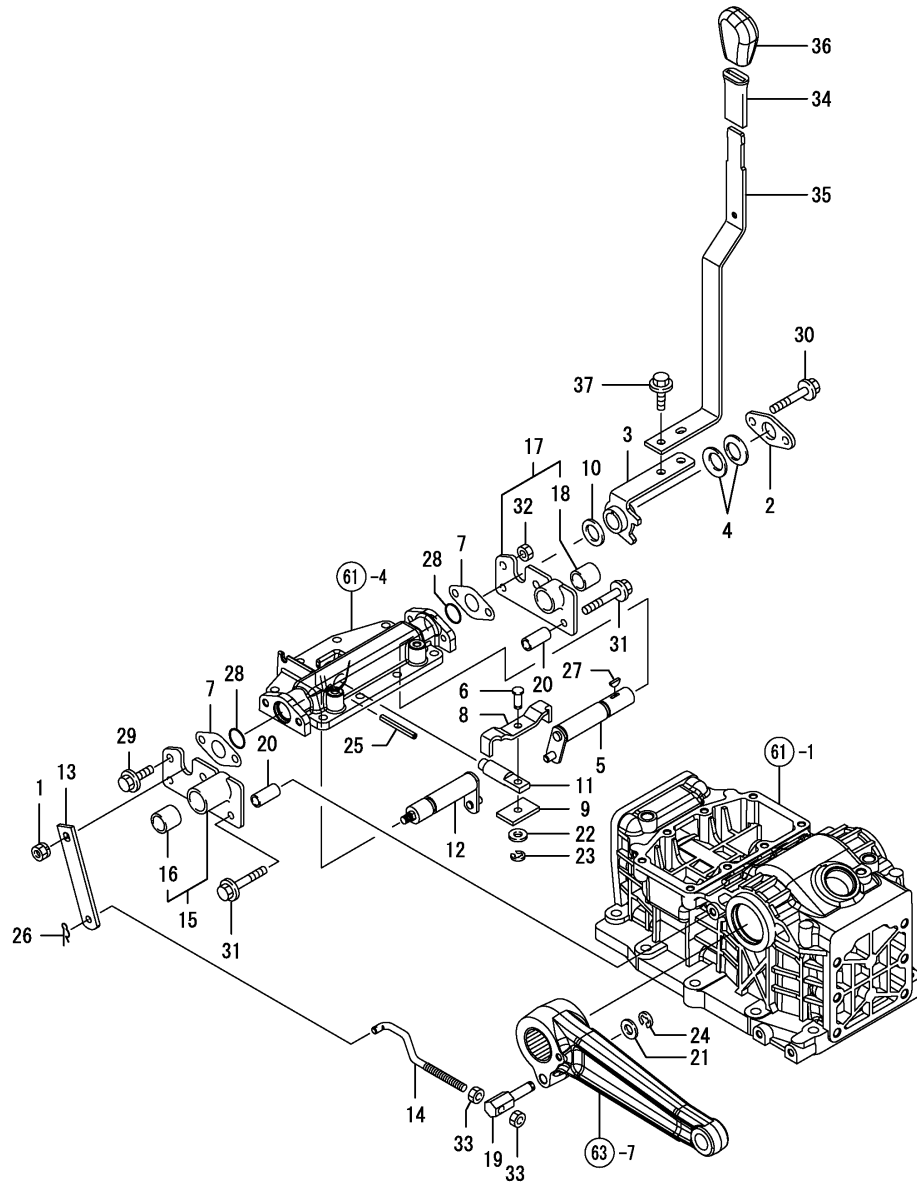


REF.	LEV.	PARTS NO.	DESCRIPTION	Q'TY						I	R
				(A)	(B)	(C)	(D)	(E)	(F)		
1	1	198280-46810	BRACKET ASSY,LEVER	1	1	1					
2	1	198280-46870	PIN ASSY,HINGE	1	1	1					
3	1	198133-46890	LINK,SCV LEVER	1	1	1					
4	1	198287-46910	LINK ASSY,LEVER	1	1	1					
5	2	24550-012100	BUSH 12X10	2	2	2					
6	1	198287-46950	LEVER,SCV	1	1	1					
7	1	194940-47341	KNOB,POSITION LEVER	1	1	1					
8	1	1C6281-52310	PIN 6,COME-OFF SNAP	2	2	2					
9	1	26106-060122	BOLT M 6X 12 PLATED	3	3	3					
10	1	26106-060122	BOLT M 6X 12 PLATED	1	1	1					
11	1	26106-080162	BOLT M 8X 16 PLATED	1	1	1					

Fig.69. HYDRAULIC CONTROL

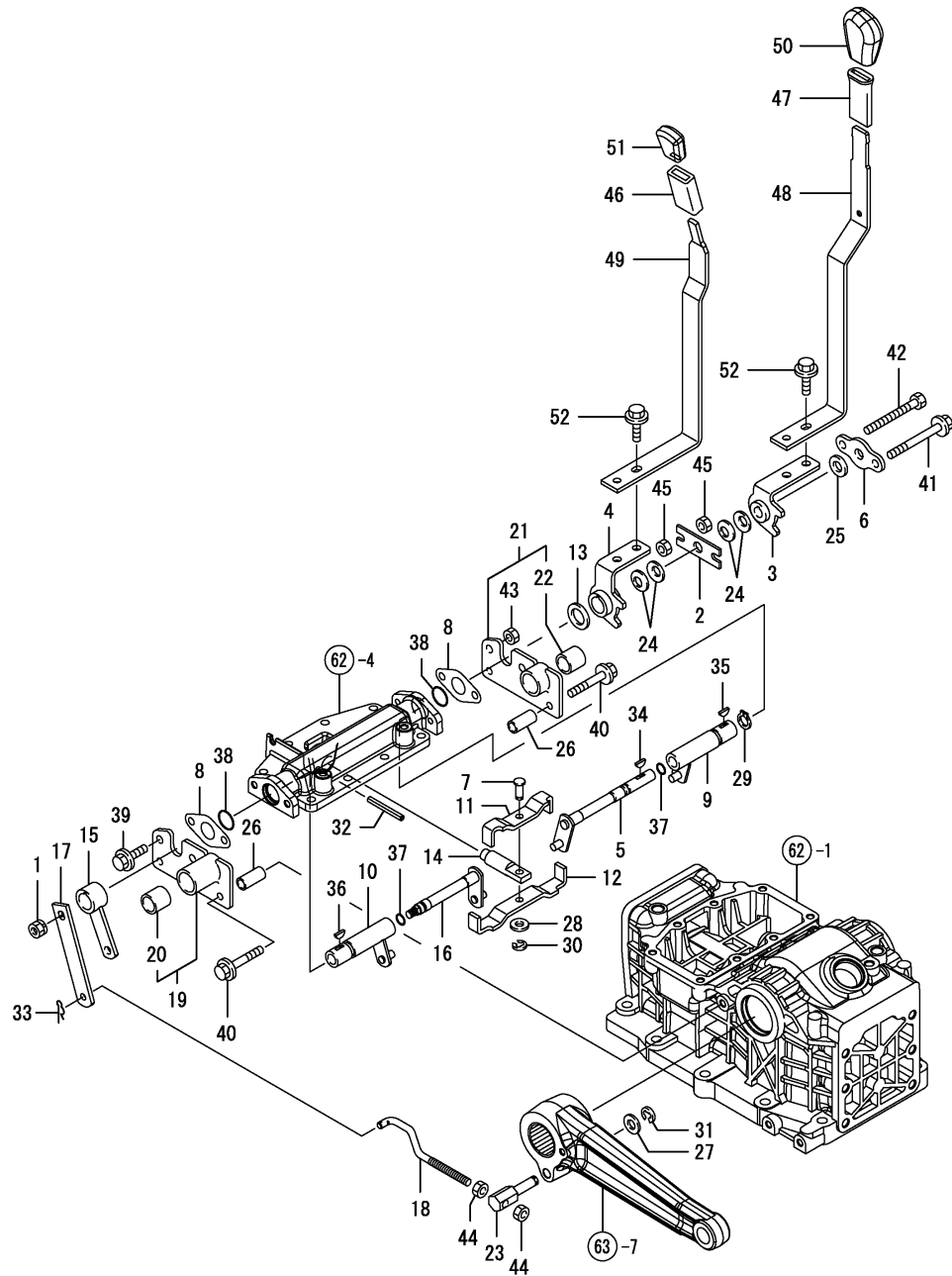
(A)=EF227E
(B)=EF230E
(C)=EF233E

(D)=
(E)=
(F)=



REF.	LEV.	PARTS NO.	DESCRIPTION	Q'TY						I	R
				(A)	(B)	(C)	(D)	(E)	(F)		
1	1	194990-22050	NUT W/WASHER 8	1	1	1					
2	1	194940-47210	PLATE	1	1	1					
3	1	198280-47210	ARM, P LEVER	1	1	1					
4	1	194940-47220	WASHER 20,SPRING	2	2	2					
5	1	198280-47310	SHAFT, P LEVER	1	1	1					
6	1	198431-47340	PIN,CONTROL	1	1	1					
7	1	194555-47350	PLATE	2	2	2					
8	1	198200-47411	LINK, P CONTROL	1	1	1					
9	1	198280-47430	PLATE	1	1	1					
10	1	194170-47440	PLATE, FRICTION	1	1	1					
11	1	198200-47460	ROD, CONTROL	1	1	1					
12	1	198280-47500	SHAFT, P FEEDBACK	1	1	1					
13	1	198200-47510	ARM, P FEEDBACK	1	1	1					
14	1	198280-47540	ROD, P FEEDBACK	1	1	1					
15	1	198280-47550	STAY ASSY,P BRAKE	1	1	1					
16	2	24550-020200	BUSH 20X20,DRY	1	1	1					
17	1	198280-47580	STAY ASSY,P BRAKE	1	1	1					
18	2	24550-020200	BUSH 20X20,DRY	1	1	1					
19	1	198200-47650	PIN, ADJUSTMENT	1	1	1					
20	1	1C6280-62240	COLLAR 9.2X13.8X30	2	2	2					
21	1	22117-100000	WASHER 10	1	1	1					
22	1	22137-080000	WASHER 8, POLISHED	1	1	1					
23	1	22272-000060	CIRCLIP E- 6	1	1	1					
24	1	22272-000080	CIRCLIP E- 8	1	1	1					
25	1	22351-060050	SPRING PIN 6X50	1	1	1					
26	1	22372-080000	SNAP PIN (JASO 8)	1	1	1					
27	1	22522-030130	WOODRUFF KEY 3X13	1	1	1					
28	1	24311-000200	O-RING 1A P-20.0	2	2	2					
29	1	26106-080162	BOLT M 8X 16 PLATED	2	2	2					
30	1	26106-080502	BOLT M 8X 50 PLATED	2	2	2					
31	1	26106-080502	BOLT M 8X 50 PLATED	2	2	2					
32	1	26716-080002	NUT M 8	2	2	2					
33	1	26716-080002	NUT M 8	2	2	2					
34	1	198072-27880	BOOT,SHAFT	1	1	1					
35	1	198200-47110	LEVER, POSITION	1	1	1					
36	1	198200-47810	KNOB, BLACK	1	1	1					
37	1	26106-080162	BOLT M 8X 16 PLATED	2	2	2					

Fig.70. HYDRAULIC CONTROL (DRAFT)



(A)=EF227E
(B)=EF230E
(C)=EF233E

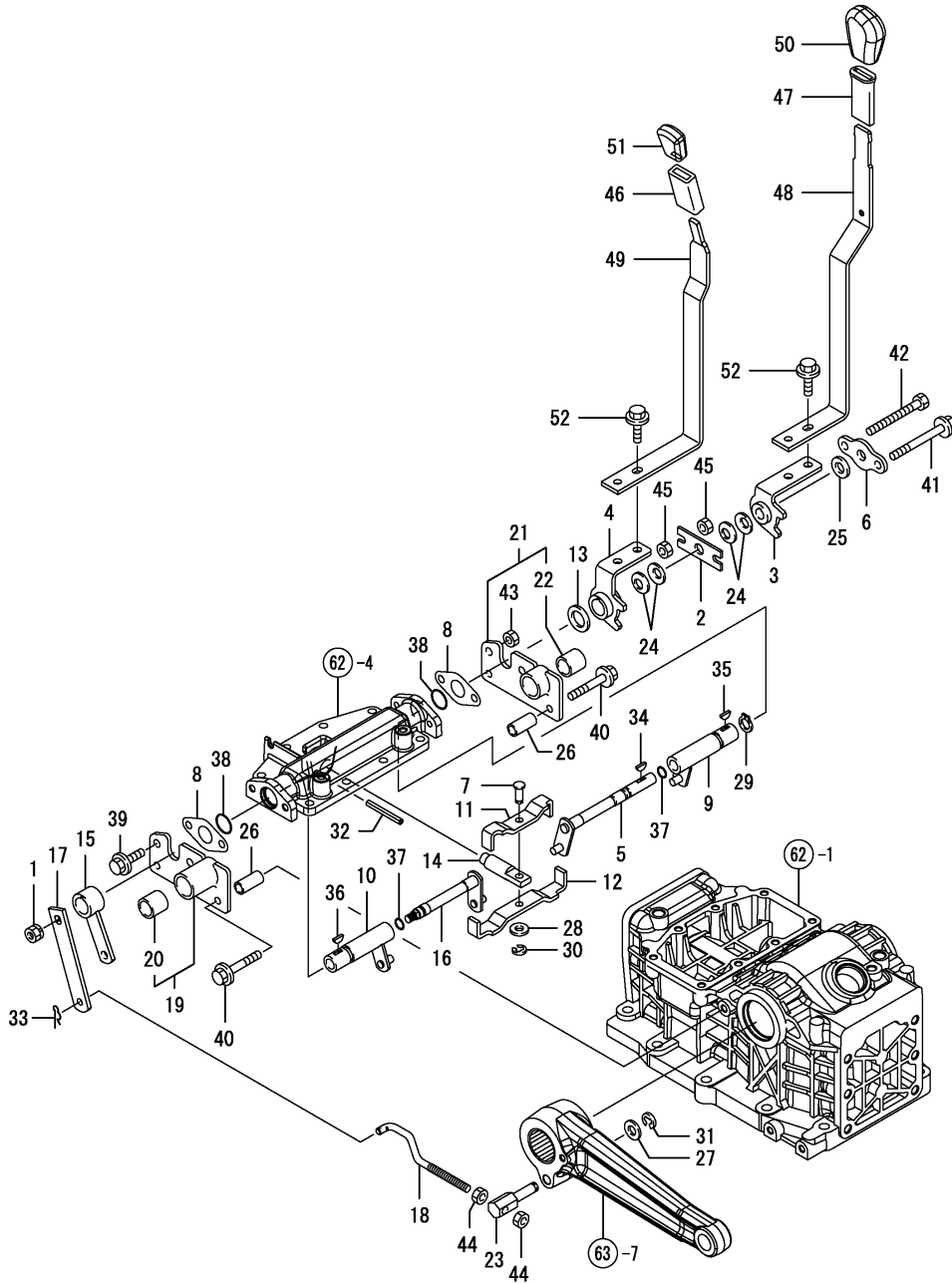
(D)=
(E)=
(F)=

REF.	LEV.	PARTS NO.	DESCRIPTION	Q'TY						I	R
				(A)	(B)	(C)	(D)	(E)	(F)		
1	1	194990-22050	NUT W/WASHER 8	1	1	1					
2	1	198287-47150	PLATE, GUIDE	1	1	1					
3	1	198287-47210	ARM, P LEVER	1	1	1					
4	1	198200-47250	ARM, AUTO LEVER	1	1	1					
5	1	198287-47310	SHAFT, P LEVER	1	1	1					
6	1	194170-47320	PLATE	1	1	1					
7	1	198431-47340	PIN,CONTROL	1	1	1					
8	1	194555-47350	PLATE	2	2	2					
9	1	198287-47360	SHAFT, D LEVER	1	1	1					
10	1	198287-47390	SHAFT, D FEEDBACK	1	1	1					
11	1	198200-47411	LINK, P CONTROL	1	1	1					
12	1	198200-47431	LINK, D CONTROL	1	1	1					
13	1	194170-47440	PLATE, FRICTION	1	1	1					
14	1	198200-47460	ROD, CONTROL	1	1	1					
15	1	198287-47470	ARM,D FEEDBACK	1	1	1					
16	1	198200-47500	SHAFT, P FEEDBACK	1	1	1					
17	1	198200-47510	ARM, P FEEDBACK	1	1	1					
18	1	198280-47540	ROD, P FEEDBACK	1	1	1					
19	1	198280-47550	STAY ASSY,P BRAKE	1	1	1					
20	2	24550-020200	BUSH 20X20,DRY	1	1	1					
21	1	198280-47580	STAY ASSY,P BRAKE	1	1	1					
22	2	24550-020200	BUSH 20X20,DRY	1	1	1					
23	1	198200-47650	PIN, ADJUSTMENT	1	1	1					
24	1	194151-47760	WASHER 12	4	4	4					
25	1	194310-47790	PLATE, FRICTION	1	1	1					
26	1	1C6280-62240	COLLAR 9.2X13.8X30	2	2	2					
27	1	22117-100000	WASHER 10	1	1	1					
28	1	22137-080000	WASHER 8, POLISHED	1	1	1					
29	1	22242-000120	CIRCLIP 12	1	1	1					
30	1	22272-000060	CIRCLIP E- 6	1	1	1					
31	1	22272-000080	CIRCLIP E- 8	1	1	1					
32	1	22351-060050	SPRING PIN 6X50	1	1	1					
33	1	22372-080000	SNAP PIN (JASO 8)	1	1	1					
34	1	22522-030130	WOODRUFF KEY 3X13	1	1	1					
35	1	22522-030130	WOODRUFF KEY 3X13	1	1	1					
36	1	22522-030130	WOODRUFF KEY 3X13	1	1	1					
37	1	24311-000090	O-RING 1A P-9.0	2	2	2					
38	1	24311-000200	O-RING 1A P-20.0	2	2	2					
39	1	26106-080162	BOLT M 8X 16 PLATED	2	2	2					
40	1	26106-080502	BOLT M 8X 50 PLATED	2	2	2					
41	1	26106-080752	BOLT M 8X 75 PLATED	1	1	1					
42	1	26116-080754	BOLT M 8X 75 PLATED	1	1	1					
43	1	26716-080002	NUT M 8	2	2	2					
44	1	26716-080002	NUT M 8	2	2	2					
45	1	26716-080002	NUT M 8	2	2	2					
46	1	174845-27700	BOOT, SHAFT	1	1	1					
47	1	198072-27880	BOOT,SHAFT	1	1	1					
48	1	198200-47110	LEVER, POSITION	1	1	1					
49	1	198200-47120	LEVER, AUTO	1	1	1					
50	1	198200-47810	KNOB, BLACK	1	1	1					
51	1	194273-47910	KNOB	1	1	1					

Fig.70. HYDRAULIC CONTROL (DRAFT)

(A)=EF227E
(B)=EF230E
(C)=EF233E

(D)=
(E)=
(F)=

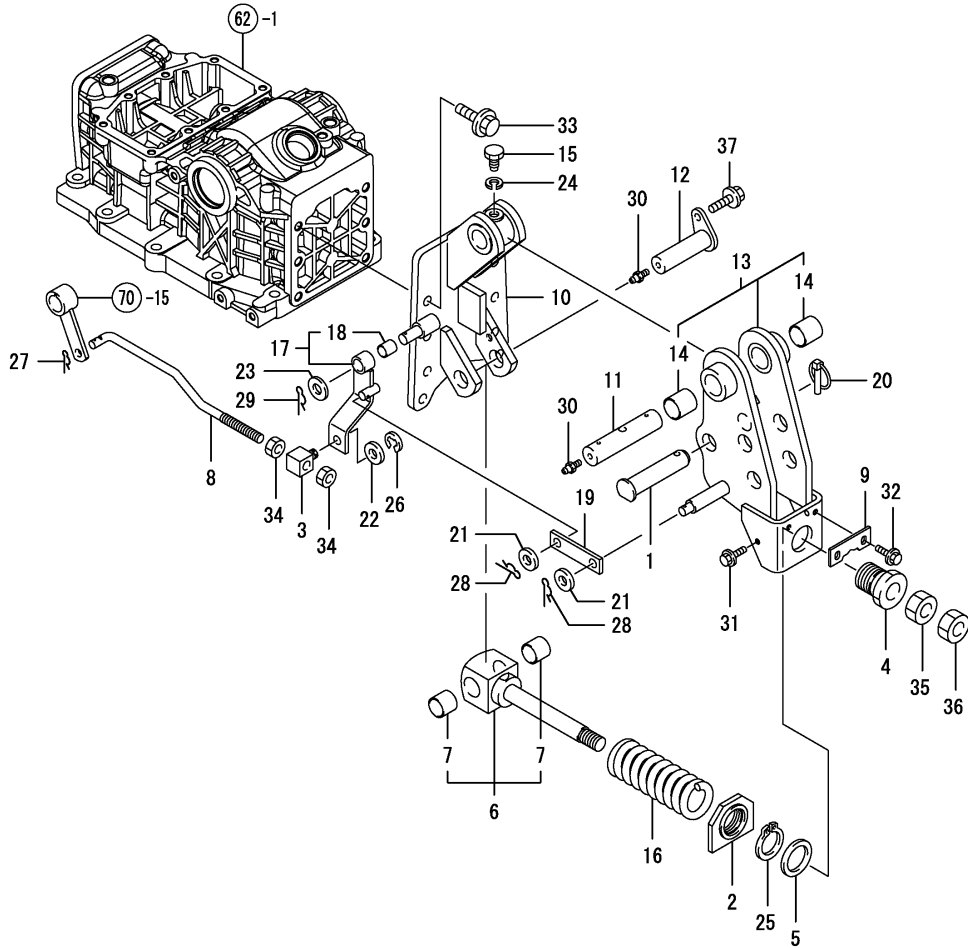


REF.	LEV.	PARTS NO.	DESCRIPTION	Q'TY						I	R
				(A)	(B)	(C)	(D)	(E)	(F)		
52	1	26106-080162	BOLT M 8X 16 PLATED	4	4	4					

Fig.71. DRAFT CONTROL

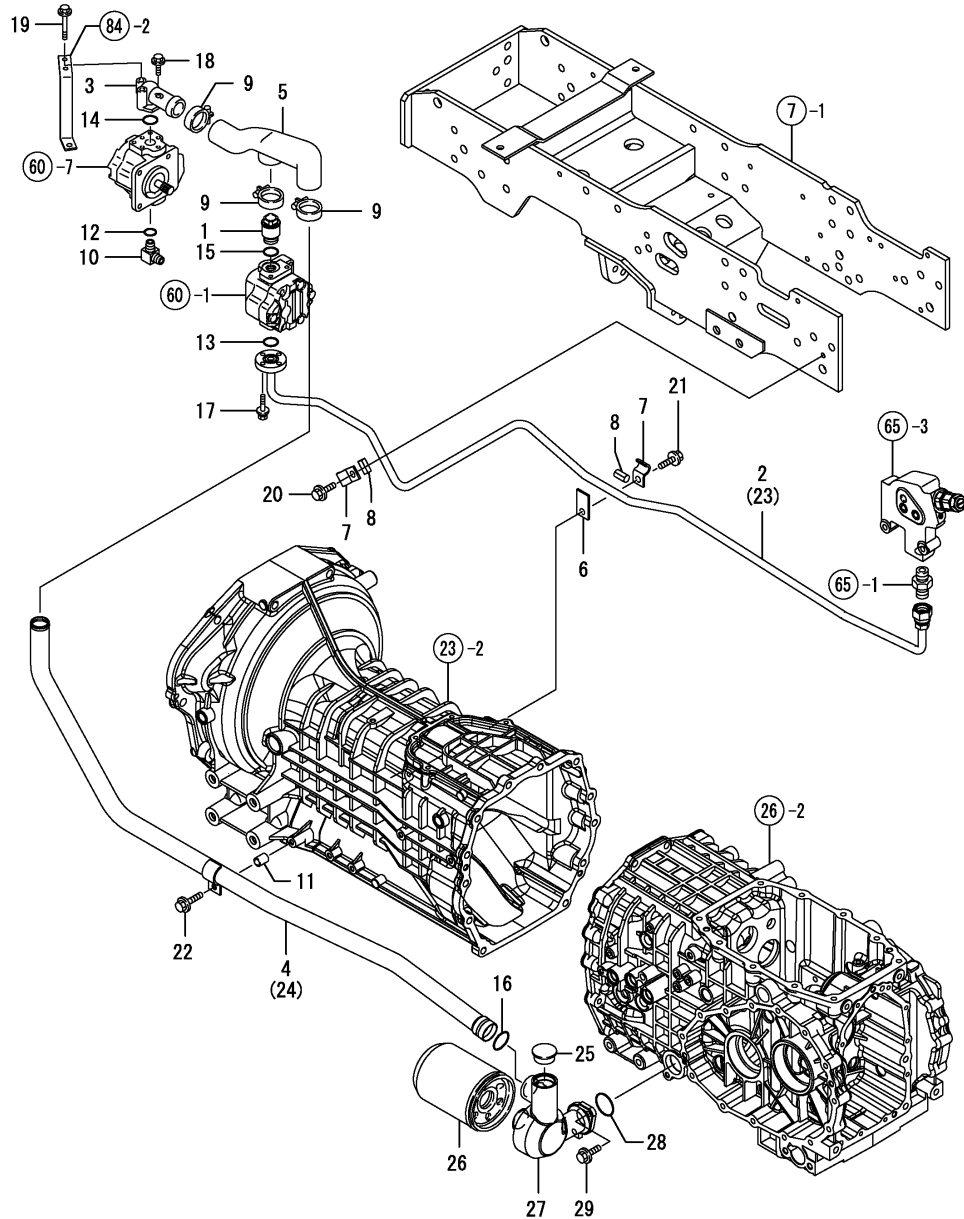
(A)=EF227E
(B)=EF230E
(C)=EF233E

(D)=
(E)=
(F)=



REF.	LEV.	PARTS NO.	DESCRIPTION	Q'TY						I	R
				(A)	(B)	(C)	(D)	(E)	(F)		
1	1	195385-27810	PIN 19X80	1	1	1					
2	1	198287-47510	HOLDER,SPRING	1	1	1					
3	1	194550-47530	ADJUSTER	1	1	1					
4	1	198287-47550	BOLT,ADJUST	1	1	1					
5	1	198287-47570	SPACER	1	1	1					
6	1	198287-47600	BOLT ASSY, SET	1	1	1					
7	2	194640-47720	BUSH 20X23X20	2	2	2					
8	1	198287-47660	ROD,FEEDBACK	1	1	1					
9	1	198287-47680	PLATE,	1	1	1					
10	1	198287-47720	SUPPORT,HINGE	1	1	1					
11	1	194320-47760	PIN 22	1	1	1					
12	1	194640-47790	PIN, HINGE	1	1	1					
13	1	198287-47800	HING ASSY,	1	1	1					
14	2	194190-11520	BUSH 25X25	2	2	2					
15	1	194320-47860	BOLT	1	1	1					
16	1	198172-47890	SPRING	1	1	1					
17	1	198287-47900	LINK ASSY,D	1	1	1					
18	2	24550-012150	BUSH 12X15	1	1	1					
19	1	198287-47960	PLATE,LINK	1	1	1					
20	1	194180-72950	PIN ASSY, LOCK	1	1	1					
21	1	22117-100000	WASHER 10	2	2	2					
22	1	22117-100000	WASHER 10	1	1	1					
23	1	22117-120000	WASHER 12	1	1	1					
24	1	22217-100000	SPRING WASHER 10	1	1	1					
25	1	22242-000300	CIRCLIP 30	1	1	1					
26	1	22272-000070	CIRCLIP E- 7	1	1	1					
27	1	22372-080000	SNAP PIN (JASO 8)	1	1	1					
28	1	22372-100000	SNAP PIN 10	2	2	2					
29	1	22372-100000	SNAP PIN 10	1	1	1					
30	1	24761-010000	NIPPLE M6F, GREASE	2	2	2					
31	1	26106-060102	BOLT 6X 10 PLATED	2	2	2					
32	1	26106-060122	BOLT M 6X 12 PLATED	2	2	2					
33	1	26106-100252	BOLT M10X 25 PLATED	8	8	8					
34	1	26716-100002	NUT 10	2	2	2					
35	1	26716-160002	NUT M16	1	1	1					
36	1	26756-160002	LOCK NUT M16 PLATED	1	1	1					
37	1	26106-080122	BOLT M 8X 12 PLATED	1	1	1					

Fig.72. HYDRAULIC PIPING



(A)=EF227E

(B)=EF230E

(C)=EF233E

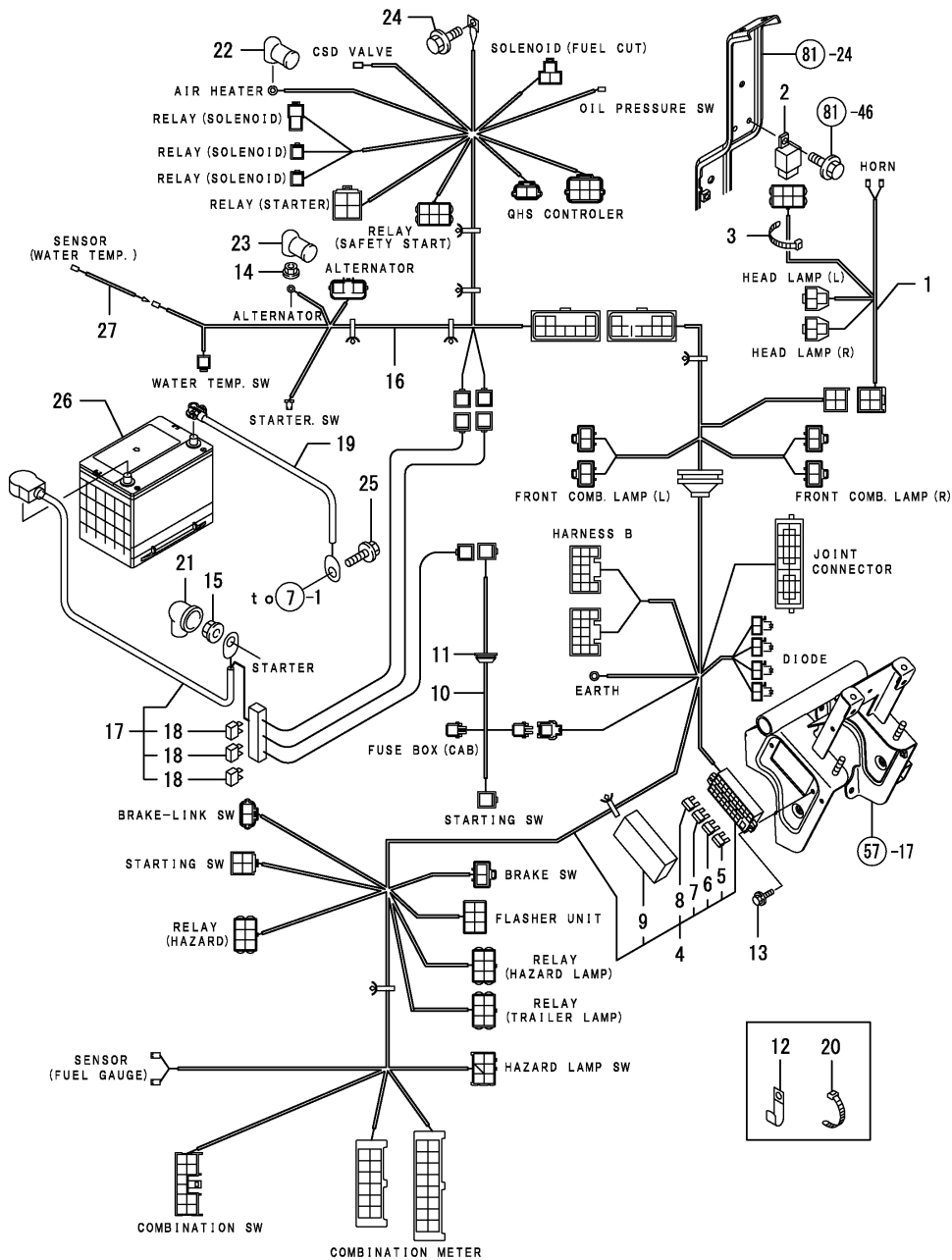
(D)=

(E)=

(F)=

REF.	LEV.	PARTS NO.	DESCRIPTION	Q'TY						I	R
				(A)	(B)	(C)	(D)	(E)	(F)		
1	1	198010-41211	JOINT M22	1	1	1					
2	1	198200-48110	LINE ASSY,PRESSURE	1							
3	1	198220-48140	FLANGE	1	1	1					
4	1	198200-48160	LINE ASSY,LOW PRESS.	1							
5	1	198072-48340	TUBE,LOW-PRES.RUBBER	1	1	1					
6	1	198330-48410	CLAMP	1	1	1					
7	1	198200-48810	CLAMP	2	2	2					
8	1	198240-48850	CUSSION	2	2	2					
9	1	175022-49730	CRIP 31, HOSE	3	3	3					
10	1	1E6680-66470	ELBOW 3/8 W/SEAT	1	1	1					
11	1	198360-86840	COLLAR 8.4X12X15	1	1	1					
12	1	24311-000140	O-RING 1A P-14.0	1	1	1					
13	1	24311-000200	O-RING 1A P-20.0	1	1	1					
14	1	24311-000200	O-RING 1A P-20.0	1	1	1					
15	1	24311-000200	O-RING 1A P-20.0	1	1	1					
16	1	24311-000260	O-RING 1A P-26.0	1	1	1					
17	1	26018-060252	BOLT M 6X 25	4	4	4					
18	1	26106-060202	BOLT M 6X 20 PLATED	1	1	1					
19	1	26106-060452	BOLT M 6X 45 PLATED	2	2	2					
20	1	26106-080162	BOLT M 8X 16 PLATED	1	1	1					
21	1	26106-080202	BOLT M 8X 20 PLATED	1	1	1					
22	1	26106-080302	BOLT M 8X 30 PLATED	1	1	1					
23	1	198208-48110	LINE ASSY,PRESSURE	1	1	1					
24	1	198208-48160	LINE ASSY,LOW PRESS.	1	1	1					
25	1	1A6660-24250	PLUG, BORE 32	1	1	1					
26	1	198119-48310	ELEMENT	1	1	1					
27	1	198200-48350	COVER, FILTER	1	1	1					
28	1	24311-000340	O-RING 1A P-34.0	1	1	1					
29	1	26106-080252	BOLT M 8X 25 PLATED	2	2	2					

Fig.73. WIRE HARNESS

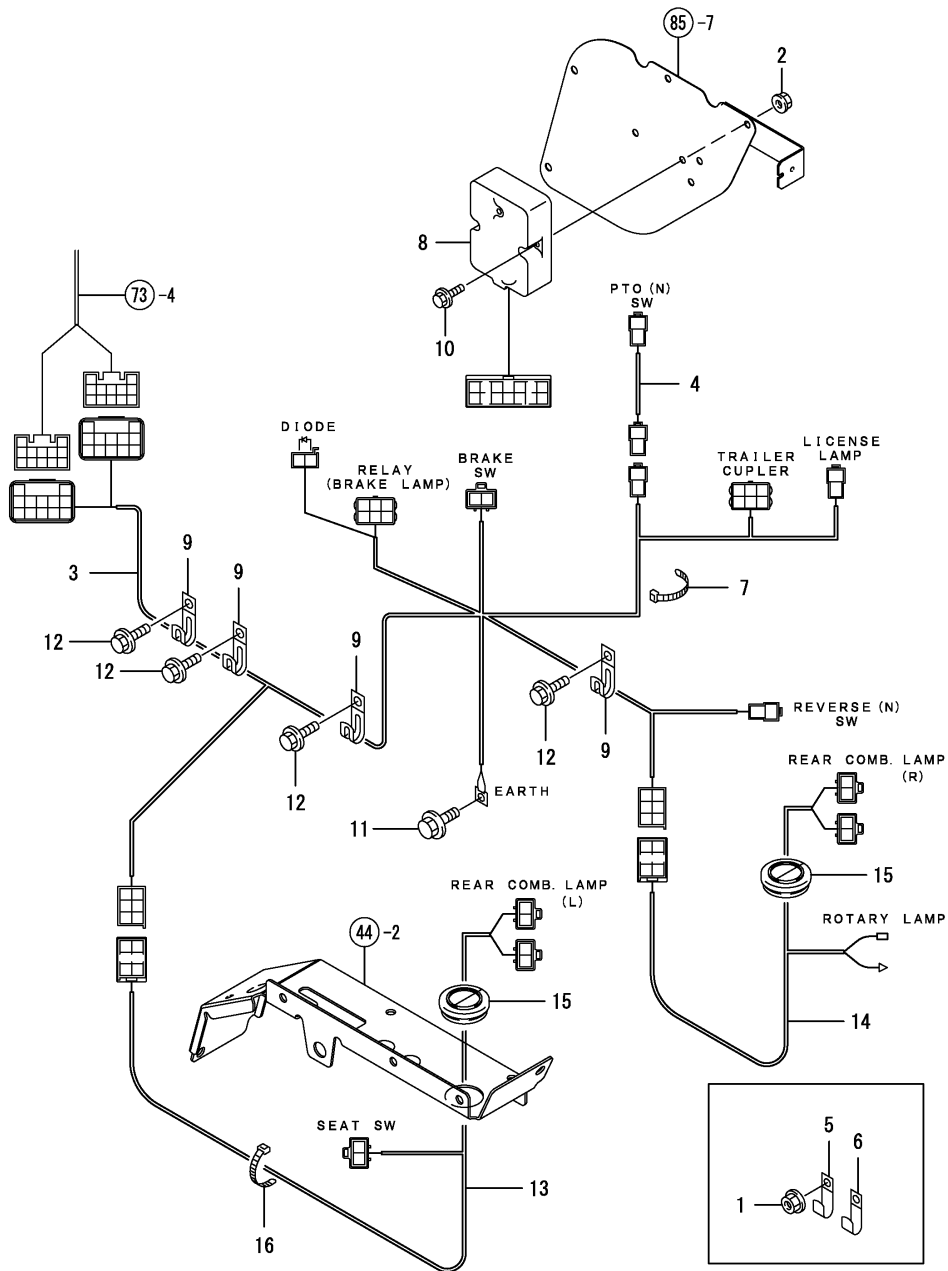


(A)=EF227E
(B)=EF230E
(C)=EF233E

(D)=
(E)=
(F)=

REF.	LEV.	PARTS NO.	DESCRIPTION	QTY						I	R
				(A)	(B)	(C)	(D)	(E)	(F)		
1	1	198280-51170	WIRING HARNESS, LAMP	1	1	1					
2	1	198461-52950	RELAY CA,TYPE C	1	1	1					
3	1	29622-250001	BAND RF 250	1	1	1					
4	1	198282-51150	WIRING HARNESS, F	1	1	1					
5	2	198535-52110	FUSE	3	3	3					
6	2	198535-52120	FUSE 10A	4	4	4					
7	2	198535-52130	FUSE 15A	3	3	3					
8	2	198535-52140	FUSE 20A	3	3	3					
9	2	198200-52520	COVER, FUSE BOX	1	1	1					
10	1	198280-51200	CABLE, STARTER	1	1	1					
11	1	194170-51210	GROMMET 25	1	1	1					
12	1	194242-51660	CLAMP, WIRE HARNESS	1	1	1					
13	1	26106-060122	BOLT M 6X 12 PLATED	2	2	2					
14	1	194990-22130	NUT W/WASHER 6	1	1	1					
15	1	194990-22140	NUT W/WASHER 8	1	1	1					
16	1	198282-51110	WIRING HARNESS, A	1	1	1					
17	1	198280-51410	CABLE, BATTERY	1	1	1					
18	2	1A7000-52820	SLOW BLOW FUSE60A	3	3	3					
19	1	194250-51420	CABLE, BATTERY EARTH	1	1	1					
20	1	198220-51870	CLAMP 200	3	3	3					
21	1	124550-77030	COVER, TERMINAL	1	1	1					
22	1	124756-77040	COVER, TERMINAL	1	1	1					
23	1	124756-77040	COVER, TERMINAL	1	1	1					
24	1	26106-080122	BOLT M 8X 12 PLATED	1	1	1					
25	1	26106-080162	BOLT M 8X 16 PLATED	1	1	1					
26	1	198280-51540	BATTERY,	1	1	1					
27	1	198200-51510	CORD,WATER TEMP.	1							

Fig.74. WIRE HARNESS

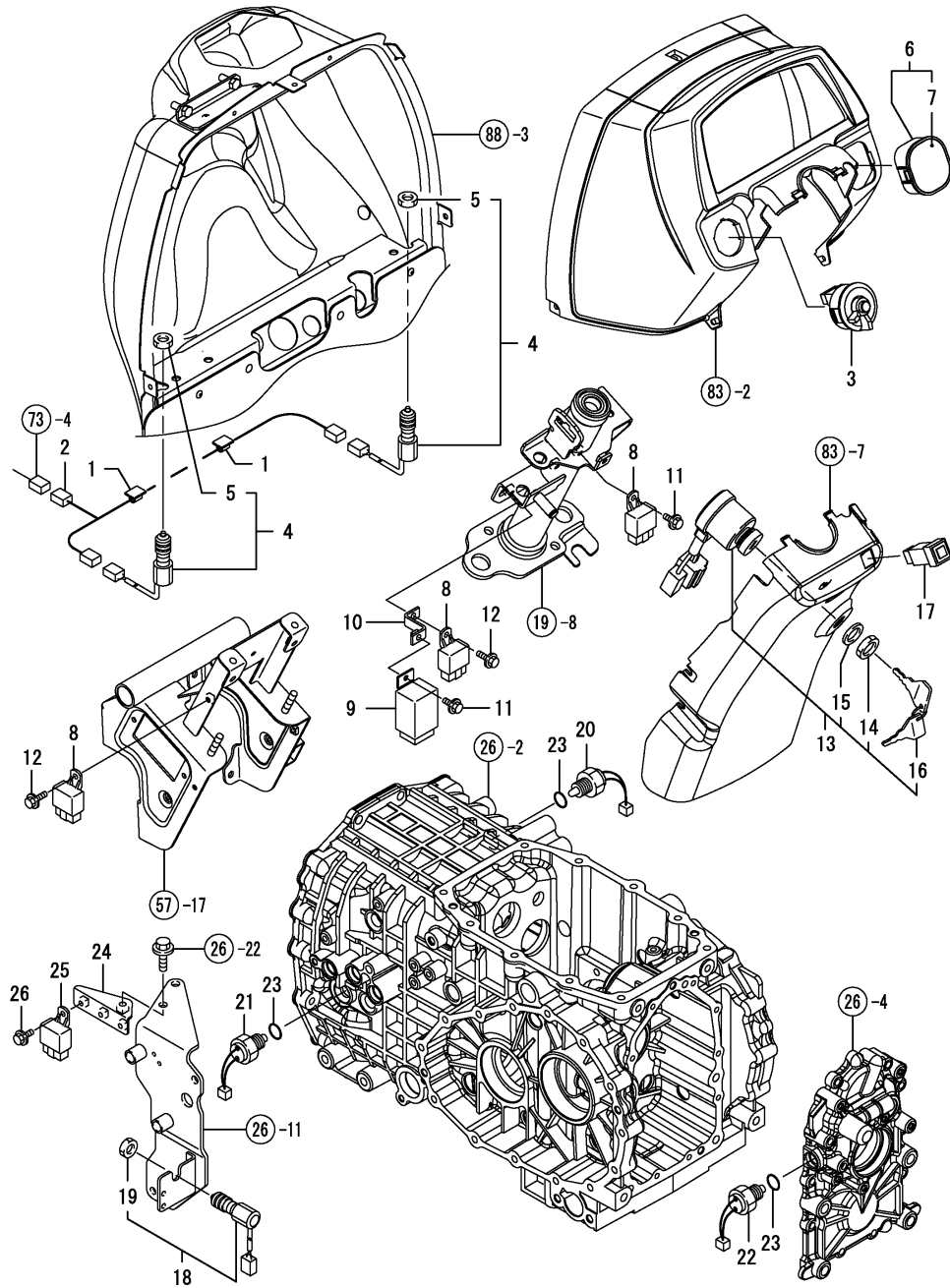


(A)=EF227E
(B)=EF230E
(C)=EF233E

(D)=
(E)=
(F)=

REF.	LEV.	PARTS NO.	DESCRIPTION	Q'TY						I	R
				(A)	(B)	(C)	(D)	(E)	(F)		
1	1	194990-22130	NUT W/WASHER 6	1	1	1					
2	1	194990-22130	NUT W/WASHER 6	2	2	2					
3	1	198282-51130	WIRING HARNESS, B	1	1	1					
4	1	198282-51230	WIRING HARNESS EX,PT	1	1	1					
5	1	194440-51630	CLAMP, WIRE HARNESS	1	1	1					
6	1	194180-51640	CLAMP, WIRE HARNESS	2	2	2					
7	1	198220-51870	CLAMP 200	1	1	1					
8	1	198165-52600	CONTROLER,CHAIN	1	1	1					
9	1	1E6102-83230	CLAMP,BATTERY CABLE	4	4	4					
10	1	26106-060202	BOLT M 6X 20 PLATED	2	2	2					
11	1	26106-080122	BOLT M 8X 12 PLATED	1	1	1					
12	1	26106-080122	BOLT M 8X 12 PLATED	4	4	4					
13	1	198280-51180	WIRING HARNESS, C	1	1	1					
14	1	198280-51190	WIRING HARNESS, D	1	1	1					
15	1	198133-51350	GROMMET 38A	2	2	2					
16	1	29622-250001	BAND RF 250	1	1	1					

Fig.75. SWITCH



(A)=EF227E

(B)=EF230E

(C)=EF233E

(D)=

(E)=

(F)=

REF.	LEV.	PARTS NO.	DESCRIPTION	Q'TY						I	R
				(A)	(B)	(C)	(D)	(E)	(F)		
1	1	172010-07810	STICKER, WIRE	2	2	2					
2	1	198282-51270	WIRING HARNESS, BRAKE	1	1	1					
3	1	198200-52140	SWITCH, COMBINATION	1	1	1					
4	1	198223-52150	SWITCH, BRAKE LAMP	2	2	2					
5	2	26776-120002	LOCK NUT M12 PLATED	2	2	2					
6	1	198280-52450	SWITCH BOX, CAP	1	1	1					
7	2	198280-52460	LABEL,	1	1	1					
8	1	198461-52950	RELAY CA, TYPE C	3	3	3					
9	1	198282-57200	FLASHER RELAY	1	1	1					
10	1	198282-57250	STAY, RELAY	1	1	1					
11	1	26106-060122	BOLT M 6X 12 PLATED	2	2	2					
12	1	26106-060162	BOLT M 6X 16 PLATED	2	2	2					
13	1	194940-52110	SWITCH, STARTER	1	1	1					
14	2	198360-52320	NUT, RING	1	1	1					
15	2	198360-52330	WASHER	1	1	1					
16	2	198360-52160	KEY COMPL.	1	1	1					
17	1	1A7335-52120	HAZARD SW	1	1	1					
18	1	198223-52150	SWITCH, BRAKE LAMP	1	1	1					
19	2	26776-120002	LOCK NUT M12 PLATED	1	1	1					
20	1	194464-52190	SWITCH, SAFETY START	1	1	1					
21	1	194464-52190	SWITCH, SAFETY START	1	1	1					
22	1	194464-52190	SWITCH, SAFETY START	1	1	1					
23	1	24311-000180	O-RING 1A P-18.0	3	3	3					
24	1	198280-58100	STAY, RELAY	1	1	1					
25	1	198461-52950	RELAY CA, TYPE C	1	1	1					
26	1	26106-060122	BOLT M 6X 12 PLATED	1	1	1					

Fig.76. LAMP

(A)=EF227E

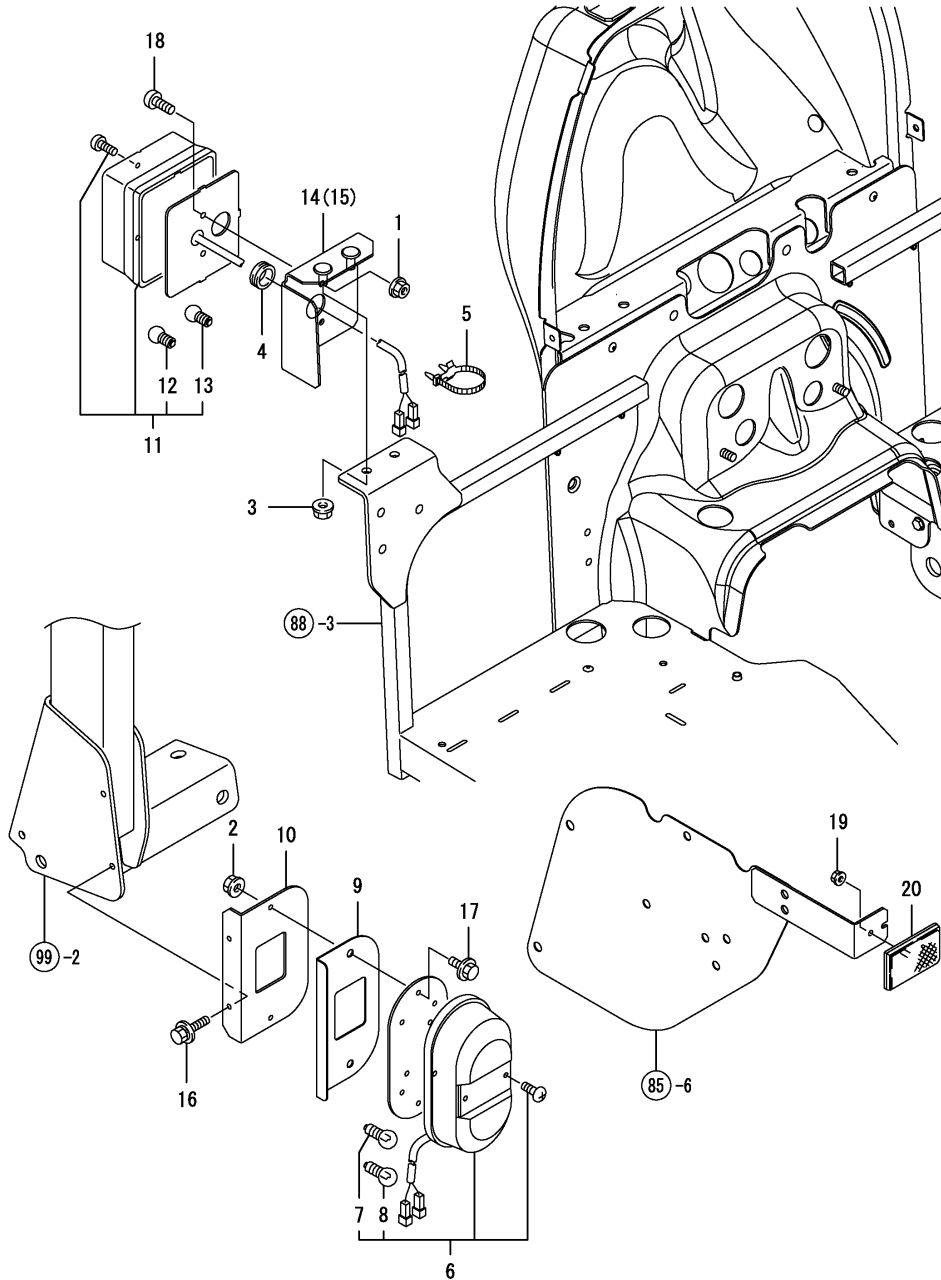
(B)=EF230E

(C)=EF233E

(D)=

(E)=

(F)=



REF.	LEV.	PARTS NO.	DESCRIPTION	Q'TY						I	R
				(A)	(B)	(C)	(D)	(E)	(F)		
1	1	194990-22120	NUT W/WASHER 5	4	4	4					
2	1	194990-22130	NUT W/WASHER 6	4	4	4					
3	1	194990-22140	NUT W/WASHER 8	4	4	4					
4	1	198448-33390	GROMMET,CABLE	2	2	2					
5	1	194680-51670	BAND	6	6	6					
6	1	198280-53300	LAMP ASSY, REAR	2	2	2					
7	2	1A7100-53220	BULB	2	2	2					
8	2	198280-53330	VALVE, 12V P21/5W	2	2	2					
9	1	198280-53350	PLATE, REAR LAMP	2	2	2					
10	1	198280-53360	STAY, REAR LAMP	2	2	2					
11	1	198280-53400	LAMP ASSY,FRONT	2	2	2					
12	2	1A7100-53220	BULB	2	2	2					
13	2	1A7100-53230	BULB	2	2	2					
14	1	198280-53510	BRACKET, L FRONT	1	1	1					
15	1	198280-53520	BRACKET, R FRONT	1	1	1					
16	1	198461-60590	BOLT 6* 20	4	4	4					
17	1	26106-060162	BOLT M 6X 16 PLATED	4	4	4					
18	1	26557-050122	SCREW M 5X 12	4	4	4					
19	1	194990-22120	NUT W/WASHER 5	2	2	2					
20	1	198280-62250	REFLECTOR	2	2	2					

Fig.77. LICENCE LAMP

(A)=EF227E
(B)=EF230E
(C)=EF233E

(D)=
(E)=
(F)=

REF.	LEV.	PARTS NO.	DESCRIPTION	Q'TY						I	R
				(A)	(B)	(C)	(D)	(E)	(F)		
1	1	194990-22130	NUT W/WASHER 6	1	1	1					
2	1	1C6650-37480	SCREW M6X16,TAPPING	2	2	2					
3	1	194440-51630	CLAMP, WIRE HARNESS	1	1	1					
4	1	1A7100-53400	LAMP	1	1	1					
5	2	1A7100-53420	BULB,LAMP	1	1	1					
6	1	198280-53710	BRACKET ASSY,	1	1	1					
7	1	198280-53750	SEAL, LICENCE LAMP	1	1	1					
8	1	198093-85650	BOLT M6X16	2	2	2					

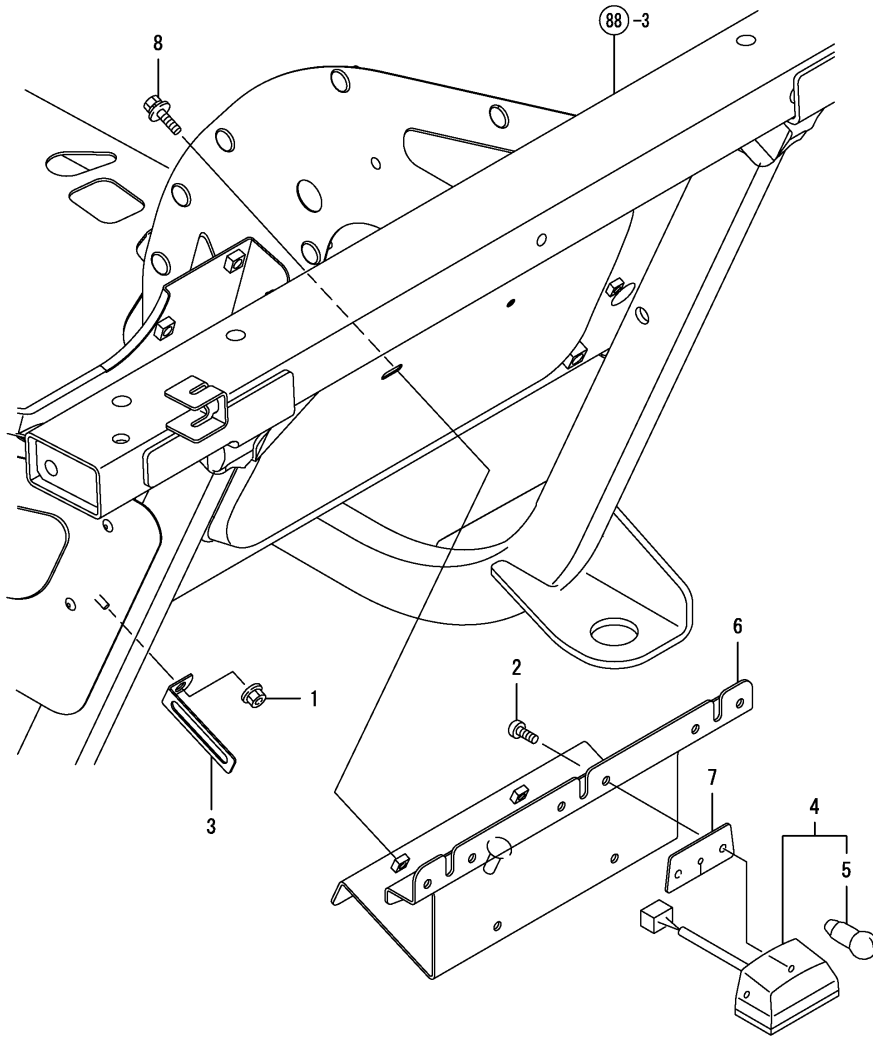


Fig.78. METER

(A)=EF227E
(B)=EF230E
(C)=EF233E

(D)=
(E)=
(F)=

REF.	LEV.	PARTS NO.	DESCRIPTION	QTY						I	R
				(A)	(B)	(C)	(D)	(E)	(F)		
1	1	198280-56011	METER ASSY,	1	1	1					
I	1-1	198280-56012	METER ASSY,	1	1	1					N
		(A=FXXXXXX) (B=FXXXXXX) (C=FXXXXXX)									
I	1-2	198280-56013	METER ASSY,	1	1	1					R
		(A=FXXXXXX) (B=FXXXXXX) (C=FXXXXXX)									
I	4-1	2 198280-56042	PCB. ASSY,	1	1	1					N
		(A=FXXXXXX) (B=FXXXXXX) (C=FXXXXXX)									
I	4-2	2 198280-56043	PCB. ASSY,	1	1	1					R
		(A=FXXXXXX) (B=FXXXXXX) (C=FXXXXXX)									
5	2	1C6920-36260	LAMP ASSY.,SOCKET	1	1	1					
6	2	198200-56050	BULB, 14V-1.7W	10	10	10					
7	2	198448-56150	LAMP 14V/1.4W,SOCKET	5	5	5					
8	2	198200-56060	GLASS,	1	1	1					
11	1	194940-61790	SCREW 5X16	4	4	4					

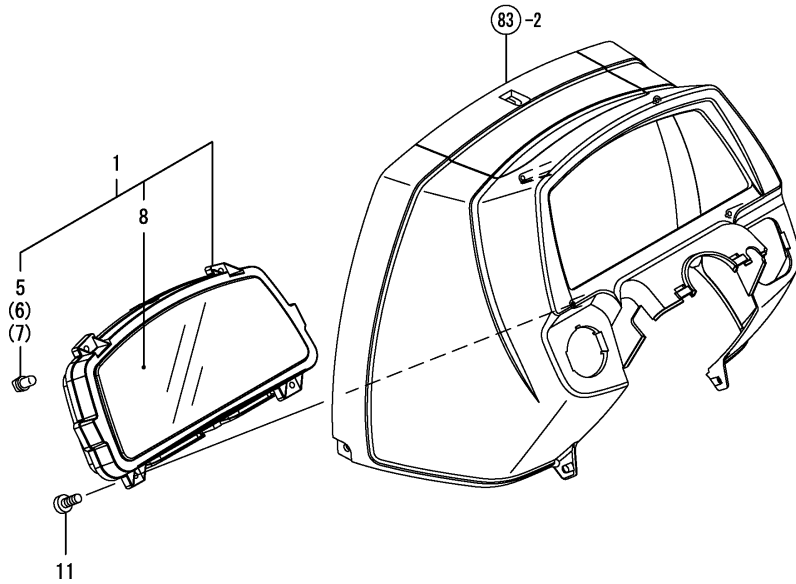


Fig.79. HORN

(A)=EF227E
(B)=EF230E
(C)=EF233E

(D)=
(E)=
(F)=

REF.	LEV.	PARTS NO.	DESCRIPTION	Q'TY						I	R
				(A)	(B)	(C)	(D)	(E)	(F)		
1	1	1C7100-08150	HORN,ELECTRIC	1	1	1					
2	1	26106-060082	BOLT M 6X 8 PLATED	1	1	1					

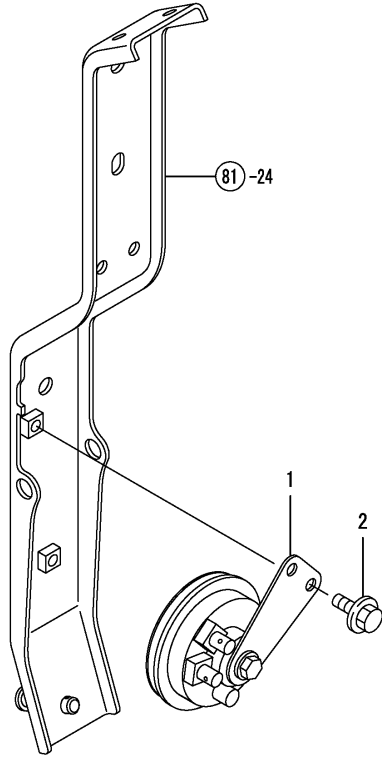
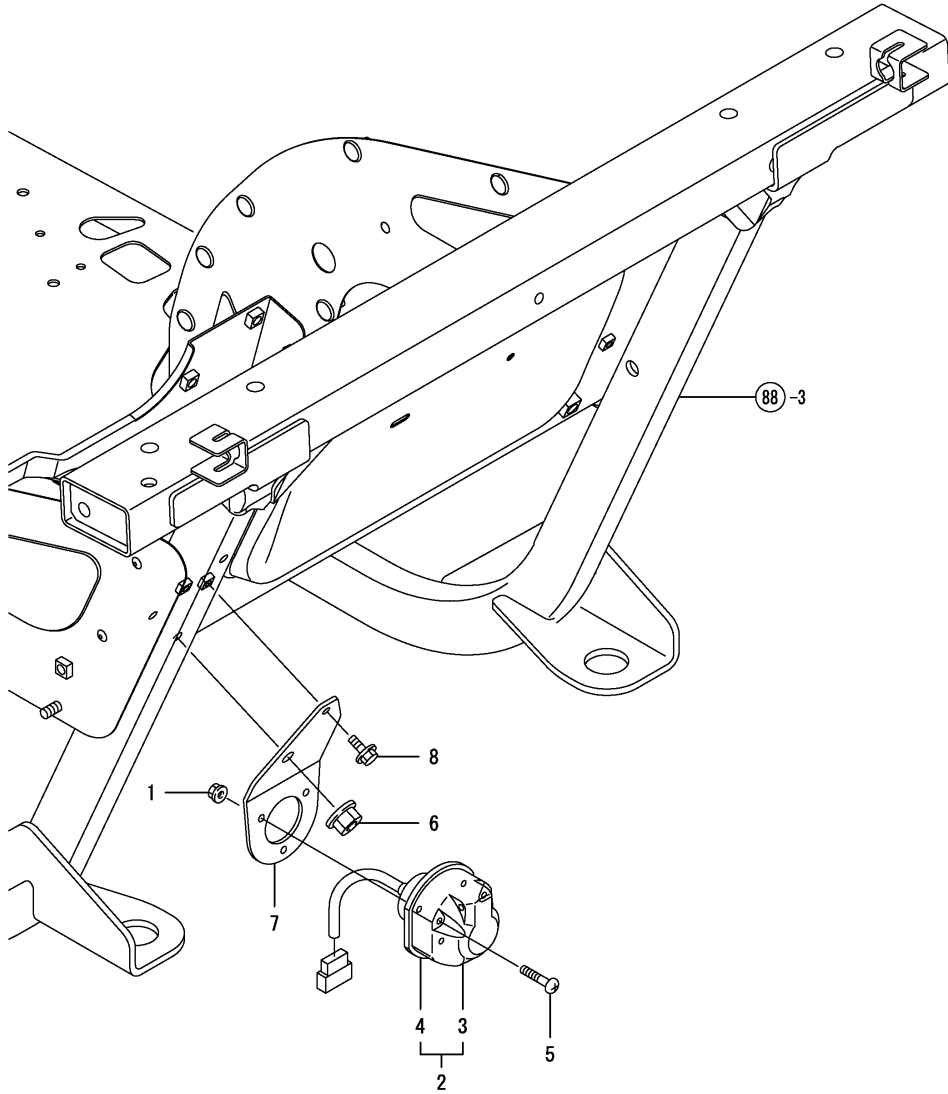


Fig.80. COUPLER

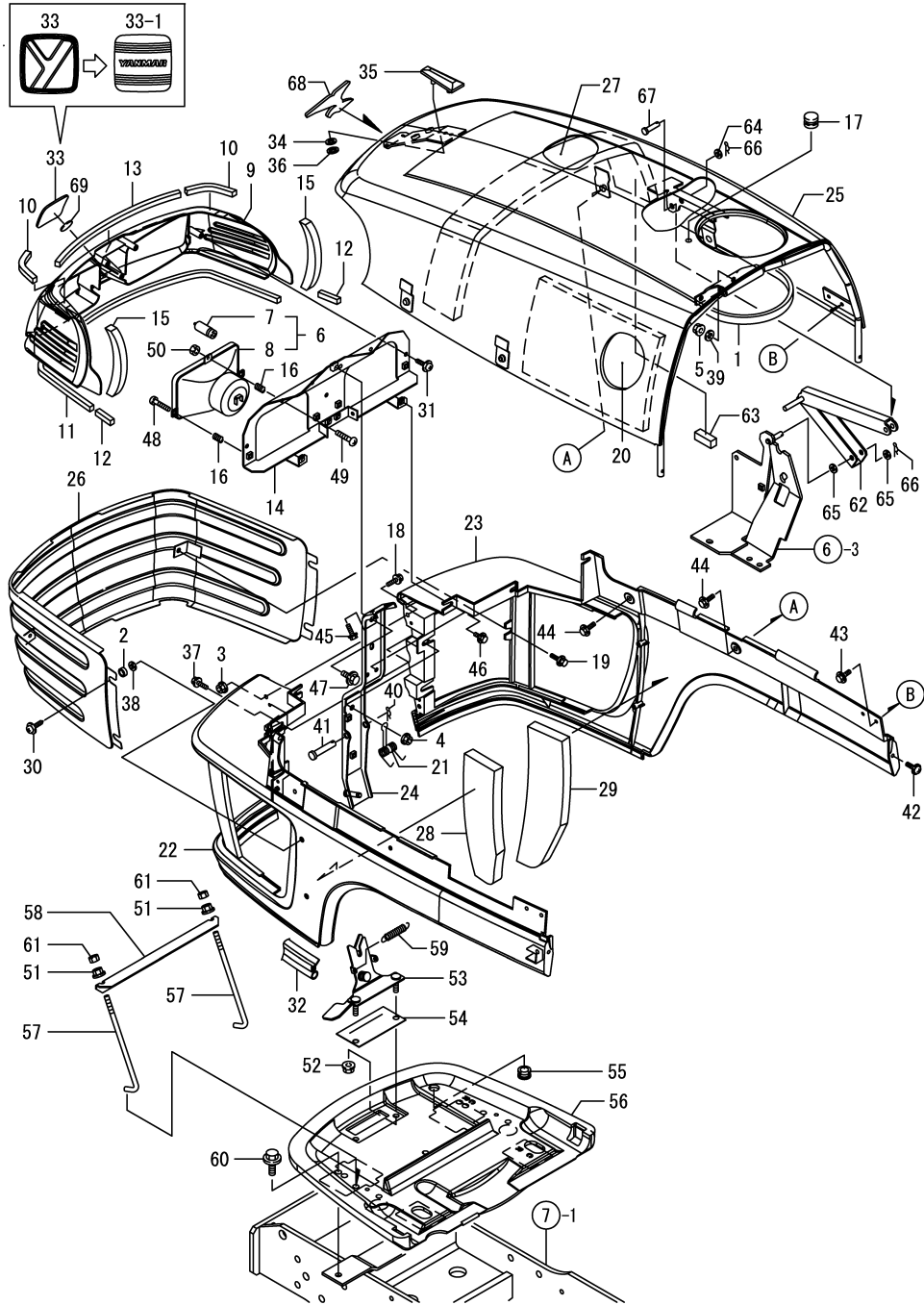
(A)=EF227E
(B)=EF230E
(C)=EF233E

(D)=
(E)=
(F)=



REF.	LEV.	PARTS NO.	DESCRIPTION	Q'TY						I	R
				(A)	(B)	(C)	(D)	(E)	(F)		
1	1	194990-22120	NUT W/WASHER 5	3	3	3					
2	1	198163-52150	COUPLER SET,	1	1	1					
3	2	198163-52110	COUPLER ASSY,	1	1	1					
4	2	198163-52120	BOOT, COUPLER	1	1	1					
5	1	26557-050352	SCREW M 5X 35	3	3	3					
6	1	194990-22150	NUT W/WASHER 10	1	1	1					
7	1	198280-57340	BRACKET, COUPLER	1	1	1					
8	1	26106-060122	BOLT M 6X 12 PLATED	1	1	1					

Fig.81. HOOD



(A)=EF227E

(B)=EF230E

(C)=EF233E

(D)=

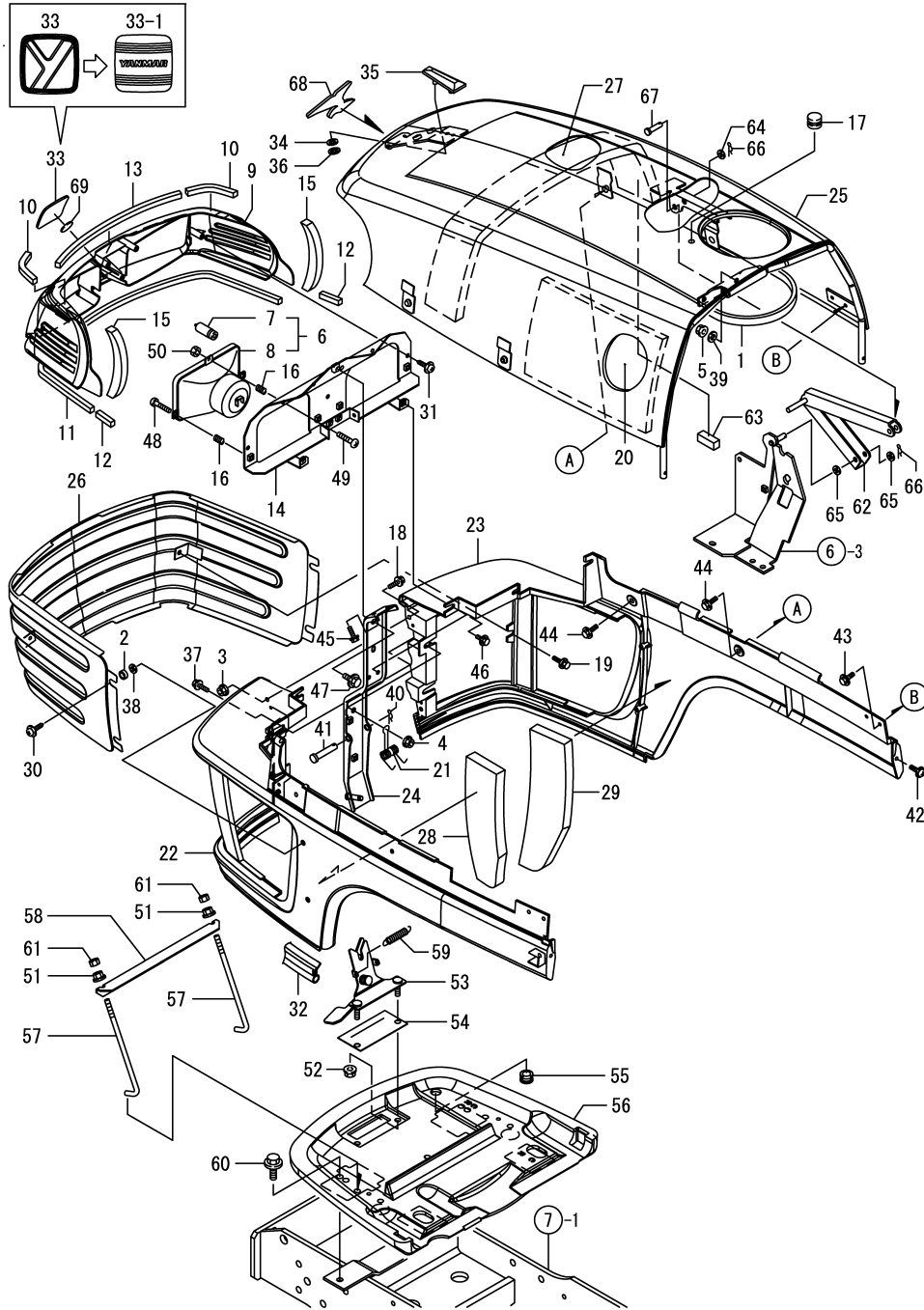
(E)=

(F)=

REF.	LEV.	PARTS NO.	DESCRIPTION	Q'TY						I	R
				(A)	(B)	(C)	(D)	(E)	(F)		
1	1	198200-04251	GASKET, DRIP PAN	1	1	1					
2	1	174501-07060	COLLAR 10X15X6	4	4	4					
3	1	194990-22130	NUT W/WASHER 6	2	2	2					
4	1	194990-22140	NUT W/WASHER 8	1	1	1					
5	1	194990-22140	NUT W/WASHER 8	2	2	2					
6	1	1A7100-53100	HEADLAMP CMP.	2	2	2					
7	2	1A7100-53130	BULB	2	2	2					
8	2	1A7100-53140	COVER	2	2	2					
9	1	198280-53150	COVER, HEAD LAMP	1	1	1					
10	1	198280-53170	SEAL, A COVER	2	2	2					
11	1	198280-53180	SEAL, B COVER	1	1	1					
12	1	198280-53190	SEAL, C COVER	2	2	2					
13	1	198200-53210	SEAL, HEAD LAMP	1	1	1					
14	1	198280-53210	BRACKET ASSY, LAMP	1	1	1					
15	1	198200-53230	SEAL, HEAD LAMP	2	2	2					
16	1	198327-53280	SPRING 1.2	6	6	6					
17	1	194197-56350	GROMMET	1	1	1					
18	1	198461-60590	BOLT 6* 20	3	3	3					
19	1	198461-60590	BOLT 6* 20	2	2	2					
20	1	1A7260-60890	URETHANE, HOOD UPPER	1	1	1					
21	1	198200-60910	SPRING, HOOD	1	1	1					
22	1	198200-61152	HOOD, LOWER L	1	1	1					
23	1	198200-61162	HOOD, LOWER R	1	1	1					
24	1	198280-61210	STAY ASSY, FRONT	1	1	1					
25	1	198280-61260	HOOD M ASSY	1	1	1					
26	1	198200-61340	NET ASSY, HOOD	1	1	1					
27	1	198200-61410	URETHANE, HOOD UPPER	1	1	1					
28	1	198200-61420	URETHANE, HOOD LOWER	1	1	1					
29	1	198200-61430	URETHANE, HOOD LOWER	1	1	1					
30	1	194420-61640	SCREW M 5X 16	4	4	4					
31	1	194420-61640	SCREW M 5X 16	4	4	4					
32	1	198133-61950	RUBBER 950	1	1	1					
33	1	198421-65030	MARK 50, YANMAR	1	1	1					
I	33-1	198200-65250	LABEL, YANMAR	1	1	1					S
		(A=2006.5)	(B=2006.5)	(C=2006.5)							
34	1	194555-65130	CUSHION	2	2	2					
35	1	194940-65590	MARK, TOP	1	1	1					
36	1	198071-65610	NUT M5, SPEED	2	2	2					
37	1	198093-82510	BOLT M8X25, COLLAR	1	1	1					
38	1	22137-060000	WASHER 6, POLISHED	4	4	4					
39	1	22137-080000	WASHER 8, POLISHED	2	2	2					
40	1	22372-100000	SNAP PIN 10	1	1	1					
41	1	22487-100550	PIN 10X 55	1	1	1					
42	1	26021-050122	SCREW M 5X 12	2	2	2					
43	1	26106-060082	BOLT M 6X 8 PLATED	2	2	2					
44	1	26106-060122	BOLT M 6X 12 PLATED	4	4	4					
45	1	26106-060122	BOLT M 6X 12 PLATED	2	2	2					
46	1	26106-060162	BOLT M 6X 16 PLATED	4	4	4					
47	1	26106-080162	BOLT M 8X 16 PLATED	1	1	1					
48	1	26557-060302	SCREW M 6X 30	4	4	4					
49	1	26587-040202	SCREW M 4X 20	2	2	2					

N:Old $\frac{Yes}{No}$ New, Q:Old $\frac{No}{Yes}$ New, R:Old $\frac{Yes}{No}$ New, S:Old $\frac{No}{Yes}$ New, W:Add, Z:Discontinued, F:Interchangeable by set, K:Q'ty Change
 ++ CONTINUE ++

Fig.81. HOOD



(A)=EF227E

(B)=EF230E

(C)=EF233E

(D)=

(E)=

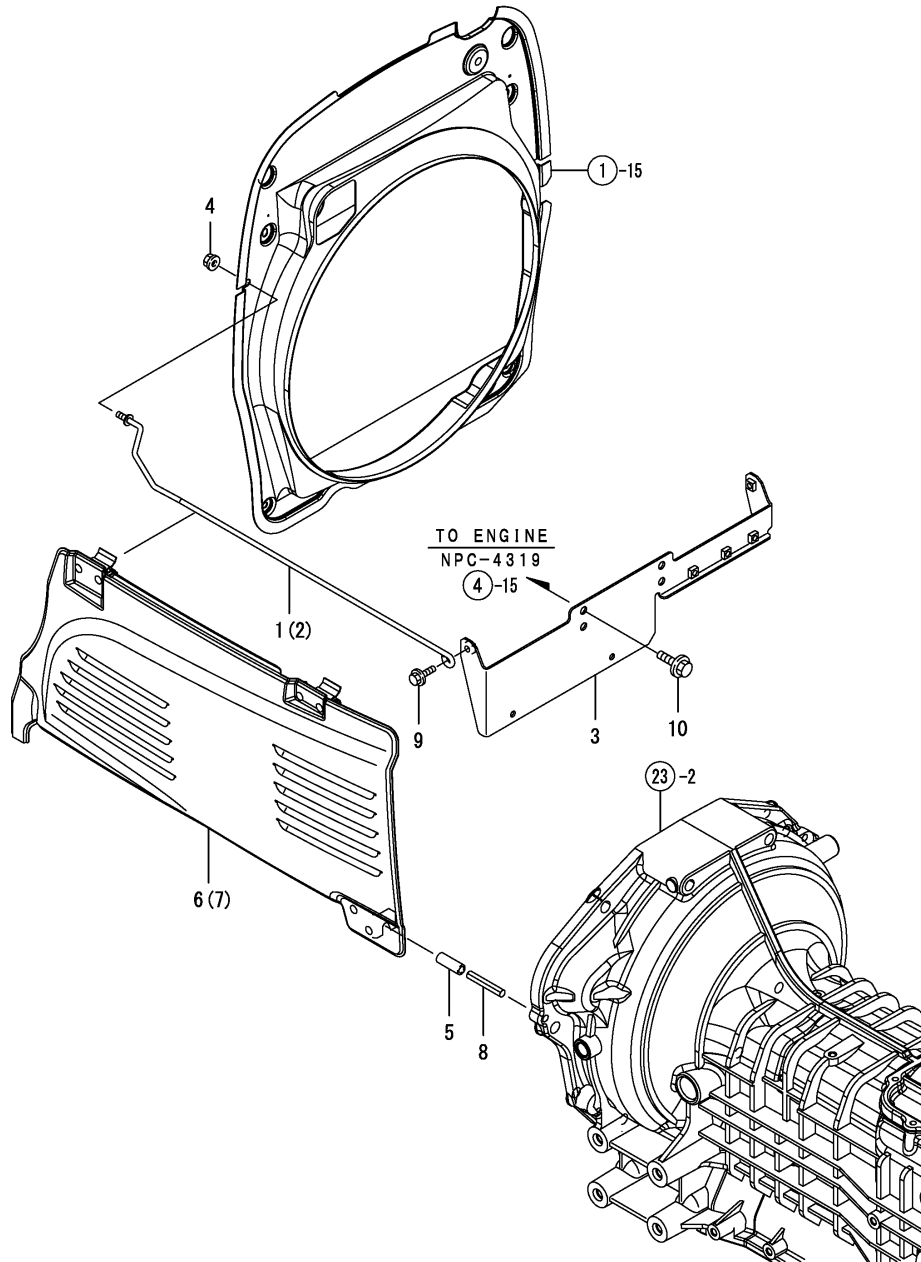
(F)=

REF.	LEV.	PARTS NO.	DESCRIPTION	Q'TY						I	R
				(A)	(B)	(C)	(D)	(E)	(F)		
50	1	26716-040002	NUT M 4	2	2	2					
51	1	194990-22140	NUT W/WASHER 8	2	2	2					
52	1	194990-22140	NUT W/WASHER 8	2	2	2					
53	1	198200-61250	LOCK ASSY, HOOD	1	1	1					
54	1	198200-61320	SEAL, HOOD LOCK	1	1	1					
55	1	198200-61490	GROMMET, 8	1	1	1					
56	1	198280-61500	SUPPORT, BATTERY	1	1	1					
57	1	198200-61530	ROD, BATTERY CLAMP	2	2	2					
58	1	198200-61580	CLAMP, BATTERY	1	1	1					
59	1	198230-61960	SPRING	1	1	1					
60	1	26106-100302	BOLT M10X 30 PLATED	2	2	2					
61	1	26716-080002	NUT M 8	2	2	2					
62	1	198200-61400	STAND ASSY	1	1	1					
63	1	198200-61550	STOPPER, STAND	3	3	3					
64	1	22137-080000	WASHER 8, POLISHED	1	1	1					
I 64-1	1	22190-080000	SEAL WASHER 8(BOLT)	1	1	1					N
		(A=FXXXXXX) (B=FXXXXXX) (C=FXXXXXX)									
65	1	22190-080000	SEAL WASHER 8(BOLT)	2	2	2					
66	1	22372-080000	SNAP PIN (JASO 8)	2	2	2					
67	1	22487-080300	PIN 8X 30	1	1	1					
I 68	1	198200-65010	MARK, BRAN 63-R400	1	1	1					W
		(A=2006.5) (B=2006.5) (C=2006.5)									
I 69	1	198208-65260	LABEL, PROTECTOR	1	1	1					W
		(A=2006.5) (B=2006.5) (C=2006.5)									

Fig.82. SIDE COVER

(A)=EF227E
(B)=EF230E
(C)=EF233E

(D)=
(E)=
(F)=

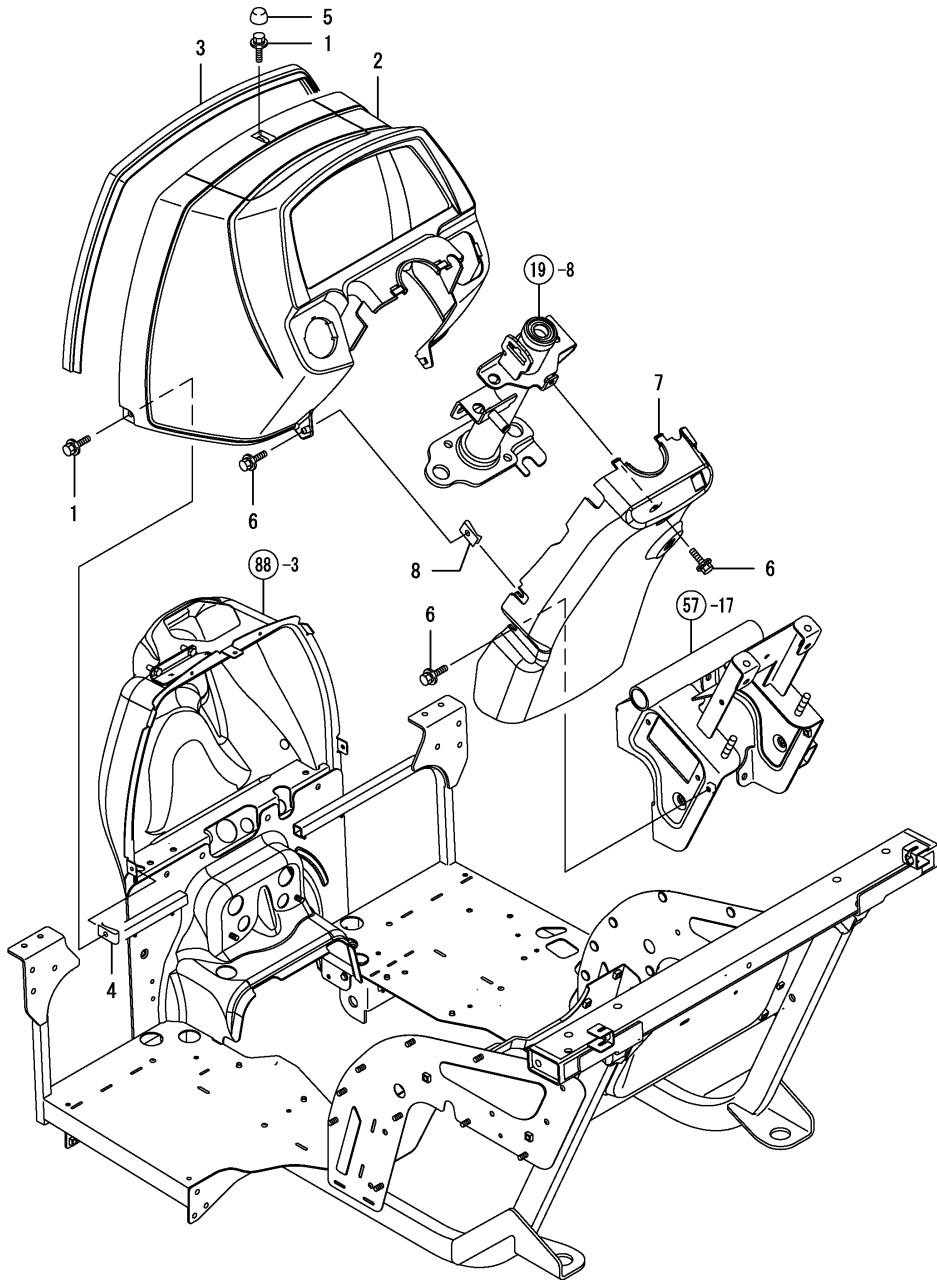


REF.	LEV.	PARTS NO.	DESCRIPTION	Q'TY						I	R
				(A)	(B)	(C)	(D)	(E)	(F)		
1	1	198200-01570	STAY ASSY, COVER L	1	1	1					
2	1	198200-01580	STAY ASSY, COVER R	1	1	1					
3	1	198200-01600	STAY ASSY, REAR	1	1	1					
4	1	194990-22130	NUT W/WASHER 6	2	2	2					
5	1	198200-60990	PIPE, GUARD	2	2	2					
6	1	198280-61000	COVER M ASSY, SIDE L	1	1	1					
7	1	198280-61010	COVER M ASSY, SIDE R	1	1	1					
8	1	22351-080050	SPRING PIN 8X50	2	2	2					
9	1	26106-060162	BOLT M 6X 16 PLATED	2	2	2					
10	1	26106-080122	BOLT M 8X 12 PLATED	2	2	2					

Fig.83. DASHBOARD

(A)=EF227E
(B)=EF230E
(C)=EF233E

(D)=
(E)=
(F)=

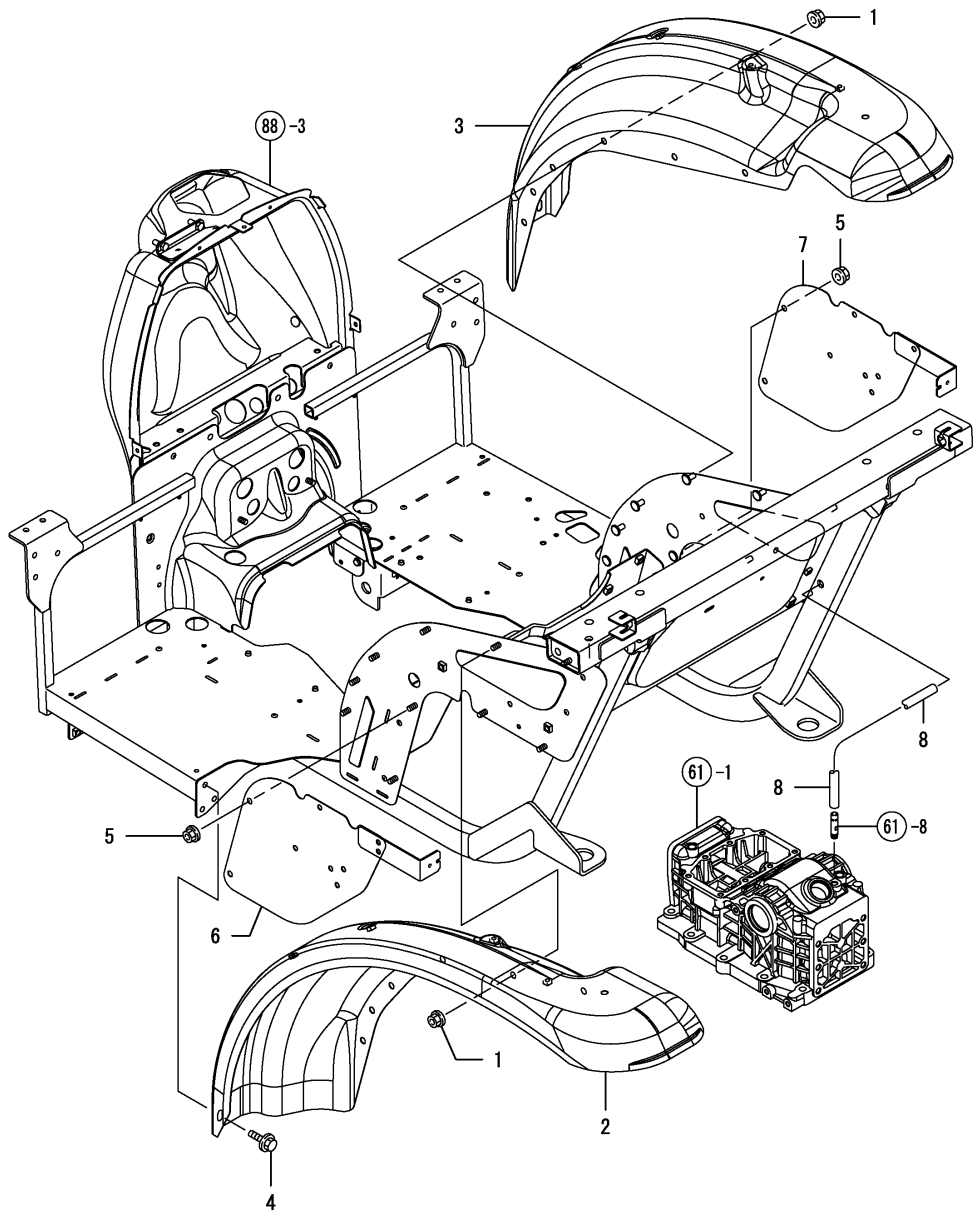


REF.	LEV.	PARTS NO.	DESCRIPTION	Q'TY						I	R
				(A)	(B)	(C)	(D)	(E)	(F)		
1	1	198072-60590	BOLT M6X20	3	3	3					
2	1	198282-61590	DASHBOARD M ASSY	1	1	1					
3	1	198200-61620	TRIM, 920	1	1	1					
4	1	198071-61890	NUT 6,SPEED	3	3	3					
5	1	198200-63620	CAP, BOLT	1	1	1					
6	1	198461-60590	BOLT 6* 20	5	5	5					
7	1	198282-61680	COLUMN R M ASSY	1	1	1					
8	1	198071-61890	NUT 6,SPEED	2	2	2					

Fig.85. FENDER

(A)=EF227E
(B)=EF230E
(C)=EF233E

(D)=
(E)=
(F)=

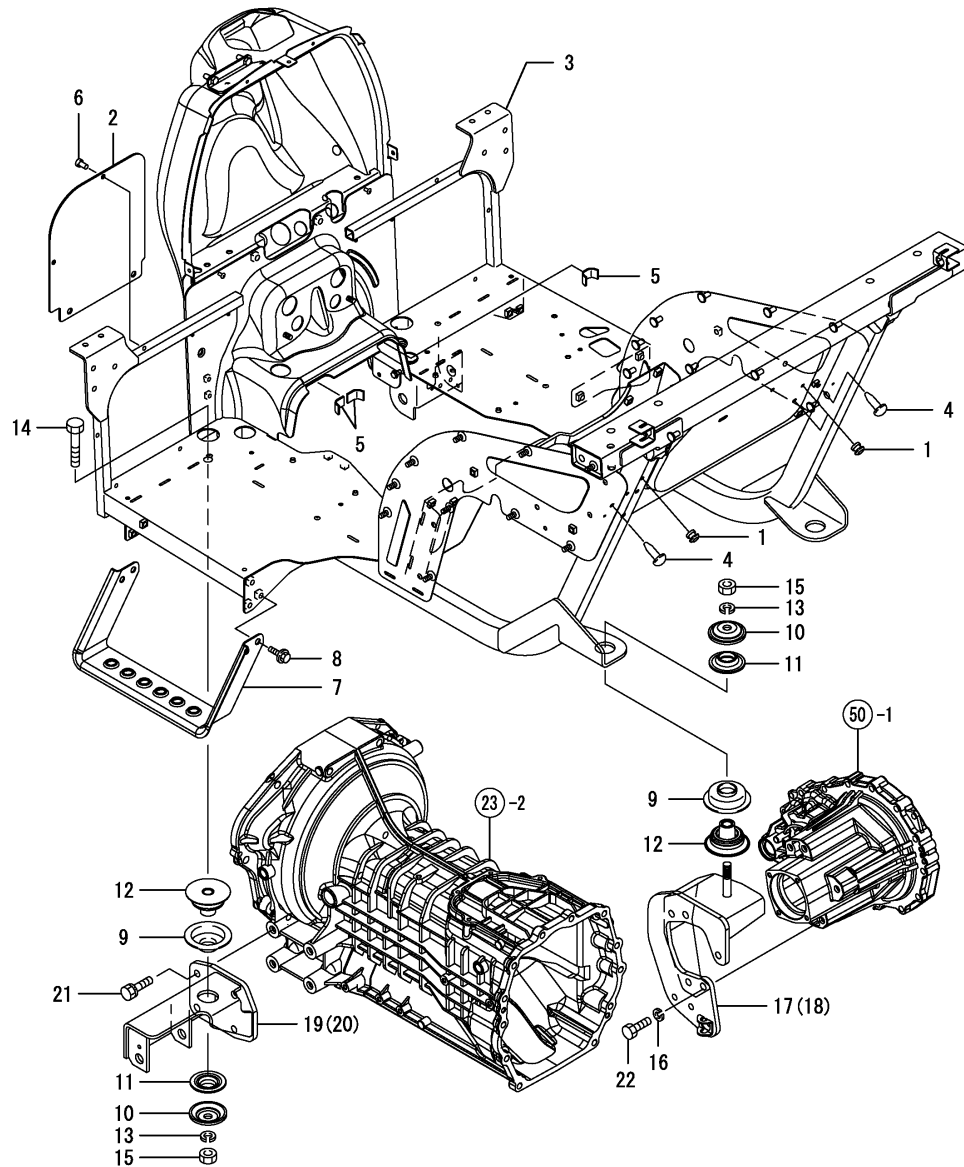


REF.	LEV.	PARTS NO.	DESCRIPTION	Q'TY						I	R
				(A)	(B)	(C)	(D)	(E)	(F)		
1	1	194990-22140	NUT W/WASHER 8	12	12	12					
2	1	198206-62101	FENDER ASSY,L	1	1	1					
3	1	198206-62111	FENDER ASSY, R	1	1	1					
4	1	26106-080162	BOLT M 8X 16 PLATED	2	2	2					
5	1	194990-22140	NUT W/WASHER 8	8	8	8					
6	1	198280-62210	COVER, L LOWER	1	1	1					
7	1	198280-62220	COVER, R LOWER	1	1	1					
8	1	198121-63560	PIPE,AIR-BREATHER320	1	1	1					

Fig.88. FLOOR

(A)=EF227E
(B)=EF230E
(C)=EF233E

(D)=
(E)=
(F)=



REF.	LEV.	PARTS NO.	DESCRIPTION	Q'TY						I	R
				(A)	(B)	(C)	(D)	(E)	(F)		
1	1	1C6053-26020	CAP, RUBBER	3	3	3					
2	1	198200-62300	GUARD, DUST FOOT	2	2	2					
3	1	198280-62490	FLOOR M ASSY	1	1	1					
4	1	1E6760-74150	CAP 8,HOLE	2	2	2					
5	1	198093-84810	SEAL,FENDER	3	3	3					
6	1	197810-84840	RIVET	2	2	2					
7	1	198200-62560	SUB-STEP,	1	1	1					
8	1	26106-080162	BOLT M 8X 16 PLATED	4	4	4					
9	1	198071-62900	STOPPER,MOUNT	4	4	4					
10	1	198200-62910	STOPPER, U	4	4	4					
11	1	198200-62970	MOUNT, UPPER	4	4	4					
12	1	198200-62990	MOUNT, LOWER	4	4	4					
13	1	22217-140000	SPRING WASHER 14	4	4	4					
14	1	26116-140752	BOLT M14X 75 PLATED	2	2	2					
15	1	26716-140002	NUT M14	4	4	4					
16	1	194274-13580	SPRING WASHER 12	10	10	10					
17	1	198280-62630	MOUNT ASSY, REAR L	1	1	1					
18	1	198280-62640	MOUNT ASSY, REAR R	1	1	1					
19	1	198280-62850	MOUNT ASSY, FRONT L	1	1	1					
20	1	198280-62860	MOUNT ASSY, FRONT R	1	1	1					
21	1	26013-120402	BOLT M12X 40	8	8	8					
22	1	26116-120402	BOLT M12X 40	10	10	10					

Fig.89. DRIVER SEAT

(A)=EF227E
 (B)=EF230E
 (C)=EF233E

(D)=
 (E)=
 (F)=

REF.	LEV.	PARTS NO.	DESCRIPTION	Q'TY						I	R
				(A)	(B)	(C)	(D)	(E)	(F)		
1	1	198282-62910	COVER ASSY,DUST B	1	1	1					
2	1	198282-63110	SEAT CMP	1	1	1					
3	1	26106-080122	BOLT M 8X 12 PLATED	6	6	6					
4	1	26106-080162	BOLT M 8X 16 PLATED	4	4	4					

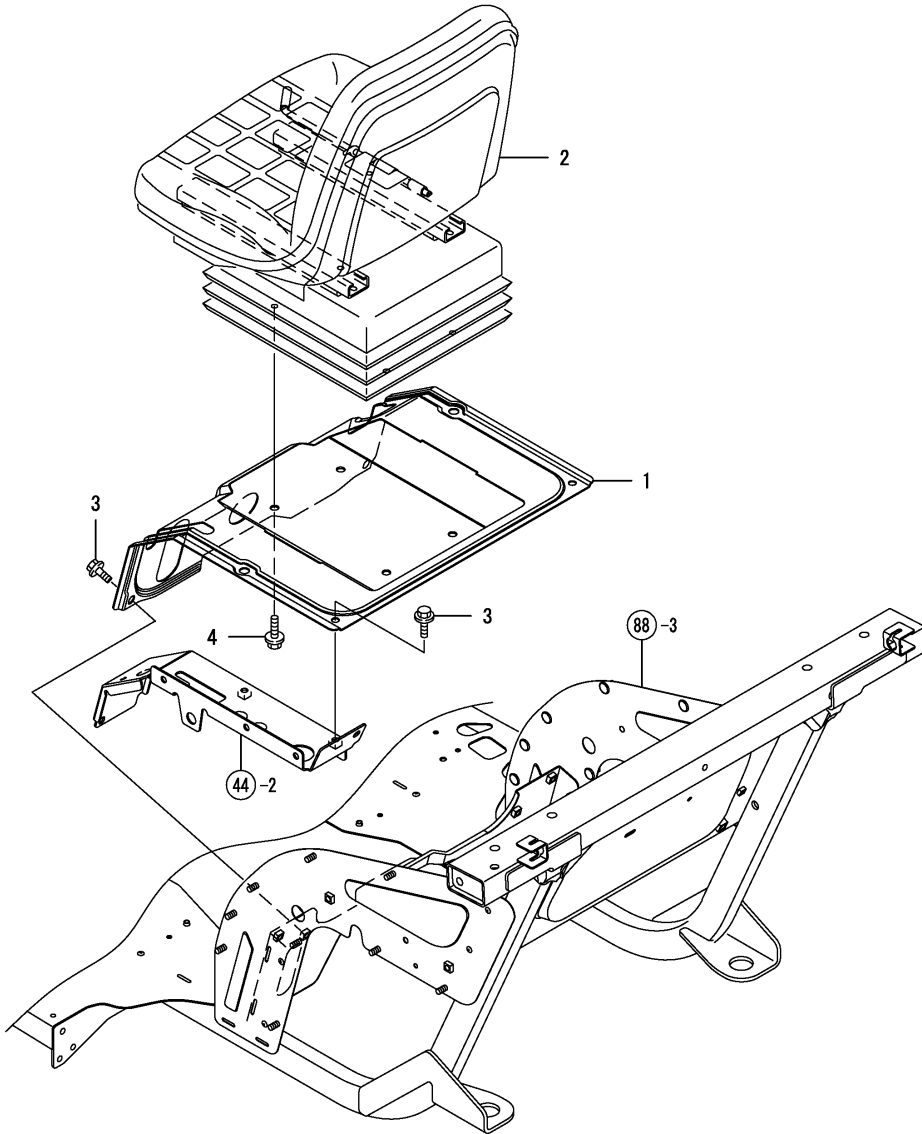
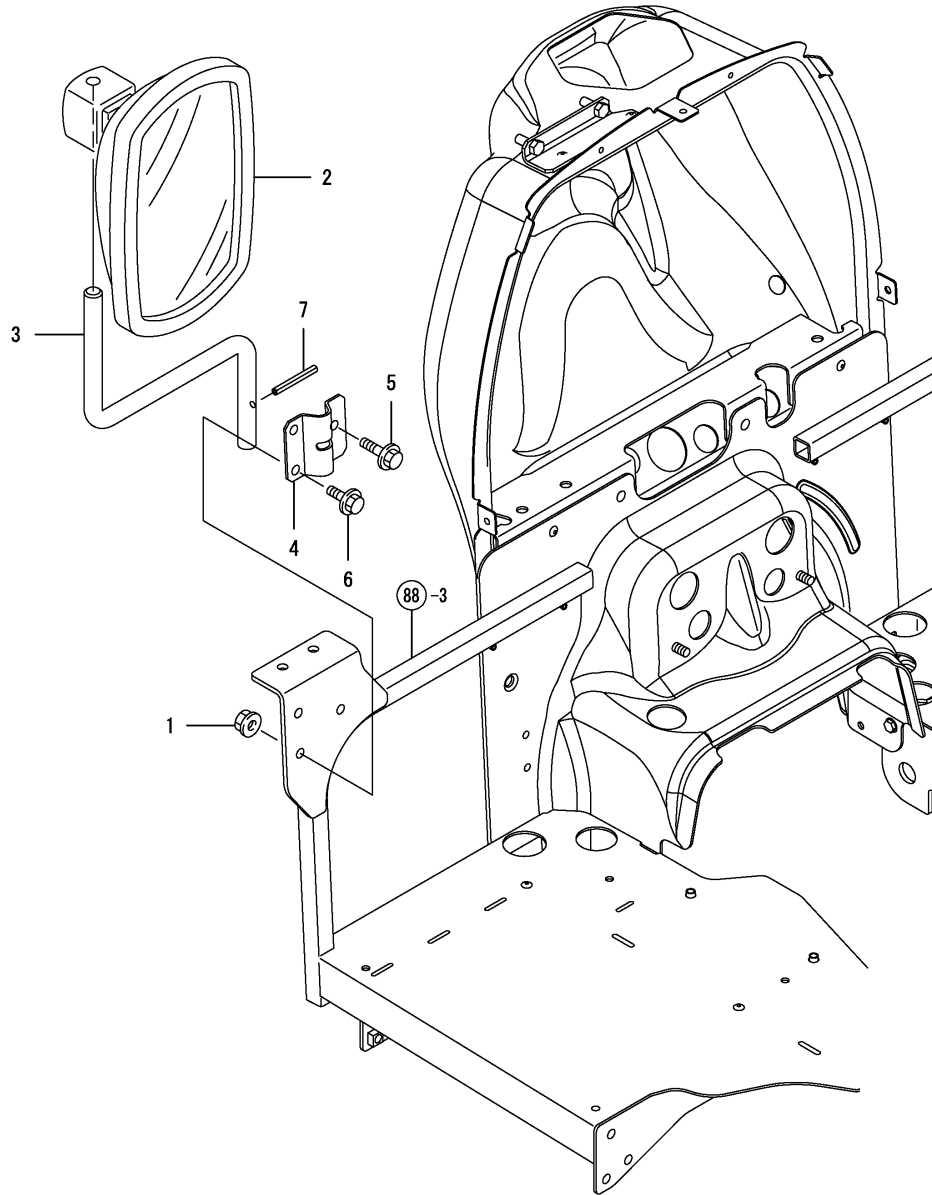


Fig.90. BACK MIRROR

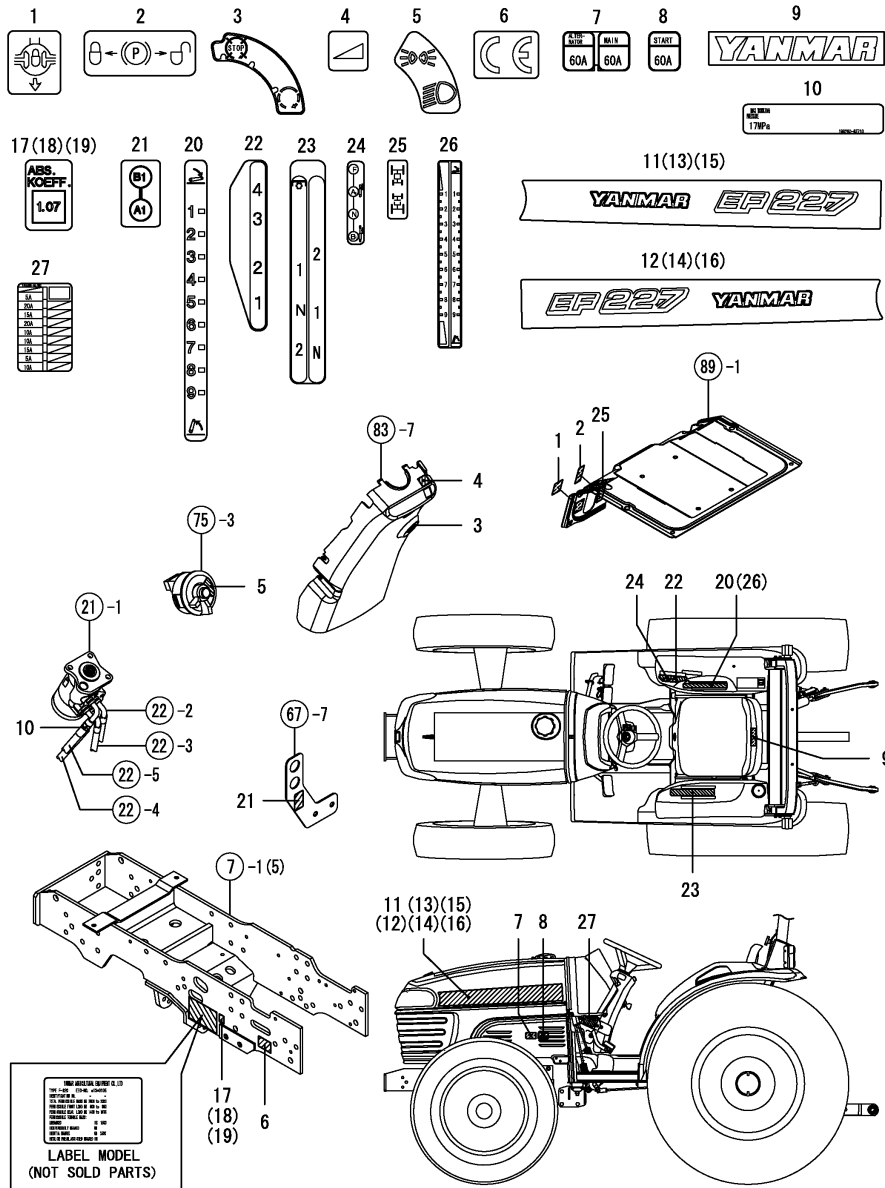
(A)=EF227E
(B)=EF230E
(C)=EF233E

(D)=
(E)=
(F)=



REF.	LEV.	PARTS NO.	DESCRIPTION	Q'TY						I	R
				(A)	(B)	(C)	(D)	(E)	(F)		
1	1	194990-22140	NUT W/WASHER 8	1	1	1					
2	1	1A7100-64110	MIRROR ASSY	1	1	1					
3	1	198280-64120	SHAFT, MIRROR	1	1	1					
4	1	198280-64150	STAY, MIRROR	1	1	1					
5	1	198093-82510	BOLT M8X25,COLLAR	1	1	1					
6	1	198460-83350	BOLT M8X16,BC COLLAR	2	2	2					
7	1	22351-060032	SPRING PIN 6X32	1	1	1					

Fig.91. LABELS



(A)=EF227E
(B)=EF230E
(C)=EF233E

(D)=
(E)=
(F)=

REF.	LEV.	PARTS NO.	DESCRIPTION	Q'TY						I	R
				(A)	(B)	(C)	(D)	(E)	(F)		
1	1	194240-65441	LABEL, DIFF. LOCK	1	1	1					
2	1	198036-65470	LABEL, BRAKE LOCK	1	1	1					
3	1	1A6640-65510	LABEL,KEY SWITCH	1	1	1					
4	1	1A6640-65530	LABEL,THROTTLE	1	1	1					
5	1	198280-65580	LABEL,	1	1	1					
6	1	198165-65590	DECAL,CE	1	1	1					
7	1	198280-65770	LABEL,	1	1	1					
8	1	198280-65790	LABEL,	1	1	1					
9	1	198208-65890	LABEL, ROOF	1	1	1					
10	1	198280-65710	LABEL, H.P. HOSE	4	4	4					
11	1	198280-65110	LABEL, NAME	1							
12	1	198280-65120	LABEL, NAME	1							
13	1	198282-65110	LABEL, NAME			1					
14	1	198282-65120	LABEL, NAME			1					
15	1	198284-65110	LABEL, NAME						1		
16	1	198284-65120	LABEL, NAME						1		
17	1	198280-65570	LABEL,	1							
18	1	198282-65570	LABEL,			1					
19	1	198284-65570	LABEL,						1		
20	1	198280-65510	LABEL, POSITION	1	1	1					
21	1	198280-65640	LABEL,SCV COUPLER	1	1	1					
22	1	198282-65650	LABEL, NAIN SHIFT	1	1	1					
23	1	198282-65670	LABEL, RANGE-PTO	1	1	1					
24	1	198282-65690	LABEL,	1	1	1					
25	1	198221-65740	LABEL, MFWD	1	1	1					
26	1	198282-65520	LABEL, LIFT	1	1	1					1
27	1	198280-65780	LABEL,	1	1	1					

Remarks
(1) FOR TYPE DRAFT

Fig.92. LABELS (SAFETY)

(A)=EF227E

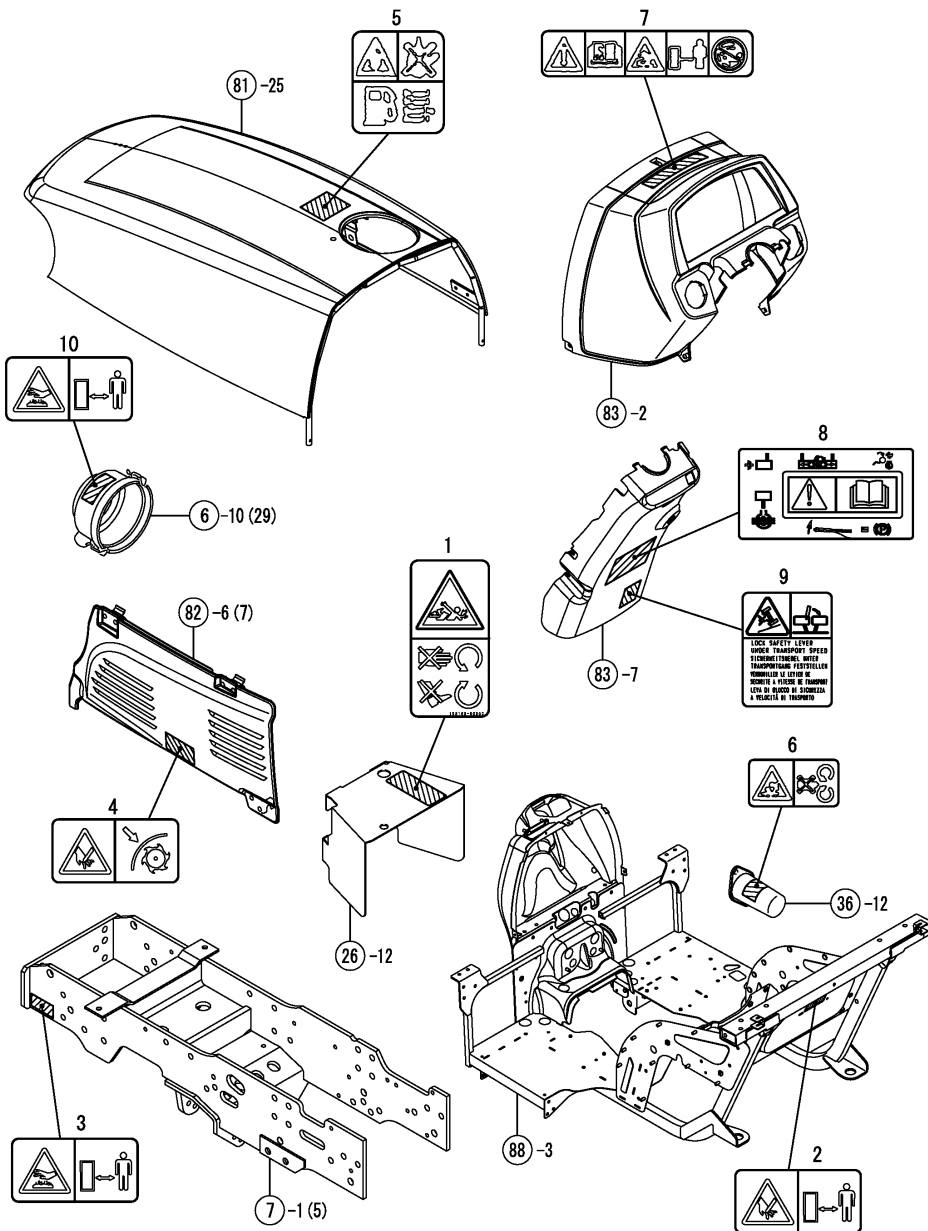
(B)=EF230E

(C)=EF233E

(D)=

(E)=

(F)=

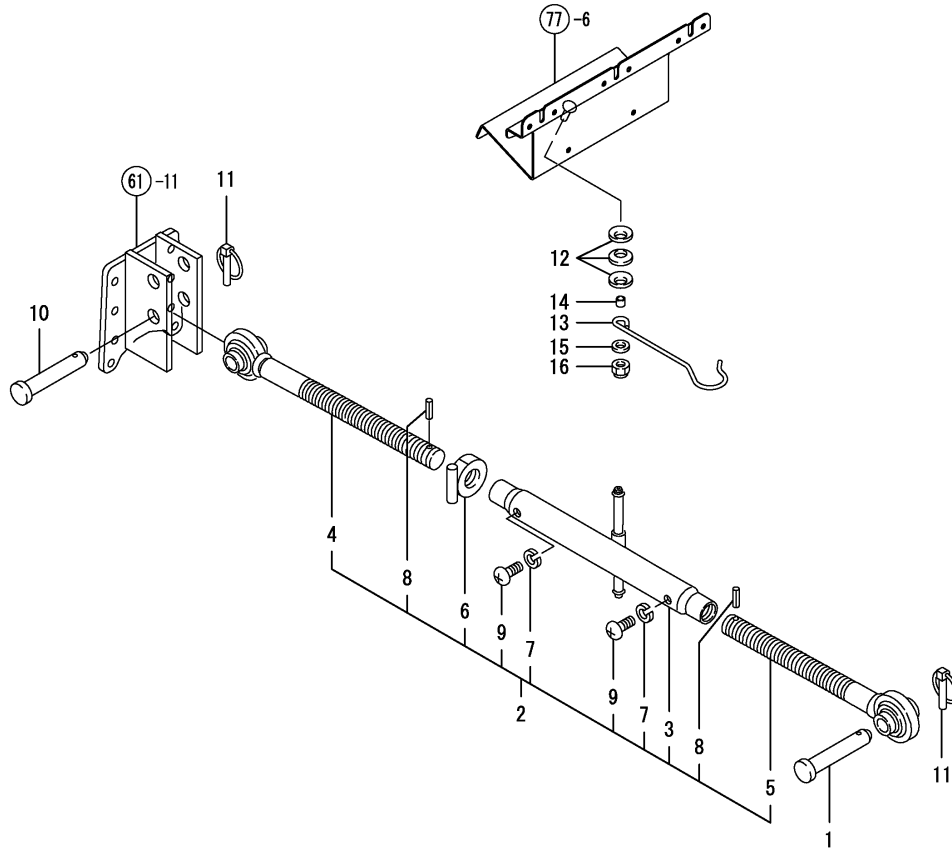


REF.	LEV.	PARTS NO.	DESCRIPTION	Q'TY						I	R
				(A)	(B)	(C)	(D)	(E)	(F)		
1	1	198163-65350	DANGER,ROTAT.SHAFT	1	1	1					
2	1	198280-65610	LABEL,3P	1	1	1					
3	1	198163-65930	CAUTION,MUFFLER	1	1	1					
4	1	198163-65940	CAUTION,SAFETY COVER	2	2	2					
5	1	1A6150-91251	LABEL,RAKE CAUTION	1	1	1					
6	1	1A6150-93151	LABEL,COVER	1	1	1					
7	1	198163-65310	LABEL, SAFETY	1	1	1					
8	1	198282-65300	LABEL,OPERATION G	1	1	1					
9	1	198163-65780	LABEL,BRAKE COUPLING	1	1	1					
10	1	198163-65930	CAUTION,MUFFLER	1	1	1					

Fig.93. TOP LINK

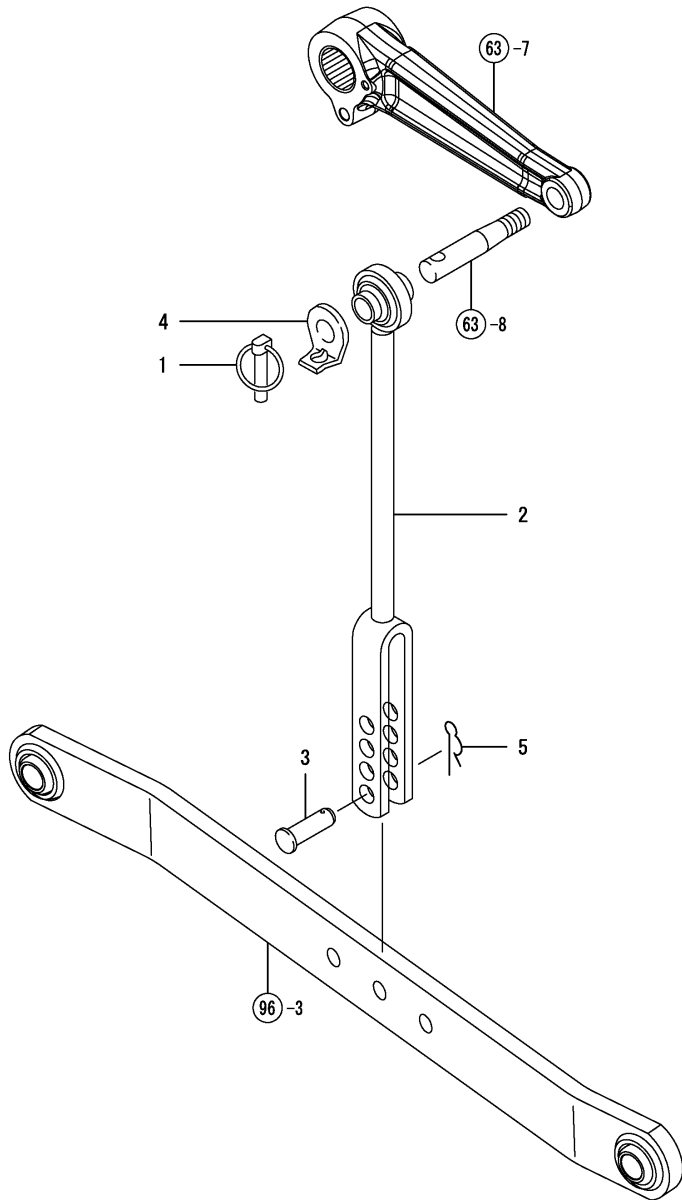
(A)=EF227E
(B)=EF230E
(C)=EF233E

(D)=
(E)=
(F)=



REF.	LEV.	PARTS NO.	DESCRIPTION	Q'TY						I	R
				(A)	(B)	(C)	(D)	(E)	(F)		
1	1	195080-15060	PIN, HITCH	1	1	1					
2	1	198220-71100	LINK ASSY, TOP	1	1	1					
3	2	194275-71500	BODY, TOP LINK	1	1	1					
4	2	194145-71600	LINK (R), TOP	1	1	1					
5	2	194145-71700	LINK (L), TOP	1	1	1					
6	2	198092-71750	NUT 24, CMP	1	1	1					
7	2	22217-060000	SPRING WASHER 6	2	2	2					
8	2	22351-040024	SPRING PIN 4X24	2	2	2					
9	2	26557-060062	SCREW M 6X 6	2	2	2					
10	1	194150-71230	PIN, TOP LINK	1	1	1					
11	1	794130-71410	PIN ASSY, BALL SOCKET	2	2	2					
12	1	198072-18320	SPRING 12	3	3	3					
13	1	198280-71710	HOOK, TOP LINK	1	1	1					
14	1	198092-71720	COLLAR, 8.1X10.5X9.3	1	1	1					
15	1	22137-080000	WASHER 8, POLISHED	1	1	1					
16	1	26346-080002	U-NUT M 8 PLATED	1	1	1					

Fig.95. LIFT LINK (L



0CNP4-G43700 95. LIFT LINK (L

(A)=EF227E
(B)=EF230E
(C)=EF233E

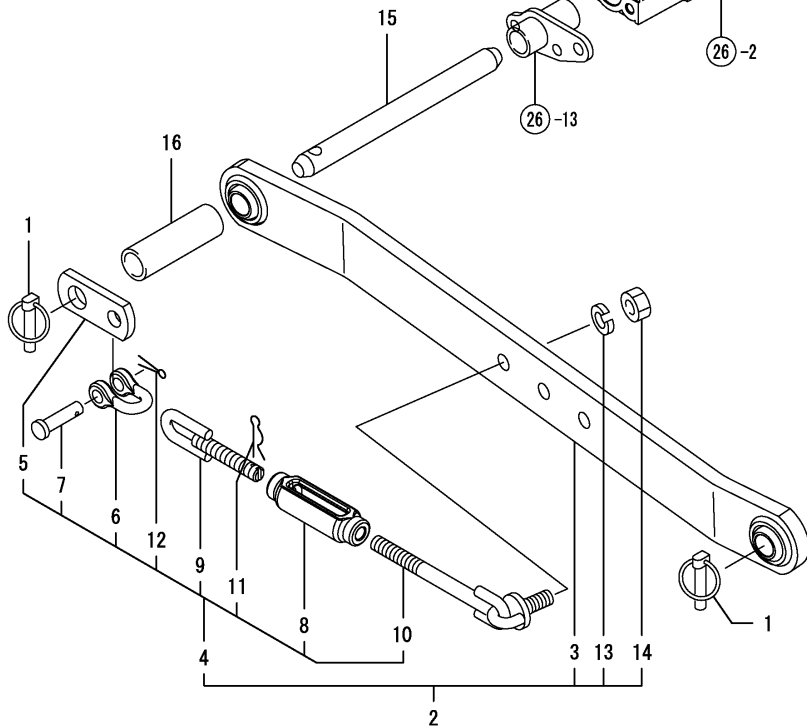
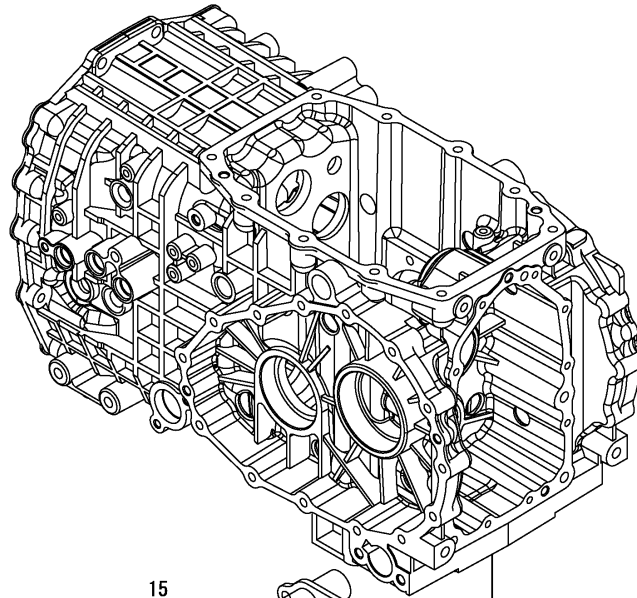
(D)=
(E)=
(F)=

REF.	LEV.	PARTS NO.	DESCRIPTION	Q'TY						I	R
				(A)	(B)	(C)	(D)	(E)	(F)		
1	1	794130-71410	PIN ASSY,BALL SOCKET	1	1	1					
2	1	198200-72300	LINK ASSY, LIFT L.H.	1	1	1					
3	1	194150-72460	PIN, LIFT YOKE	1	1	1					
4	1	198071-74970	COLLAR,BALL & SOCKET	1	1	1					
5	1	22372-160000	SNAP PIN 16	1	1	1					

Fig.96. LOWER LINK & CHECK CHAIN

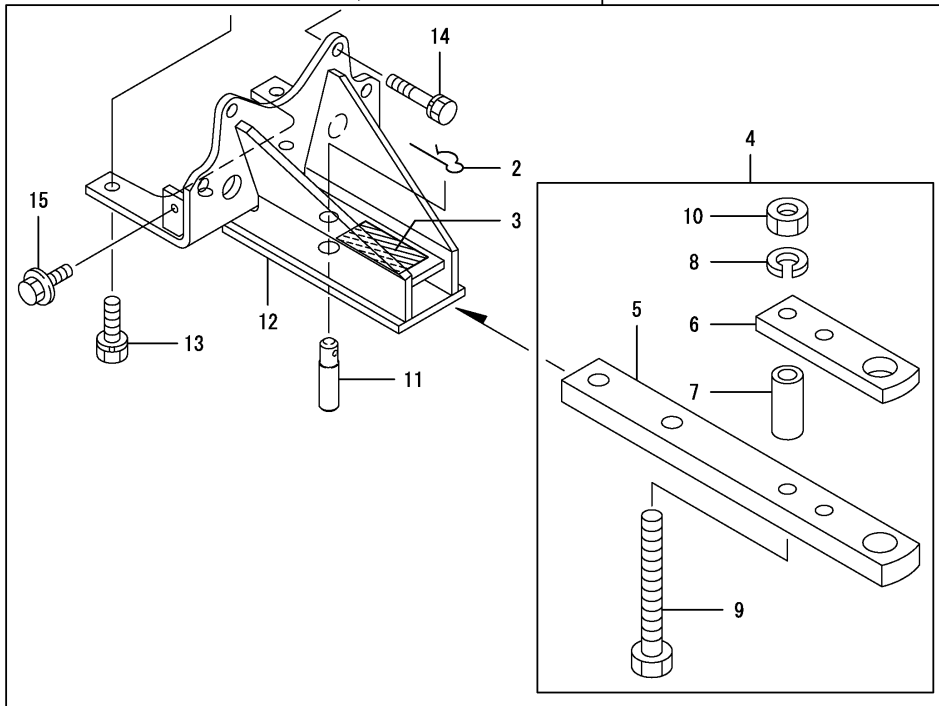
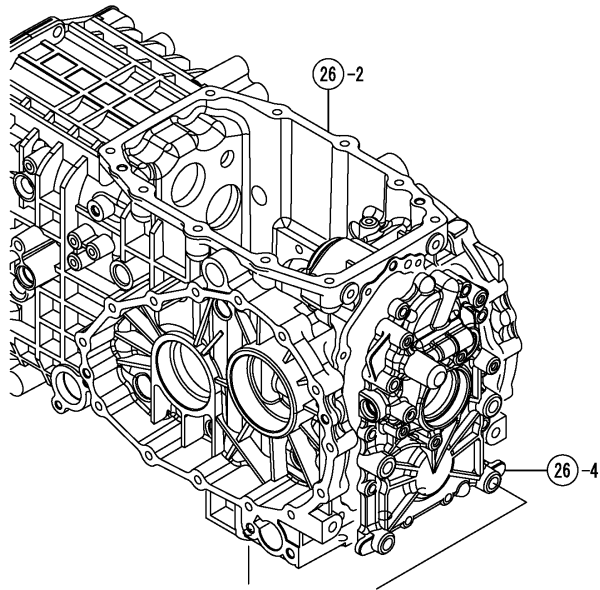
(A)=EF227E
(B)=EF230E
(C)=EF233E

(D)=
(E)=
(F)=



REF.	LEV.	PARTS NO.	DESCRIPTION	Q'TY						I	R
				(A)	(B)	(C)	(D)	(E)	(F)		
1	1	794130-71410	PIN ASSY,BALL SOCKET	4	4	4					
2	1	198280-73100	LINK & CHAIN KIT,	2	2	2					
3	2	198280-73500	LINK ASSY, LOWER	2	2	2					
4	2	198280-74100	CHAIN ASSY, CHECK	2	2	2					
5	3	198280-74550	HINGE, CHAIN	2	2	2					
6	3	194080-74621	BODY (SA10), SHACKLE	2	2	2					
7	3	194080-74631	PIN (SA10), SHACKLE	2	2	2					
8	3	198360-74670	TURNBUCKLE, CHAIN	2	2	2					
9	3	198121-74720	BOLT	2	2	2					
10	3	198280-74800	CHAIN,SWAY(R)	2	2	2					
11	3	22360-200000	SNAP PIN 20	2	2	2					
12	3	22417-320320	COTTER PIN 3.2X32	2	2	2					
13	2	22217-140000	SPRING WASHER 14	2	2	2					
14	2	26716-140002	NUT M14	2	2	2					
15	1	198200-73150	PIN, LOWER LINK	2	2	2					
16	1	198200-73210	COLLAR,	2	2	2					

Fig.97. DRAWBAR HITCH



(A)=EF227E
(B)=EF230E
(C)=EF233E

(D)=
(E)=
(F)=

REF.	LEV.	PARTS NO.	DESCRIPTION	Q'TY						I	R
				(A)	(B)	(C)	(D)	(E)	(F)		
1	1	198280-75700	HITCH KIT,DRAWBER	1	1	1					
2	2	195230-17260	PIN 22, SNAP	1	1	1					
3	2	198280-65210	LABEL,	1	1	1					
4	2	198280-75200	DRAWBER ASSY,	1	1	1					
5	3	198280-75210	DRAWBER	1	1	1					
6	3	198280-75250	PLATE,CLEVIS	1	1	1					
7	3	198280-75260	SPACER,CLEVIS	2	2	2					
8	3	22217-160000	SPRING WASHER 16	2	2	2					
9	3	26116-161302	BOLT M16X130 PLATED	2	2	2					
10	3	26716-160002	NUT M16	2	2	2					
11	2	198253-75430	PIN, HITCH	1	1	1					
12	2	198280-75750	BRACKET ASSY,DRAWBER	1	1	1					
13	2	26013-120352	BOLT M12X 35	5	5	5					
14	2	26013-120652	BOLT M12X 65	2	2	2					
15	2	26106-100202	BOLT M10X 20 PLATED	2	2	2					

Fig.99. SAFETY FRAME (REAR

(A)=EF227E
(B)=EF230E
(C)=EF233E

(D)=
(E)=
(F)=

REF.	LEV.	PARTS NO.	DESCRIPTION	Q'TY						I	R
				(A)	(B)	(C)	(D)	(E)	(F)		
1	1	198280-85100	FRAME ASSY, UPPER	1	1	1					
2	1	198280-85150	FRAME ASSY, LOW	1	1	1					
3	1	198280-85160	FRAME ASSY, R LOW	1	1	1					
4	1	198200-85400	BOLT, 16 X 85	2	2	2					
5	1	198280-85410	HANDLE ASSY,	2	2	2					
6	1	198163-85630	KNOB M16	2	2	2					
7	1	198280-85710	FRAME ASSY,FRONT	1	1	1					
8	1	26013-120352	BOLT M12X 35	10	10	10					
9	1	26106-080202	BOLT M 8X 20 PLATED	4	4	4					
10	1	26106-100652	BOLT M10X 65 PLATED	2	2	2					
11	1	26356-160002	U-NUT M16	2	2	2					
I	12	198162-61370	SEAL E,LADIATOR	2	2	2					W

(A=*2008.06.) (B=*2008.06.) (C=*2008.06.)

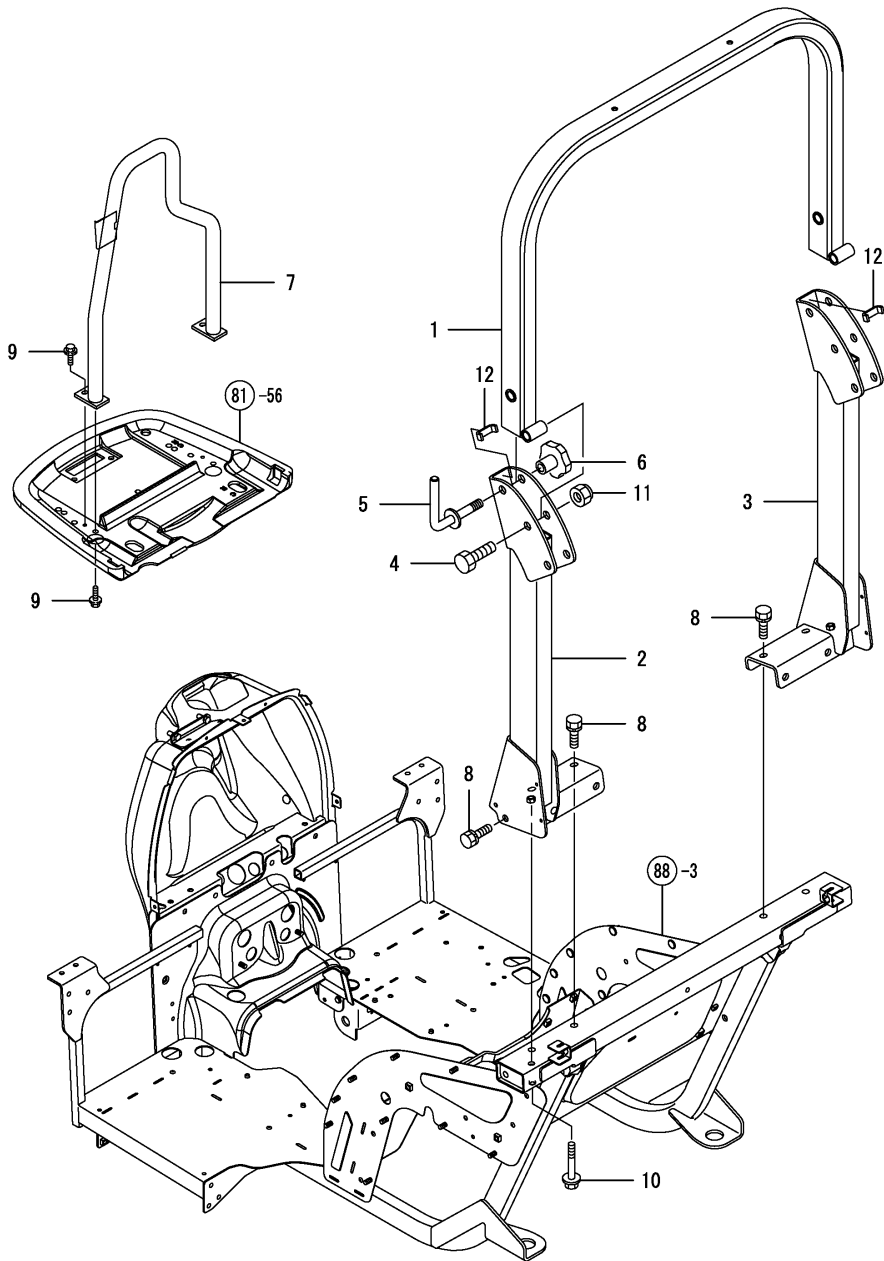
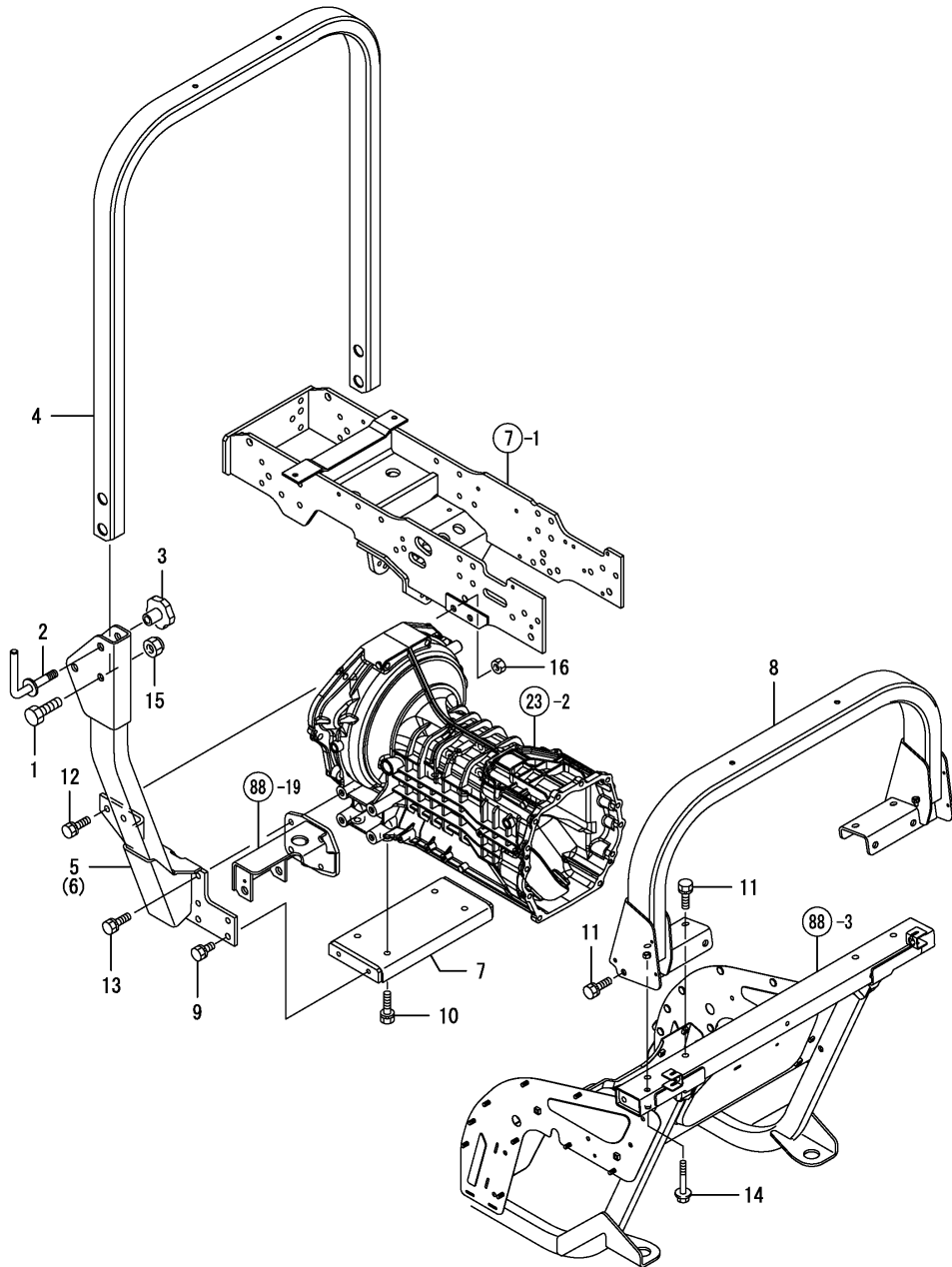


Fig.100. SAFETY FRAME (FRONT



0CNP4-G43700 100. SAFETY FRAME (FRONT

(A)=EF227E
(B)=EF230E
(C)=EF233E

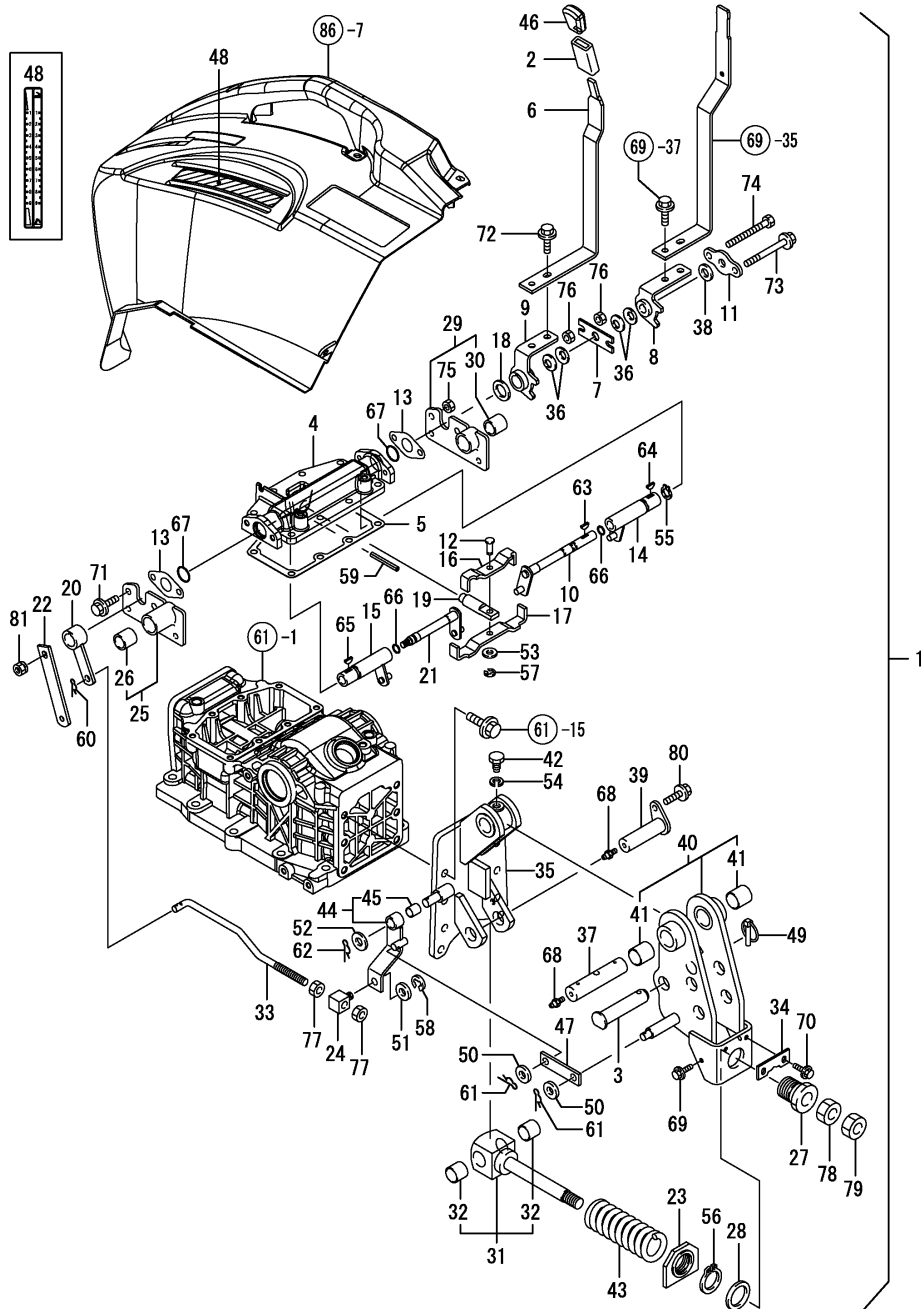
(D)=
(E)=
(F)=

REF.	LEV.	PARTS NO.	DESCRIPTION	Q'TY						I	R
				(A)	(B)	(C)	(D)	(E)	(F)		
1	1	198200-85400	BOLT, 16 X 85	2	2	2					
2	1	198280-85410	HANDLE ASSY,	2	2	2					
3	1	198163-85630	KNOB M16	2	2	2					
4	1	198282-85800	FRAME ASSY,UPPER	1	1	1					
5	1	198282-85820	FRAME L ASSY,MAIN	1	1	1					
6	1	198282-85830	FRAME R ASSY,MAIN	1	1	1					
7	1	198282-85900	PLATE ASSY,UNDER	1	1	1					
8	1	198282-85950	GUARD ASSY, REAR	1	1	1					
9	1	26013-120252	BOLT M12X 25	4	4	4					
10	1	26013-120352	BOLT M12X 35	4	4	4					
11	1	26013-120352	BOLT M12X 35	10	10	10					
12	1	26013-120402	BOLT M12X 40	4	4	4					
13	1	26013-120452	BOLT M12X 45	6	6	6					
14	1	26106-100652	BOLT M10X 65 PLATED	2	2	2					
15	1	26356-160002	U-NUT M16	2	2	2					
16	1	26716-120002	NUT 12	4	4	4					

Fig.103. DRAFT CONTROL

(A)=EF227E
(B)=EF230E
(C)=EF233E

(D)=
(E)=
(F)=



REF.	LEV.	PARTS NO.	DESCRIPTION	Q'TY						I	R
				(A)	(B)	(C)	(D)	(E)	(F)		
1	1	198287-47100	DRAFT CONTROL KIT	1	1	1					
2	2	174845-27700	BOOT, SHAFT	1	1	1					
3	2	195385-27810	PIN 19X80	1	1	1					
4	2	198200-42150	HOUSING, LINK	1	1	1					
5	2	198200-42190	GASKET, LINK HOUSING	1	1	1					
6	2	198200-47120	LEVER, AUTO	1	1	1					
7	2	198287-47150	PLATE, GUIDE	1	1	1					
8	2	198287-47210	ARM, P LEVER	1	1	1					
9	2	198200-47250	ARM, AUTO LEVER	1	1	1					
10	2	198287-47310	SHAFT, P LEVER	1	1	1					
11	2	194170-47320	PLATE	1	1	1					
12	2	198431-47340	PIN,CONTROL	1	1	1					
13	2	194555-47350	PLATE	2	2	2					
14	2	198287-47360	SHAFT, D LEVER	1	1	1					
15	2	198287-47390	SHAFT, D FEEDBACK	1	1	1					
16	2	198200-47411	LINK, P CONTROL	1	1	1					
17	2	198200-47431	LINK, D CONTROL	1	1	1					
18	2	194170-47440	PLATE, FRICTION	1	1	1					
19	2	198200-47460	ROD, CONTROL	1	1	1					
20	2	198287-47470	ARM,D FEEDBACK	1	1	1					
21	2	198200-47500	SHAFT, P FEEDBACK	1	1	1					
22	2	198200-47510	ARM, P FEEDBACK	1	1	1					
23	2	198287-47510	HOLDER,SPRING	1	1	1					
24	2	194550-47530	ADJUSTER	1	1	1					
25	2	198280-47550	STAY ASSY,P BRAKE	1	1	1					
26	3	24550-020200	BUSH 20X20,DRY	1	1	1					
27	2	198287-47550	BOLT,ADJUST	1	1	1					
28	2	198287-47570	SPACER	1	1	1					
29	2	198280-47580	STAY ASSY,P BRAKE	1	1	1					
30	3	24550-020200	BUSH 20X20,DRY	1	1	1					
31	2	198287-47600	BOLT ASSY, SET	1	1	1					
32	3	194640-47720	BUSH 20X23X20	2	2	2					
33	2	198287-47660	ROD,FEEDBACK	1	1	1					
34	2	198287-47680	PLATE,	1	1	1					
35	2	198287-47720	SUPPORT,HING	1	1	1					
36	2	194151-47760	WASHER 12	4	4	4					
37	2	194320-47760	PIN 22	1	1	1					
38	2	194310-47790	PLATE, FRICTION	1	1	1					
39	2	194640-47790	PIN, HINGE	1	1	1					
40	2	198287-47800	HING ASSY,	1	1	1					
41	3	194190-11520	BUSH 25X25	2	2	2					
42	2	194320-47860	BOLT	1	1	1					
43	2	198172-47890	SPRING	1	1	1					
44	2	198287-47900	LINK ASSY,D	1	1	1					
45	3	24550-012150	BUSH 12X15	1	1	1					
46	2	194273-47910	KNOB	1	1	1					
47	2	198287-47960	PLATE,LINK	1	1	1					
48	2	198282-65520	LABEL, LIFT	1	1	1					
49	2	194180-72950	PIN ASSY, LOCK	1	1	1					
50	2	22117-100000	WASHER 10	2	2	2					
51	2	22117-100000	WASHER 10	1	1	1					

N:Old \xrightarrow{Yes} New, Q:Old \xrightarrow{No} New, R:Old \xrightarrow{Yes} New, S:Old \xrightarrow{No} New, W:Add, Z:Discontinued, F:Interchangeable by set, K:Q'ty Change
 ++ CONTINUE ++
 (C)Copy Rights YANMAR CO.,LTD.

Fig.103. DRAFT CONTROL

(A)=EF227E

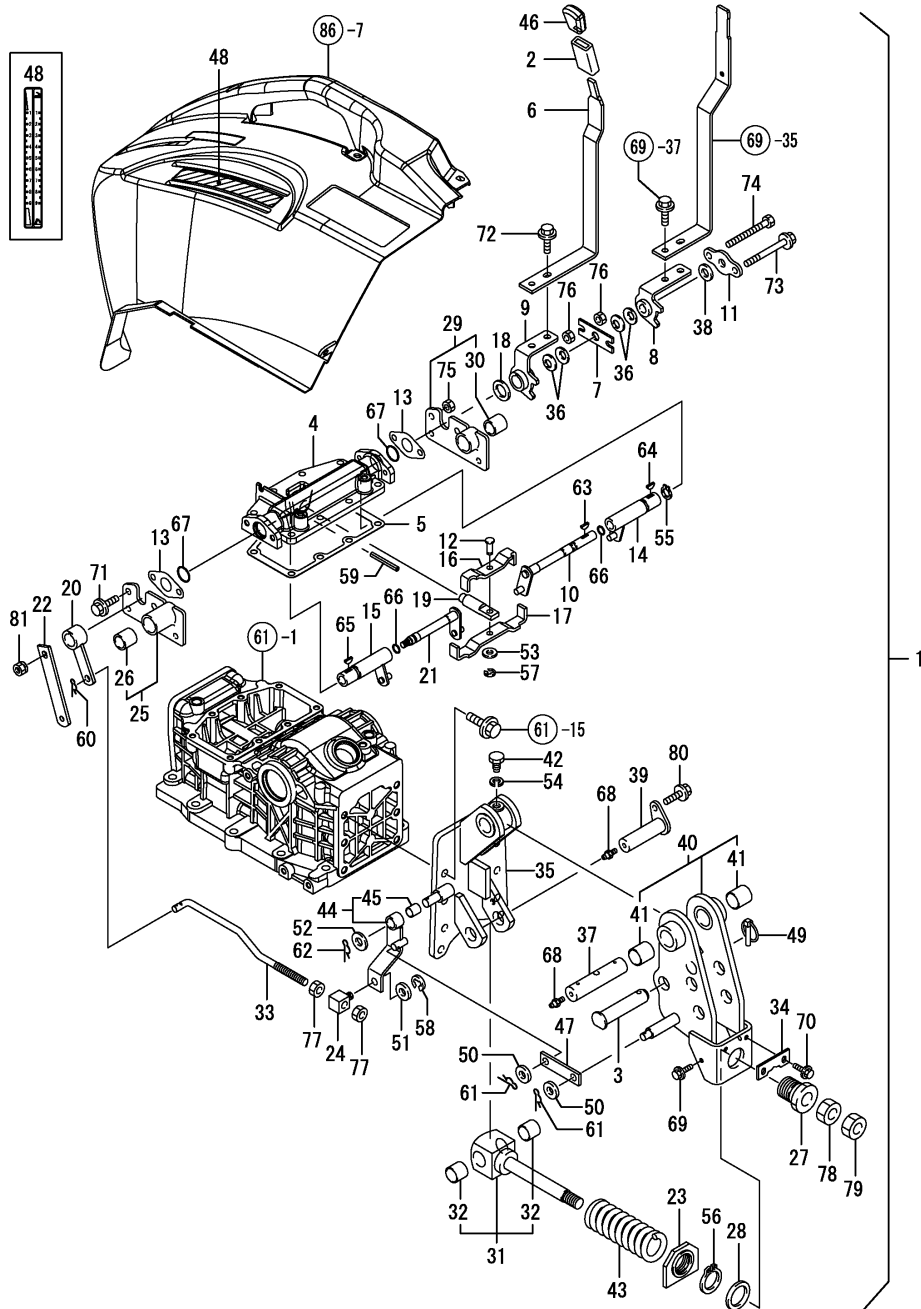
(B)=EF230E

(C)=EF233E

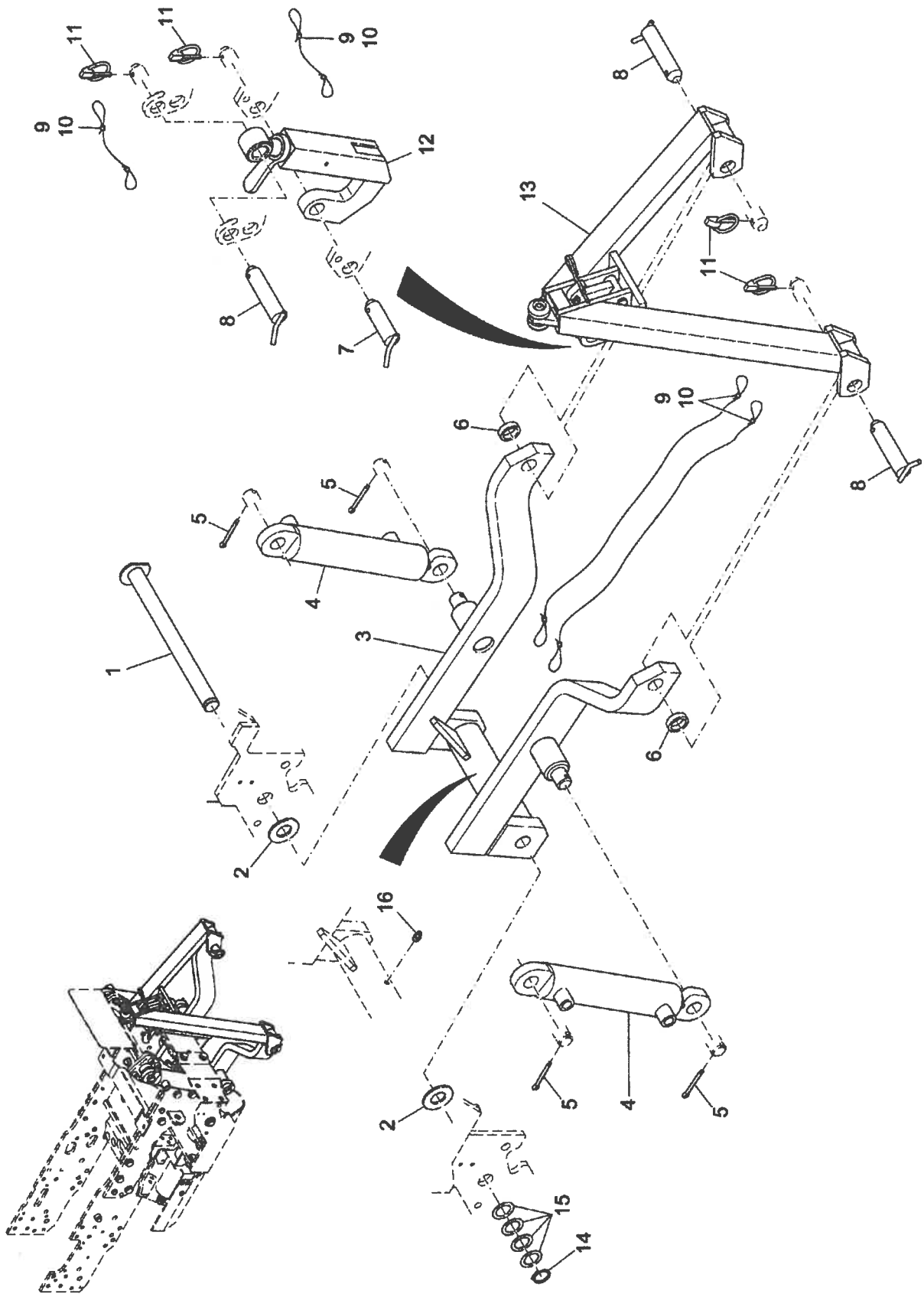
(D)=

(E)=

(F)=

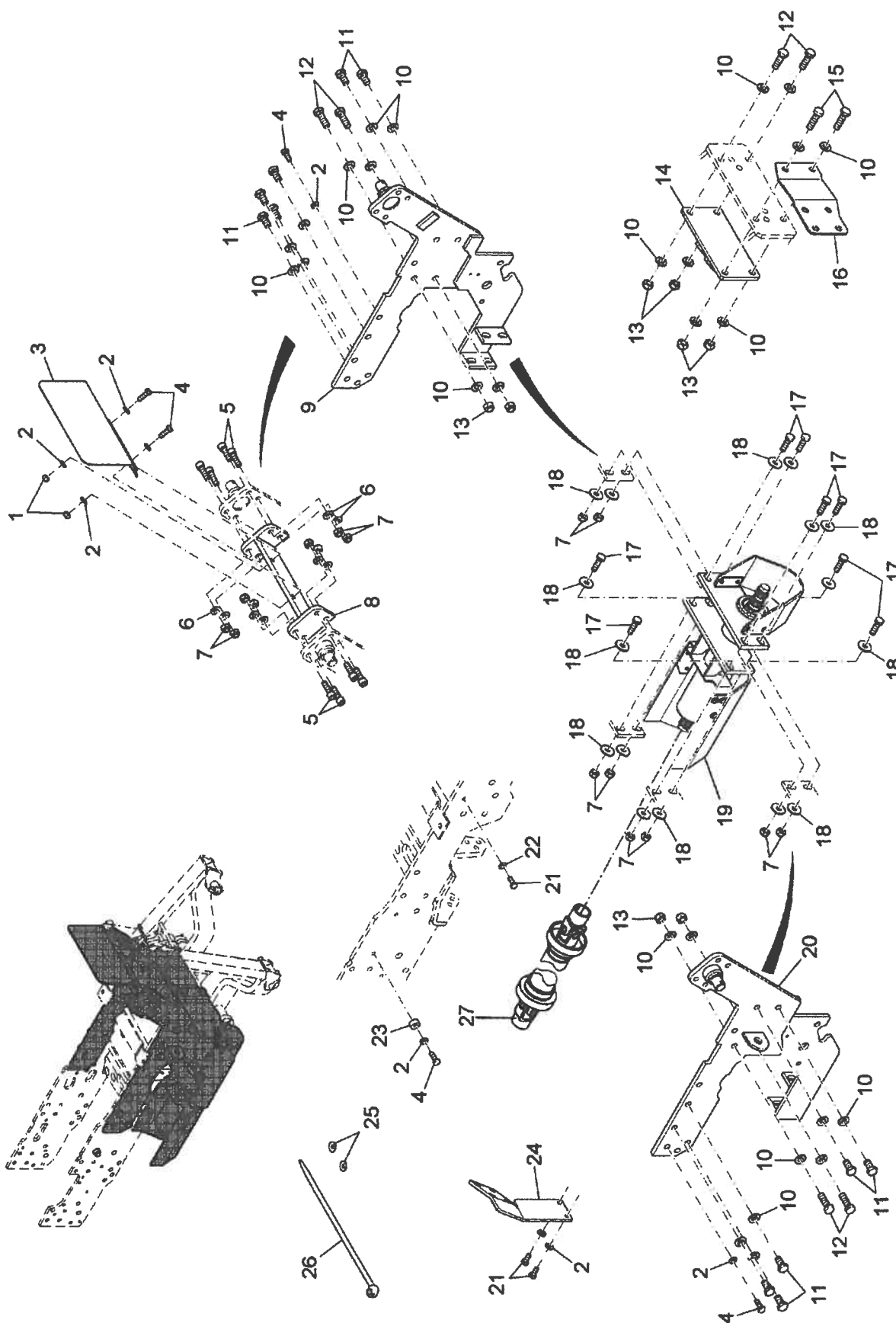


REF.	LEV.	PARTS NO.	DESCRIPTION	Q'TY						I	R
				(A)	(B)	(C)	(D)	(E)	(F)		
52	2	22117-120000	WASHER 12	1	1	1					
53	2	22137-080000	WASHER 8, POLISHED	1	1	1					
54	2	22217-100000	SPRING WASHER 10	1	1	1					
55	2	22242-000120	CIRCLIP 12	1	1	1					
56	2	22242-000300	CIRCLIP 30	1	1	1					
57	2	22272-000060	CIRCLIP E- 6	1	1	1					
58	2	22272-000070	CIRCLIP E- 7	1	1	1					
59	2	22351-060050	SPRING PIN 6X50	1	1	1					
60	2	22372-080000	SNAP PIN (JASO 8)	1	1	1					
61	2	22372-100000	SNAP PIN 10	2	2	2					
62	2	22372-100000	SNAP PIN 10	1	1	1					
63	2	22522-030130	WOODRUFF KEY 3X13	1	1	1					
64	2	22522-030130	WOODRUFF KEY 3X13	1	1	1					
65	2	22522-030130	WOODRUFF KEY 3X13	1	1	1					
66	2	24311-000090	O-RING 1A P-9.0	2	2	2					
67	2	24311-000200	O-RING 1A P-20.0	2	2	2					
68	2	24761-010000	NIPPLE M6F, GREASE	2	2	2					
69	2	26106-060102	BOLT 6X 10 PLATED	2	2	2					
70	2	26106-060122	BOLT M 6X 12 PLATED	2	2	2					
71	2	26106-080162	BOLT M 8X 16 PLATED	2	2	2					
72	2	26106-080162	BOLT M 8X 16 PLATED	2	2	2					
73	2	26106-080752	BOLT M 8X 75 PLATED	1	1	1					
74	2	26116-080754	BOLT M 8X 75 PLATED	1	1	1					
75	2	26716-080002	NUT M 8	2	2	2					
76	2	26716-080002	NUT M 8	2	2	2					
77	2	26716-100002	NUT 10	2	2	2					
78	2	26716-160002	NUT M16	1	1	1					
79	2	26756-160002	LOCK NUT M16 PLATED	1	1	1					
80	2	26106-080102	BOLT M 8X 10 PLATED	1	1	1					
81	2	194990-22050	NUT W/WASHER 8	1	1	1					



Pos	Ersatzteilnummer	Materialnummer	Benennung	Menge

1	01183570	96718754	Bolzen	1
2	01183510	90764259	Scheibe	2
3	01183560	96718002	Unterenker	1
4	01181980	90801135	Hydraulikzylinder	2
5	00027880	13280342	Splint	4
6	00921130	90160862	Ring	2
7	01043640	96710223	Steckbolzen	1
8	00921340	96034202	Steckbolzen	3
9	00500220	17523010	Pressklemme	8
10	00500210	22104038	Rundlitzenseil	1
11	00710090	13850078	Klappstecker	4
12	99351800BT20-1		Oberlenker	1
13	01031610	97708788	Kuppeldreieck	1
14	00125360	12610051	Sicherungsring	1
15	00694780	12335493	Pass-Scheibe	4
16	00025910	15715014	Kegelschmiemippel	1



Pos	Ersatzteilnummer	Materialnummer	Benennung	Menge

1	00051510	12040051	6kt.Mutter	2
2	00053750	12310041	Scheibe	7
3	01183540	90803602	Kennzeichenhalter	1
4	00053100	11038247	6kt.Schraube	5
5	XXXXXXXX		noch keine ET-Nummer vergeben	8
6	00053760	12310058	Scheibe	8
7	00132880	12040200	6kt.Mutter	16
8	01183580	96718937	Traverse, kpl.	1
9	01183490	96717970	Flansch links	1
10	00053770	12310066	Scheibe	27
11	00053190	11038460	6kt.Schraube	11
12	00053220	11038494	6kt.Schraube	6
13	00051490	12040077	6kt.Mutter	8
14	01183550	96717897	Flansch Oberlenker	1
15	00121060	11038502	6kt.Schraube	2
16	01183520	90799248	Halter vorn	1
17	00123690	11038387	6kt.Schraube	8
18	00046520	12332037	Scheibe	16
19	01185010	97714265	Gelenkwellenlager	1
20	01183500	96717988	Flansch rechts	1
21	00053090	11038213	6kt.Schraube	3
22	00740310	12520029	Sperrkantscheibe	1
23	01183530	90803545	Buchse	1
24	01183690	90802950	Halteplatte	1
25	00042900	12332029	Scheibe	2
26	00967760	90156688	Kabelbinder	20
27	01182470	90809823	Gelenkwelle	1